

MECHANICAL ROTATRY CONTACTOR COUNTER (CTE-01)

Product Description:

Normally Open (N.O.) reed switch sensor that provides a non-latching contact closure for counting, triggered by a rotary magnet.

Features:

- No power required
- Suitable for DC and AC circuits
- Sensor contacts hermetically sealed for long life
- 3/8 in. diameter double shaft, 1:1 ratio
- Contact closure output
- 10 in. wire leads (24AWG)
- RoHS compliant
- IP65



Environmental Specifications:

Vibration	20 g 10 Hz to 1kHz
Operating Temperature	-40 °C to 105 °C (-40 °F to 221 °F)
Storage Temperature	-40 °C to 105 °C (-40 °F to 221 °F)

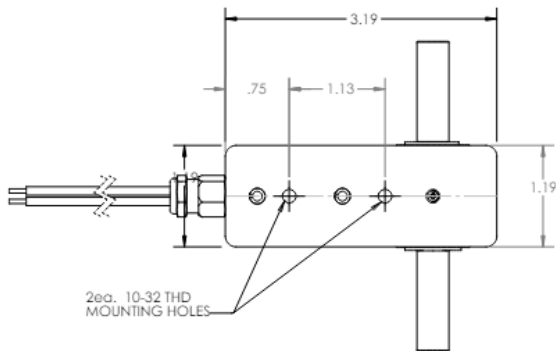
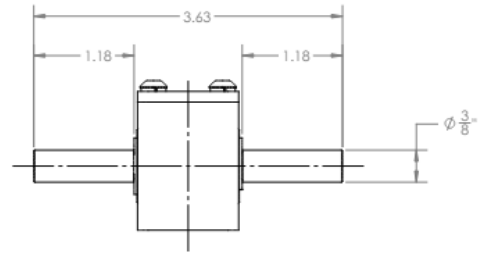
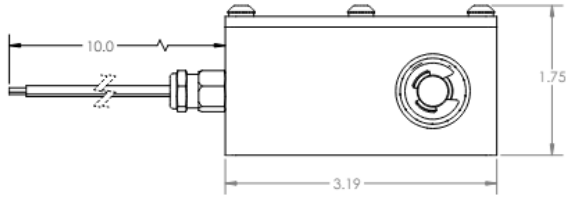
Electrical Specifications:

Typical Operating Time	1 ms
Breakdown Voltage	200 VDC min.
Contact Form	SPST-NO
Maximum Power Rating	10 W
Maximum Switching Voltage	175 VAC/VDC
Maximum Switching Current	0.5 A
Maximum Contact Resistance	0.200 Ω

ACCESSORIES:

Description	Part Number
12" Counter Wheel	CTE-01-006

Dimensions (inches)



CTE-01

