

3900 CHAIR MOUNT PACKAGE

Forest

DENTALEZ



*A SMART INVESTMENT,
DESIGNED BY YOU*

ASSISTANT'S INSTRUMENTATION

Central vacuum accessory package includes:

- Canister with disposable solids collector
- 3-way air/water syringe
- Autoclavable standard HVE and saliva ejector
- Space for an optional second HVE valve

Available in fixed with sidebox or rear pivot for left/right access.



REAR PIVOT, MODEL 1095 (ABOVE),
SIDEBOX MODEL INCLUDED WITH
DELIVERY (SHOWN)



REAR PIVOT
WITH TOUCHPAD,
MODEL 1096

PATIENT CHAIR, MODEL 3900

LUXURY: Plush cushion with soft Ultraleather® for ultimate comfort without sacrificing durability. Optional memory foam cushion, neck and/or knee pillows, and back massager for added luxury.

PATIENT ACCESS: Double-articulating headrest, thin backrest that narrows at the shoulders, and full recline provide unencumbered access to the oral cavity.

EASY TO CLEAN: Durable smooth surfaces that stand up to daily abuse and common dental practice disinfectants.

EASY TO USE: Chair touchpad with presets, mounted to the unit, the chair, or as a foot-control; flip-down armrests; single-press headrest adjustment, and easy access chair pivot handle.

PEACE OF MIND: 5-year chair warranty, 2-year upholstery warranty; reliable hydraulic cantilever design.

POPULAR PACKAGE OPTIONS:

- STAR-ETORQUE: Star Etorque electric system, factory installed
- 3914-999-CS: Additional chair control; footswitch, chair or unit mounted
- 1700-019-CS: Handpiece illumination system, 6-pin
- 1400-113-CS: Additional HVE valve w/tubing and dry oral cup
- 1400-279-STG: Hands-Free HVE
- 3900-100: Back Massager
- 3907-999-DC: Dual-color upholstery (shown)
- 3907-999-DS: Contrast stitched upholstery

The 3900 Chair Mount Package features Pivot and Sidebox mounting options, with multiple light and unit options to fit your specific needs.



BASIC SIDEBOX,
MODEL 1679



DELUXE SIDEBOX,
MODEL 1577 (SHOWN)
REAR PIVOT, MODEL 1580
REAR PIVOT WITH ASSISTANT'S,
MODEL 1590



DELIVERY SYSTEMS

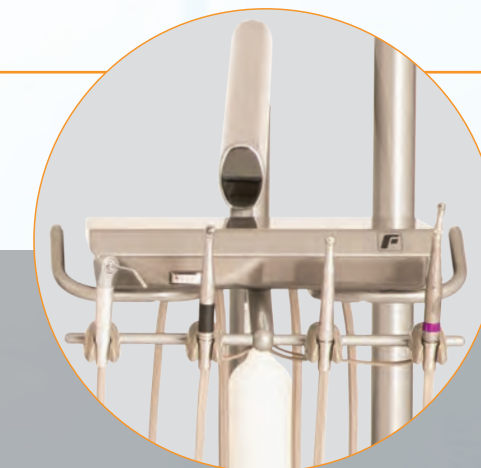
DESIGNER FRIENDLY: Choose from 9 available powder coat colors, 5 available plastic colors, including 3 carbon fiber plastics, and optional chrome accents.

RELIABLE: Market-leading 20-year limited warranty on "under the hood" components (air and water Ts, flow valves, pneumatic control, and distribution blocks).

ADJUSTABLE: Individual handpiece and water coolant adjustment, in addition to included mini-toolkit under the hood, puts control in your hands.

STANDARD IC: Accommodates a syringe and 3 adjustable handpiece positions, with options for additional handpiece positions, including integrated scaler or electric system.

EURO: Accommodates a syringe and 4 handpiece positions, resting on an autoclavable silicone pad, with options for integrated scaler or electric system. Comes standard with swivel instrument tray.



STANDARD IC
PIVOT, MODEL 4486PI
SIDEBOX, MODEL 4485SI



EURO
PIVOT, MODEL 4988PI
SIDEBOX, MODEL 4987SI (SHOWN)

CUSPIDORS

BASIC, MODEL 1679 – (sidebox only)

Basic model includes a removable ceramic bowl, manual cup fill, and timed bowl rinse.

DELUXE, MODEL 1577 – (sidebox)

Deluxe model comes with a one-piece ceramic bowl with touch lever water activator, automatic cup fill, and timed bowl rinse. Available in black or white.

DELUXE, MODEL 1580 – (rear pivot)

Same as 1577 above with additional features:
- Rear pivot mounted for left or right access
- Swings away or over the patient's lap

DELUXE, MODEL 1590 – (rear pivot)

Same as 1580 above with additional features:
- Swivel assistant's quad holder bar
- Central vacuum canister with disposable solids collector
- 3-way air/water syringe
- Autoclavable standard HVE and saliva ejector

LED LIGHT

ENERGY EFFICIENT: LED lamps with projected 22-year lifespan (50,000 hours).

FLEXIBLE: The 3-axis movement allows the light to be easily positioned exactly where needed.

SHADOW FREE: Faceted light pattern enables shadow-free illumination of the oral cavity.

ERGONOMIC: Light pattern with feathered edges to significantly reduce eye strain.

DESIGNER FRIENDLY: Available in 9 powder coat colors, with standard chrome accents, for lasting beauty that stands up to daily use and disinfection.



9073/9074 LED
(shown left)

9078/9079 LED
(shown top)

Control type	Integrated touchpad	Dial
Light intensity (Lux)	8,000 to 45,000	8,000 to 35,000
Color Temp. (Kelvin)	4,200 to 6,000	4,200 to 6,000
Preset modes (Kelvin)	Anti-Cure (3,000) Oral surgery (4,500) Color matching (5,500)	

DELUXE STOOLS

Premium Ultraleather® upholstery standard.

Stools have a fully polished base for premium look.

Comes with a pneumatic cylinder with height adjustment.

DOCTOR'S STOOL, MODEL 6159C

- Adjustable height backrest
- Contoured seat with triple-lever adjustment.
- Seat height adjusts from 18 1/2" to 23"
 - Option for shorter 16"-21" or taller 21 1/2"-28" height adjustment

ASSISTANT'S STOOL, MODEL 6160C (without back) or 6161C (with back)

- Height adjustable ratcheting torso support
- Adjustable foot ring
- Height adjustment from 21 1/2" to 28"
 - Option for shorter 18"-23" height adjustment
- 6160C: Single-lever height adjustment
- 6161C: Triple-lever adjustment and height adjustable back



SURFACE FINISH OPTIONS

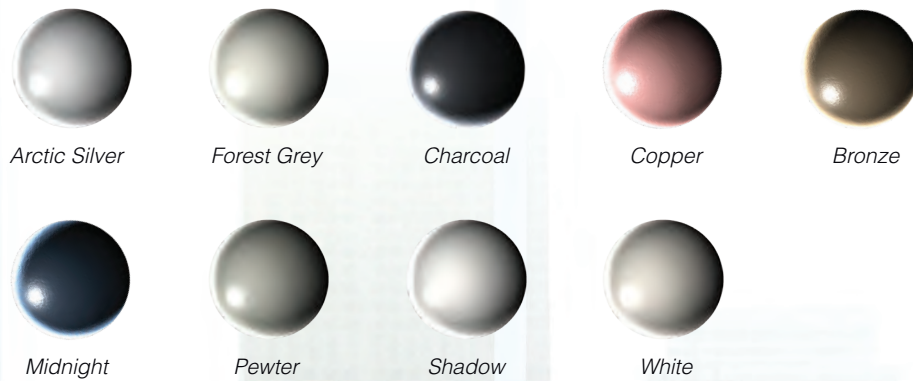
ULTRALEATHER® 12 CLASSIC COLORS



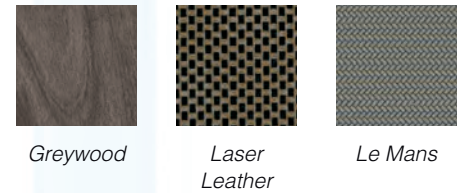
ULTRALEATHER® 5 PEARLIZED COLORS



POWDER COAT PAINT 9 COLORS



CARBON FIBER® 3 COLORS



HANDS-FREE HVE

AEROSOL EXTRACTION WITHOUT THE DISTRACTION™

PLUG AND PLAY:

Kit includes the flexible HVE holder preassembled with an HVE valve and tubing that connects to an existing vacuum system.

FLEXIBLE DESIGN:

The flexible holder arm can be moved in and out of the way for optimal flexibility, and the HVE valve snaps in or out of the holder arm as needed.



DENTALEZ

©2022 DENTALEZ, Inc. DENTALEZ is a registered trademark of DENTALEZ, Inc. Designer Friendly is a registered trademark and Aerosol Extraction without the Distraction is a trademark of DTE Oregon Inc. Naugahyde is a registered trademark of United States Rubber Products, Inc. UltraLeather is a registered trademark of Ultrafabrics, Inc.