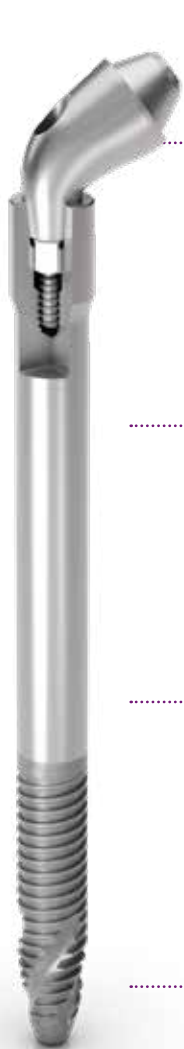


# Introducing, Neodent® GM Zygomax-S



## GREATNESS IN SEVERE ATROPHIC MAXILLA CASES



### GM CONNECTION



### IMPLANT SURFACE:

Smooth surface > from median to coronal portion  
Neoporos > Threaded portion



### IMPLANT DESIGN:

Parallel wall > from median to coronal portion  
Hybrid Design > implant body to maximize treatment options and efficiency.



### IMPLANT DIAMETER: 3.5 | 3.75

The anatomy of the Zygomatic has a restricted space, so implants with smaller diameters give more versatility for installation.



### PREDICTABLE SURGICAL RESULTS

Innovation: New Initial Lateral cutting drill



Get notified when the Neodent GM Zygomax-S is available.



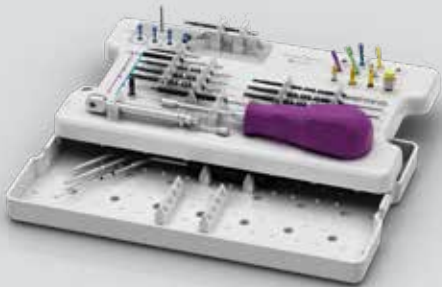
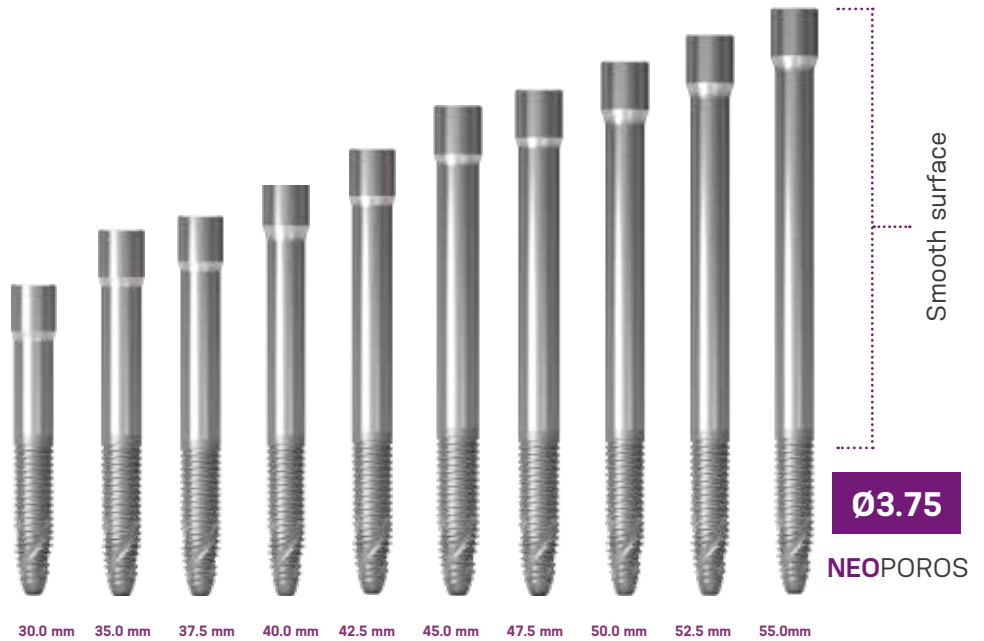
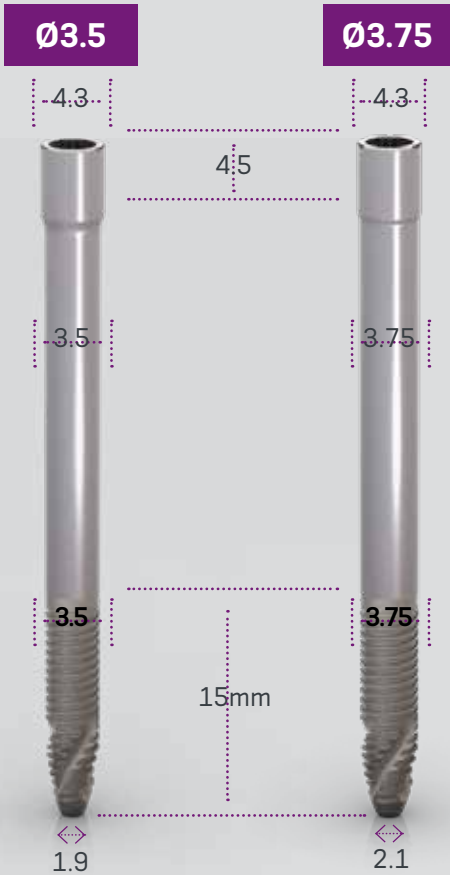
FDA Cleared for ZAGA 4, Quad Zygomax

[ifu.neodent.com.br/en](http://ifu.neodent.com.br/en)

**NEODENT**  
A Straumann Group Brand

# Introducing, Neodent® GM Zygoma-S

## GREATNESS IN SEVERE ATROPHIC MAXILLA CASES



Get notified when the Neodent GM Zygoma-S is available.

