

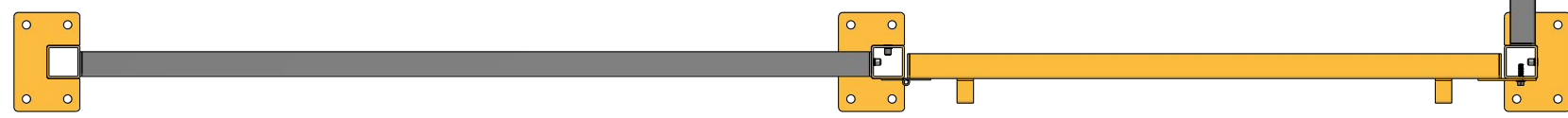
**Description:**

Protect your machine room with our easy-to-install machine room guarding, designed and manufactured in Canada. Our guarding panels and lift-out or hinged doors come fully assembled, allowing for hassle-free installation onto 6ft tall, 2" square upright posts.

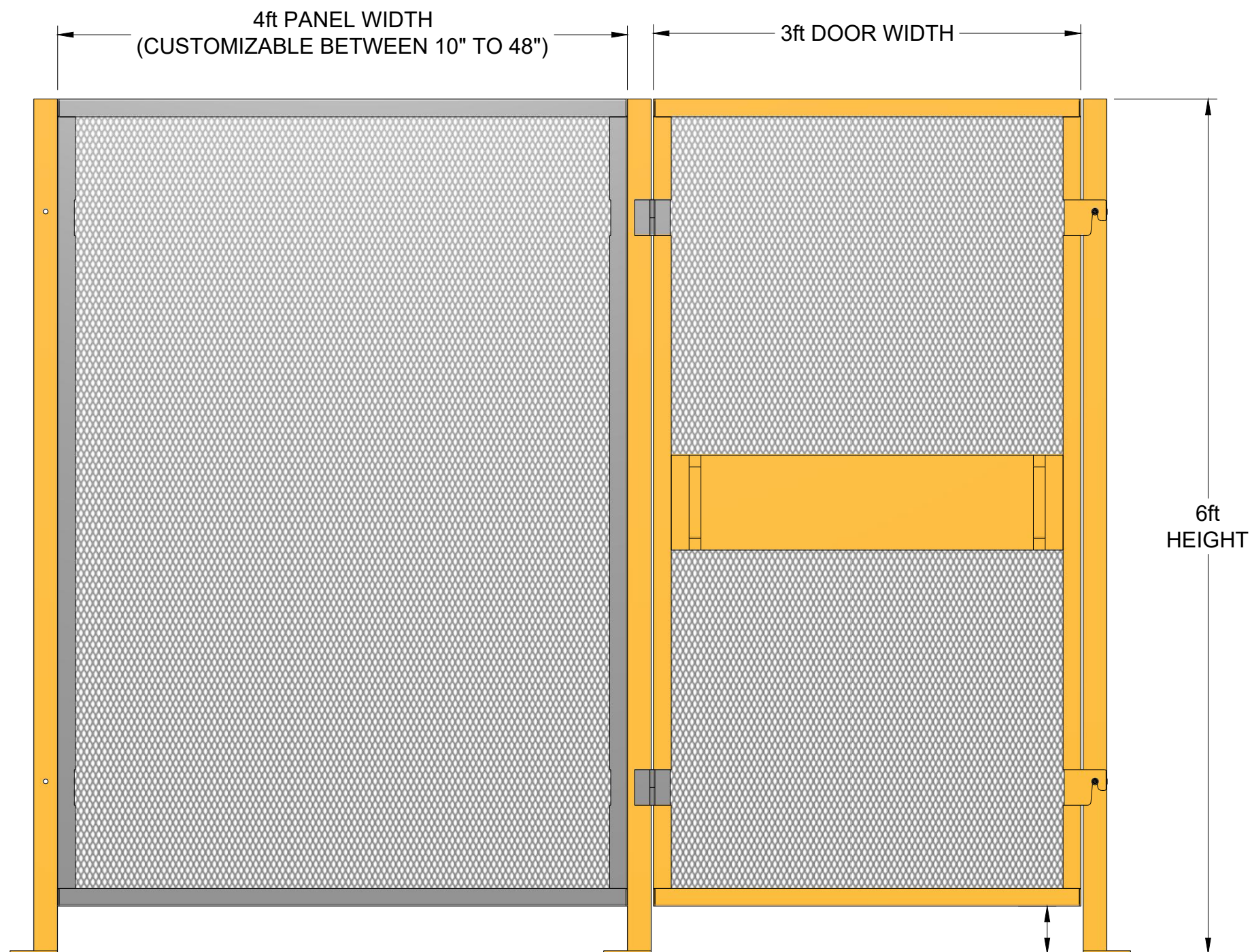
All posts, panels, and doors are predrilled with threaded inserts and a T-slot assembly solution, enabling quick and easy installation and removal of the guarding. The heavy-duty 11GA mild steel frames provide maximum security and durability.

Our guarding panels are customizable in size, ranging from 10" to 48", allowing you to tailor the guarding to your specific needs. With our modular design, additional posts, panels, and doors can be added to create a free-standing cage or partition, perfectly tailored to your elevator machine room. The standard 4" bottom clearance allows for easy cleaning around the guarding.

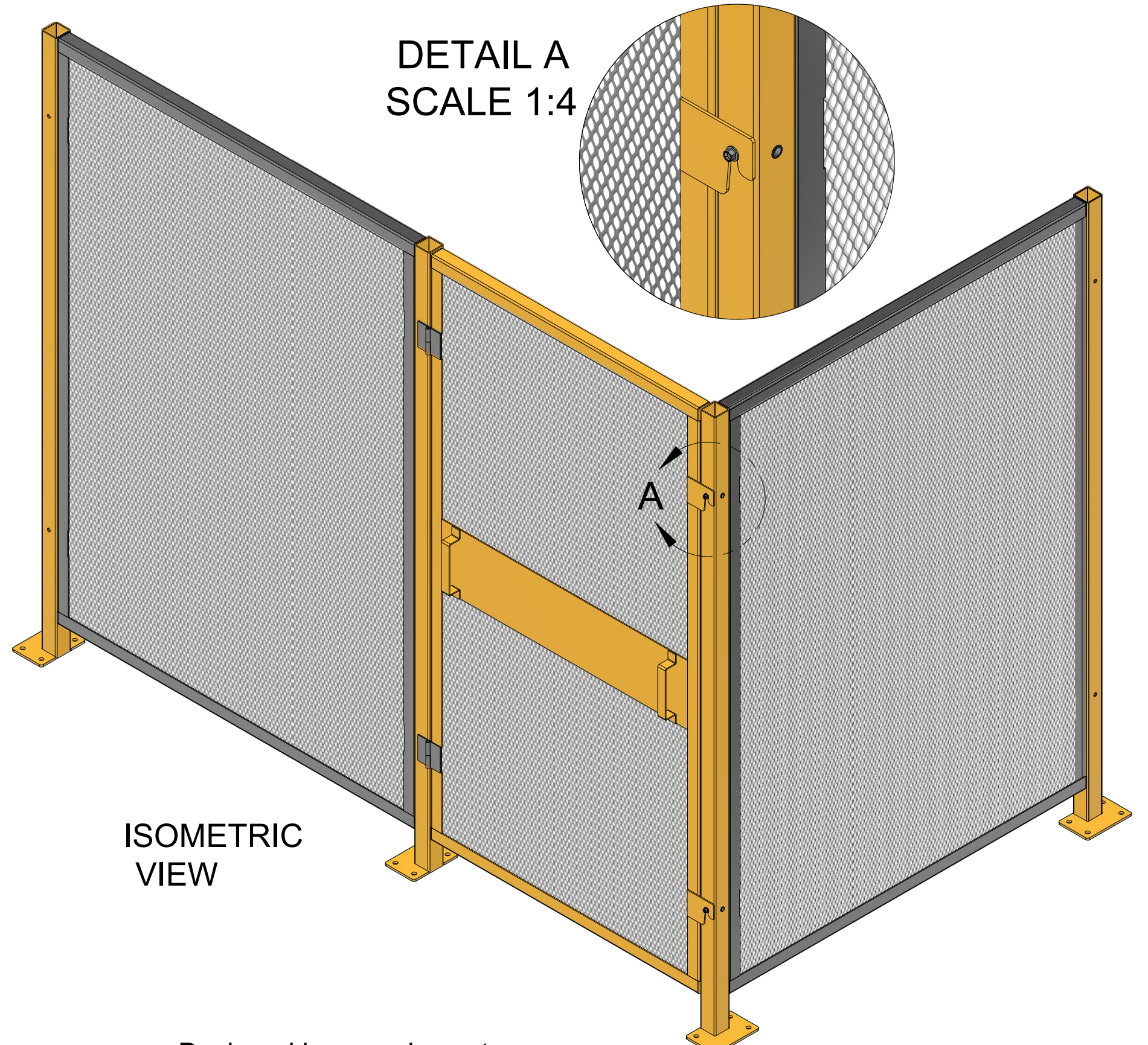
We offer customizations to suit every machine room layout.



**PLAN VIEW**



**FRONT ELEVATION**



**ISOMETRIC VIEW**

**DETAIL A  
SCALE 1:4**


Designed in accordance to:

- ANSI B11.19-2010 - Performance Requirements for Safeguarding
- OSHA General Industry Standards, Subpart: OSHA 29 CFR 1910.212 - General Requirements for (guarding of) all machines
- CSA Standard Z432-04 - Safeguarding of Machinery
- TSSA's Document - Elevator Machine Room Guarding, a Best Practises Guideline Produced by Industry Stakeholders

Maintains visibility of moving parts. Designed for quick and easy maintenance access (tooling required). Custom built for a tight fit. Engineered for quick and easy installation.

Letter of compliance provided.

Pre-start health & safety review report to be provided.

	PROJECT			
	<b>Machineroom Guarding-00</b>			
APPROVED CHECKED DRAWN Ronny Stein 2023-02-13	TITLE		SIZE	CODE
	<b>Generic Drawing</b>		C	
	SCALE 1:10	WEIGHT	DWG NO	REV
			SHEET 1/2	



4

3

2

1

D

D

C

C

B

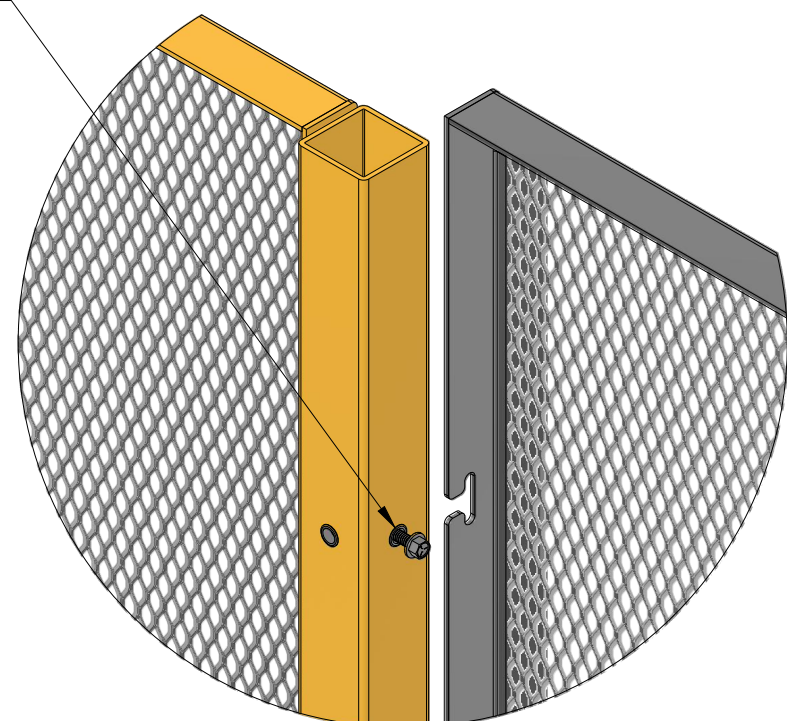
B

A

A

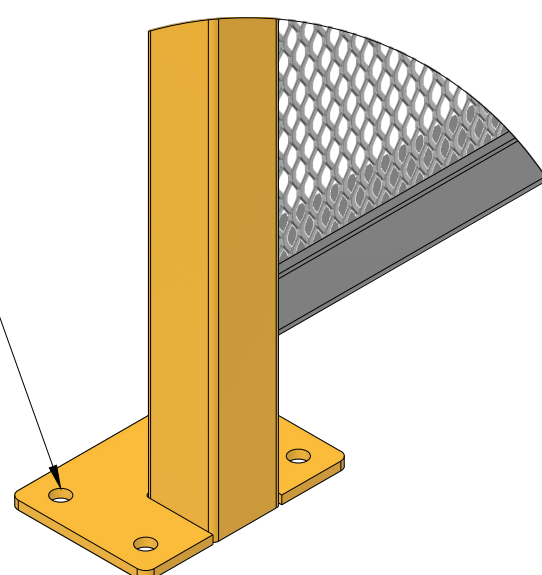
TO HANG PANELS/ LIFT OUT DOORS  
USE PROVIDED 4 x 1/4-20 BOLTS  
AND T-SLOTS IN FRAME.

TIGHTEN BOLTS AFTER PANEL IS  
IN FINAL LOCATION.

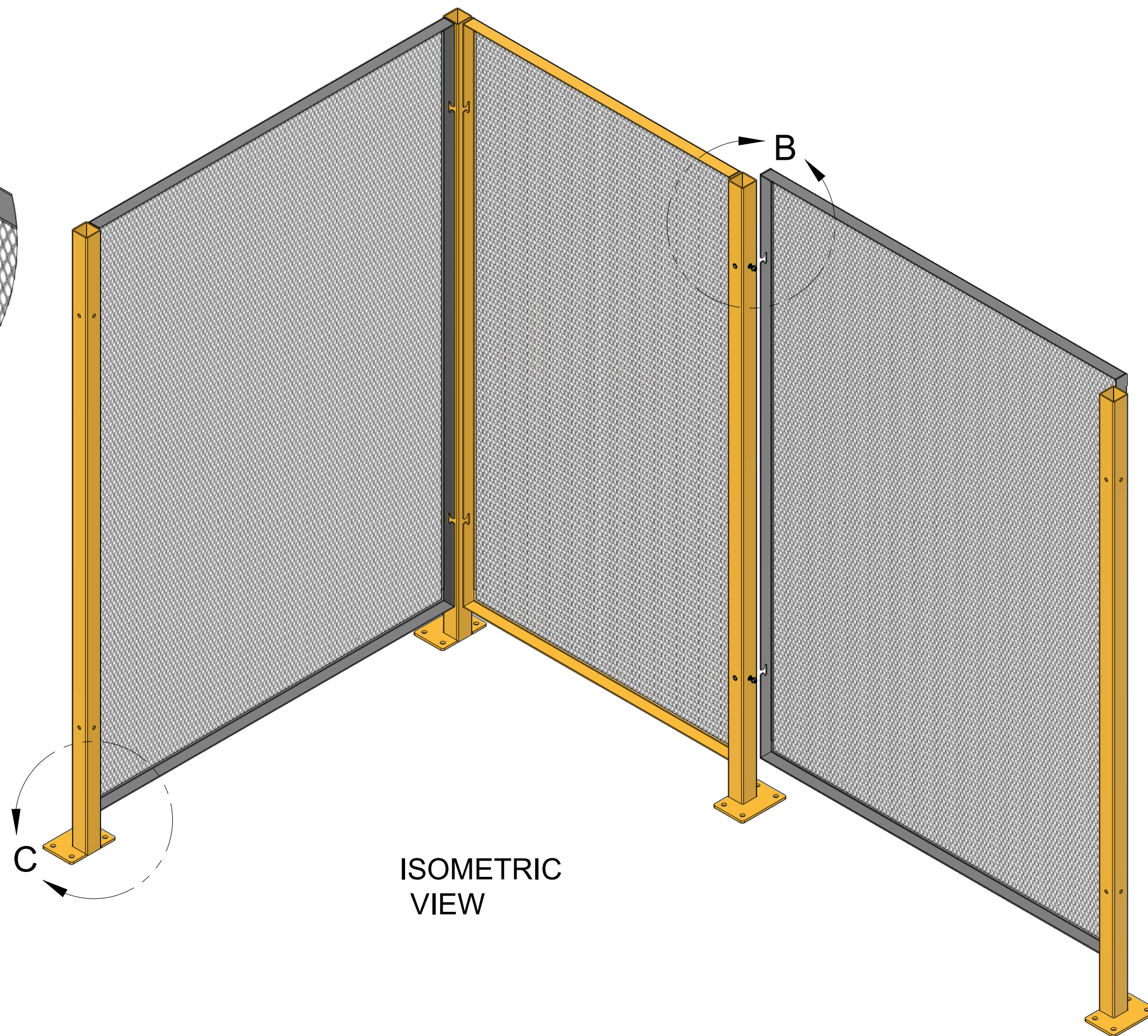


DETAIL B  
SCALE 1:4

SECURE POST BASE USING PROVIDED  
 $\frac{3}{8}$ " WEDGE ANCHORS



DETAIL C  
SCALE 1:4



ISOMETRIC  
VIEW

INSTALLATION INSTRUCTIONS:

- SET FIRST POST IN PLACE AND SECURE
- SECURE REMAINING POSTS WITH DOORS, PANELS IN PLACE
- INSTALL SIGNAGE



PROJECT  
**Machineroom Guarding-00**

TITLE  
**Generic Drawing**

APPROVED	SIZE	CODE	DWG NO	REV
CHECKED	C			
DRAWN Ronny Stein 2023-02-13	SCALE 1:10	WEIGHT	SHEET 2/2	

4

3

2

1