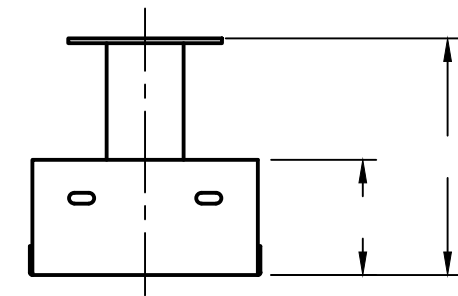
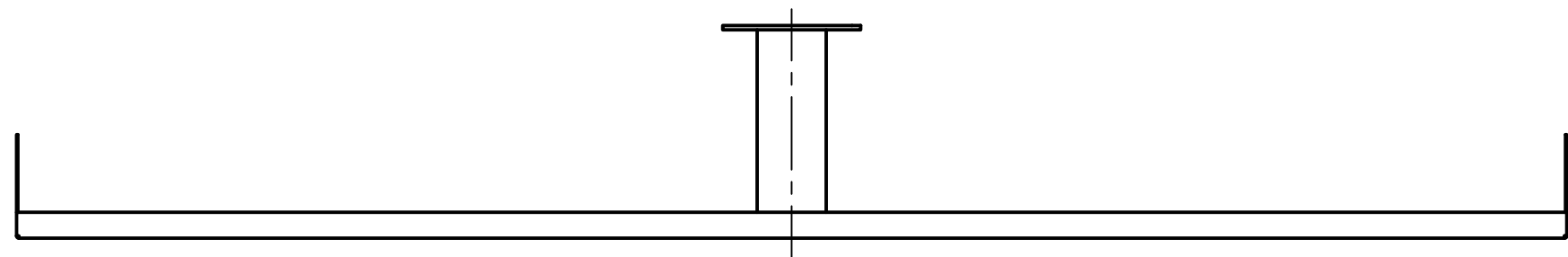
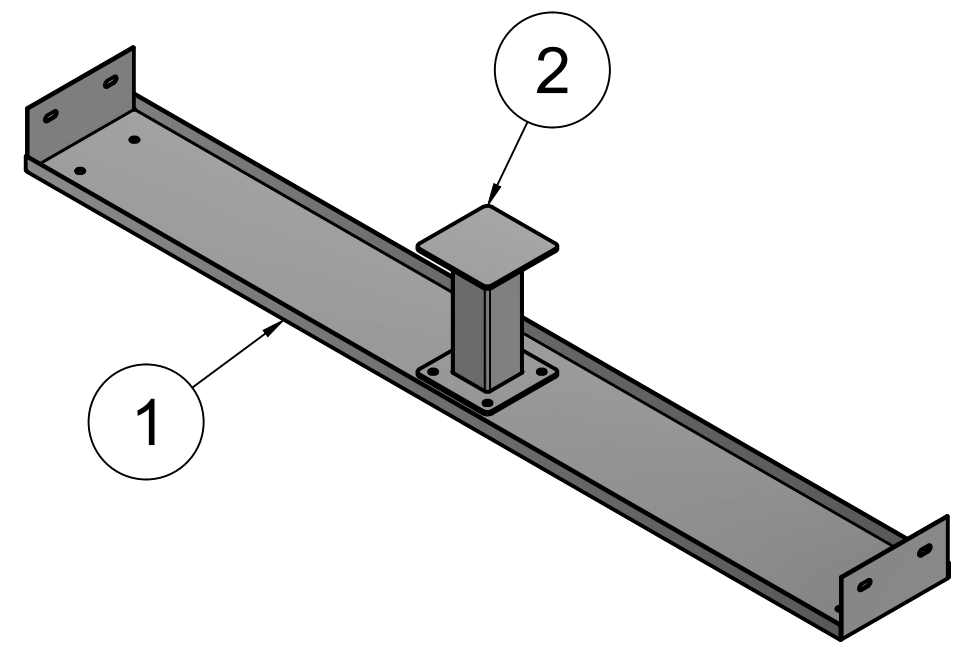


PARTS LIST		
ITEM	QTY	PART NAME
1		PIT STEEL
2		BUFFER STAND



FINISH OPTIONS			
	RAW	COATED	GALVANIZED
PIT STEEL			
BUFFER STAND			N/A

NOTE:

- INDICATE QTY IN PARTS LIST
- CHECKMARK FINISH OPTIONS
- FILL IN ALL DIMENSIONS
- INDICATE RAIL TYPE
- INDICATE CAR#

	PROJECT		
	PIT STEEL		
	TITLE		
	CAR/ CTW SURVEY SHEET		
APPROVED	SIZE	CODE	DWG NO
CHECKED	B		
DRAWN Ronny Stein 2023-04-06	SCALE 1:30	WEIGHT	SHEET 1/1

