

# **MARROS SELF-CLEANING BARBECUES**

## **WORKTOP MODULE DOUBLE**

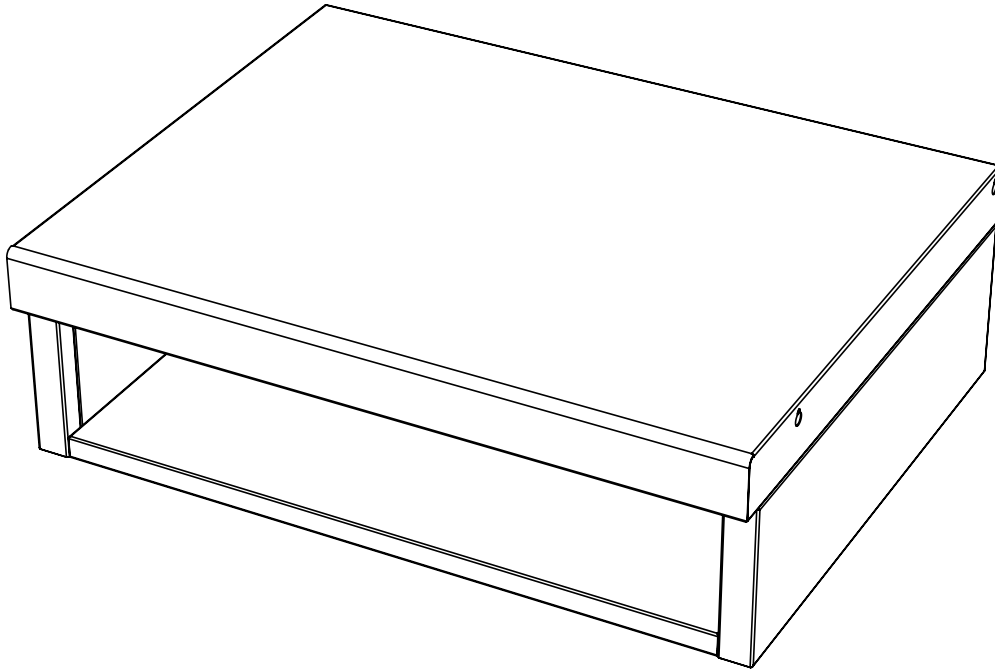


Before using the Worktop, remove any packaging material within and around the Worktop, supplied for protection during transit

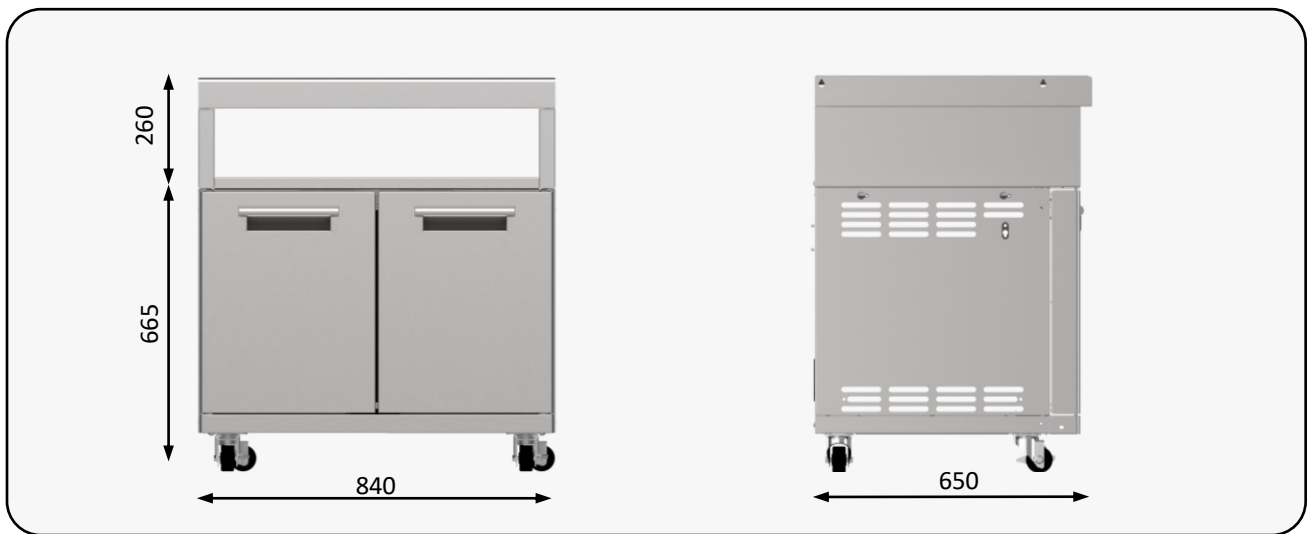
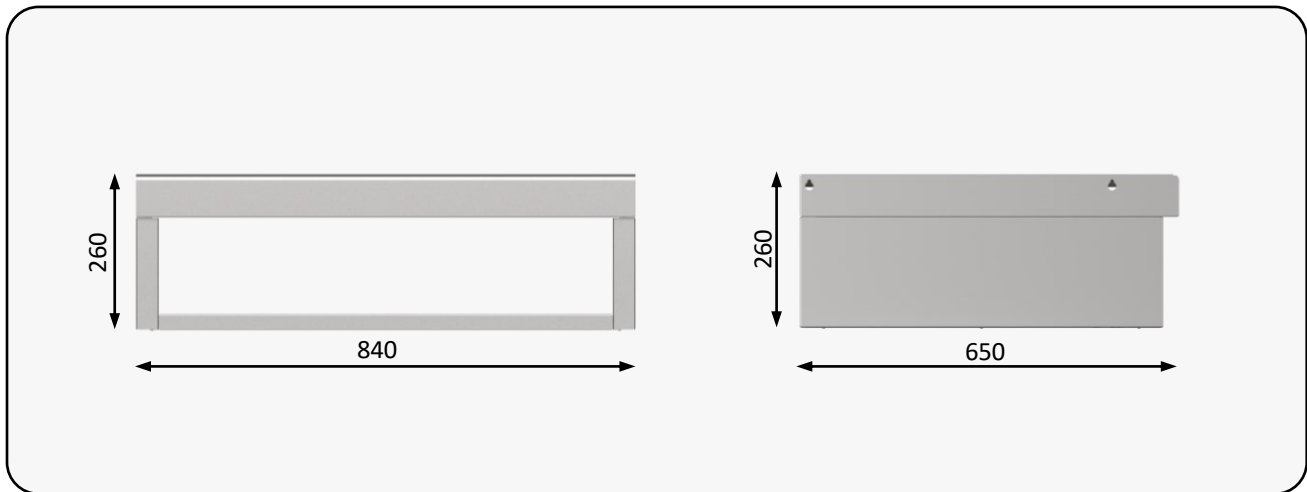
Retain manual for future reference

# CONTENTS

DIMENSIONS	3
INSTALLATION AND ASSEMBLY	4-10
CLEANING AND MAINTENANCE	11
WARRANTY	12



# DIMENSIONS



Dimensions:	see above picture
Weight:	15 kg
Packaging dimensions:	W870; L690; H295
Construction materials:	Stainless steel 304

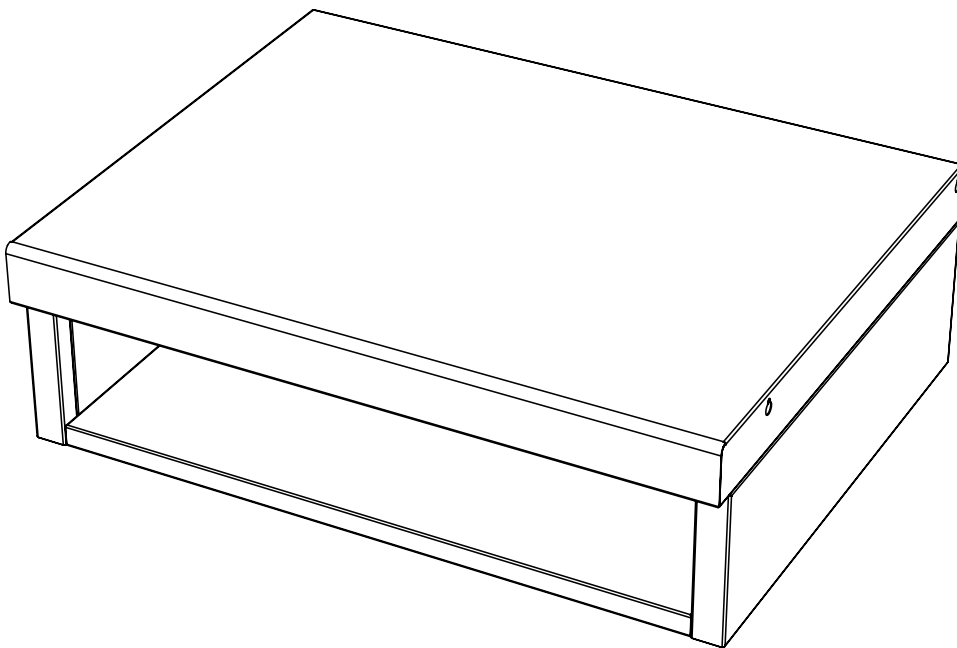


# INSTALATION & ASSEMLBY



# INSTALATION & ASSEMBLY

- Remove the Worktop from the carton.
- Do not destroy packaging until the module has been fully assembled and operates to your satisfaction.
- Assemble the module where it is to be used, lay down cardboard or a towel to protect parts from being lost or damaged while assembling.
- Most stainless-steel parts are supplied with a protective plastic coating that must be removed prior to using the module.
- Follow all instructions in the order that they are laid out in this manual.
- Two people are required to set the Worktop.



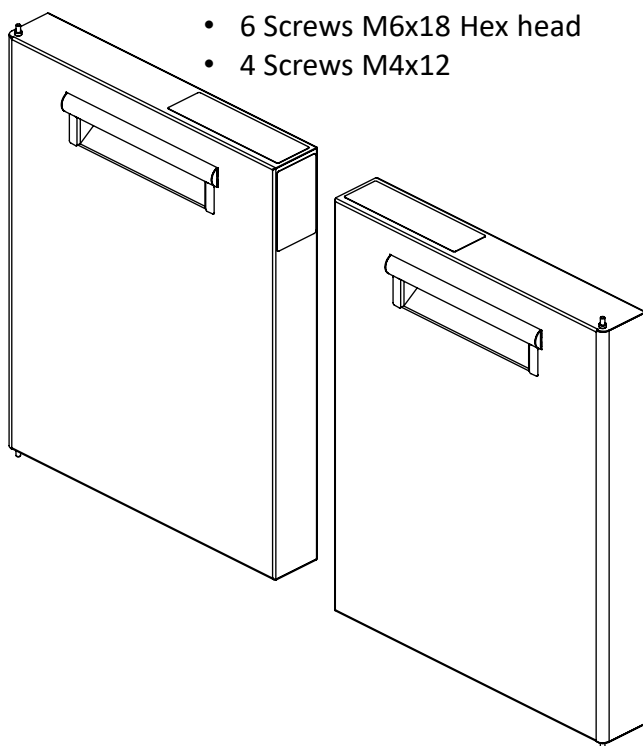
# CART ASSEMBLY INSTRUCTIONS

## Bolt pack content:

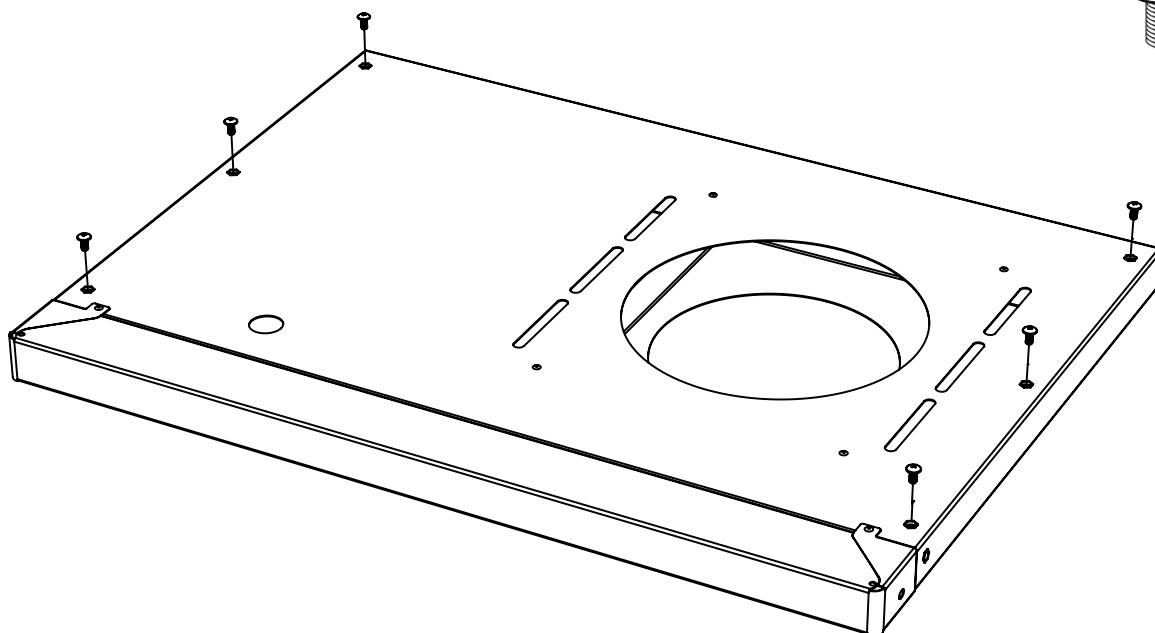
- 54 Screws M6x12 Pan head
- 6 Screws M6x18 Hex head
- 4 Screws M4x12

## Tools needed:

- Philip screwdriver
- Spanner 10

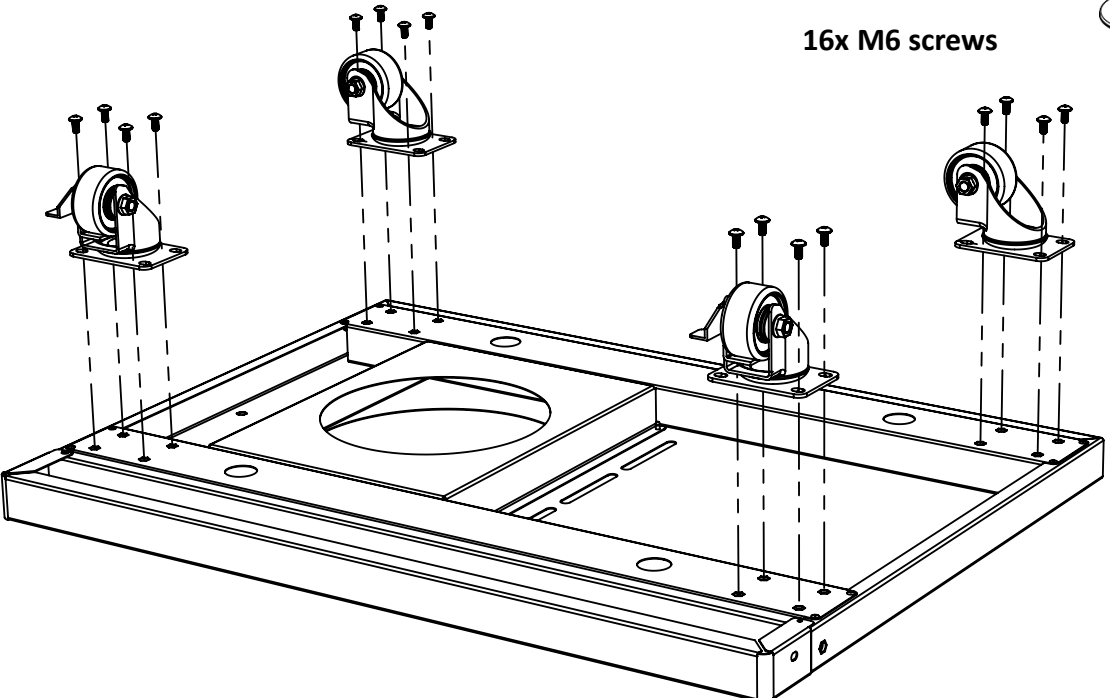


6x M6 screws



Half screw in the screws in the bottom plate as shown.

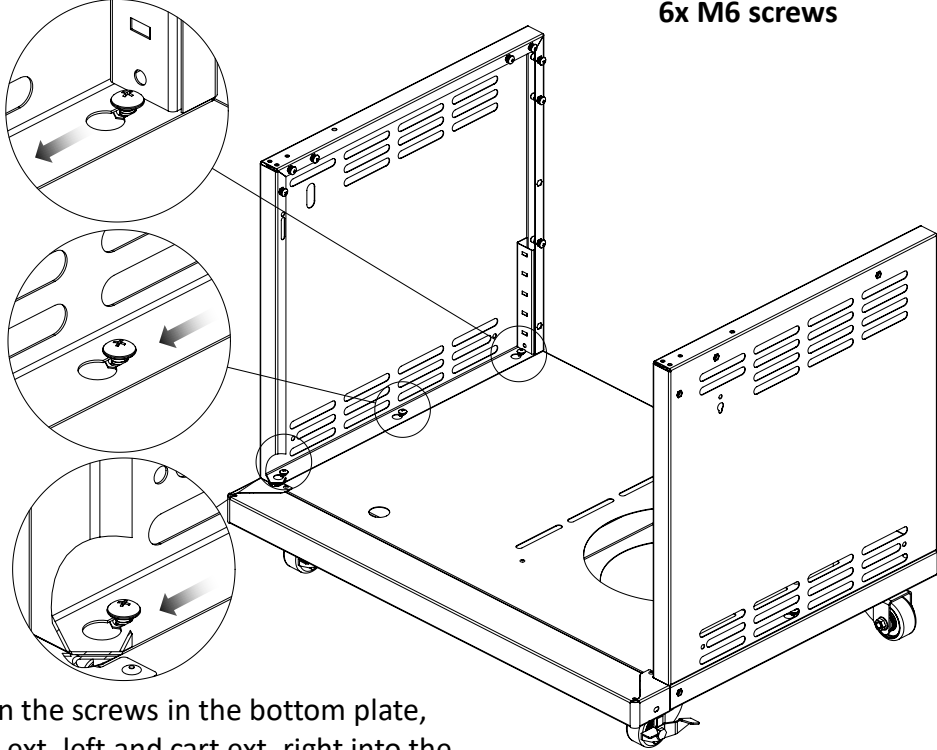
# CART ASSEMBLY INSTRUCTIONS (CONTINUED)



16x M6 screws

Please insert casters and caster adjust lock into the Cart bottom shelf using M6 screws as shown

This diagram illustrates the installation of casters and adjust locks onto the bottom shelf of the cart. Four casters are shown being attached to the corners of the shelf. Each caster is secured with three screws. The text indicates that a total of 16 M6 screws are used for this step. A single M6 screw is shown in the top right corner for reference.



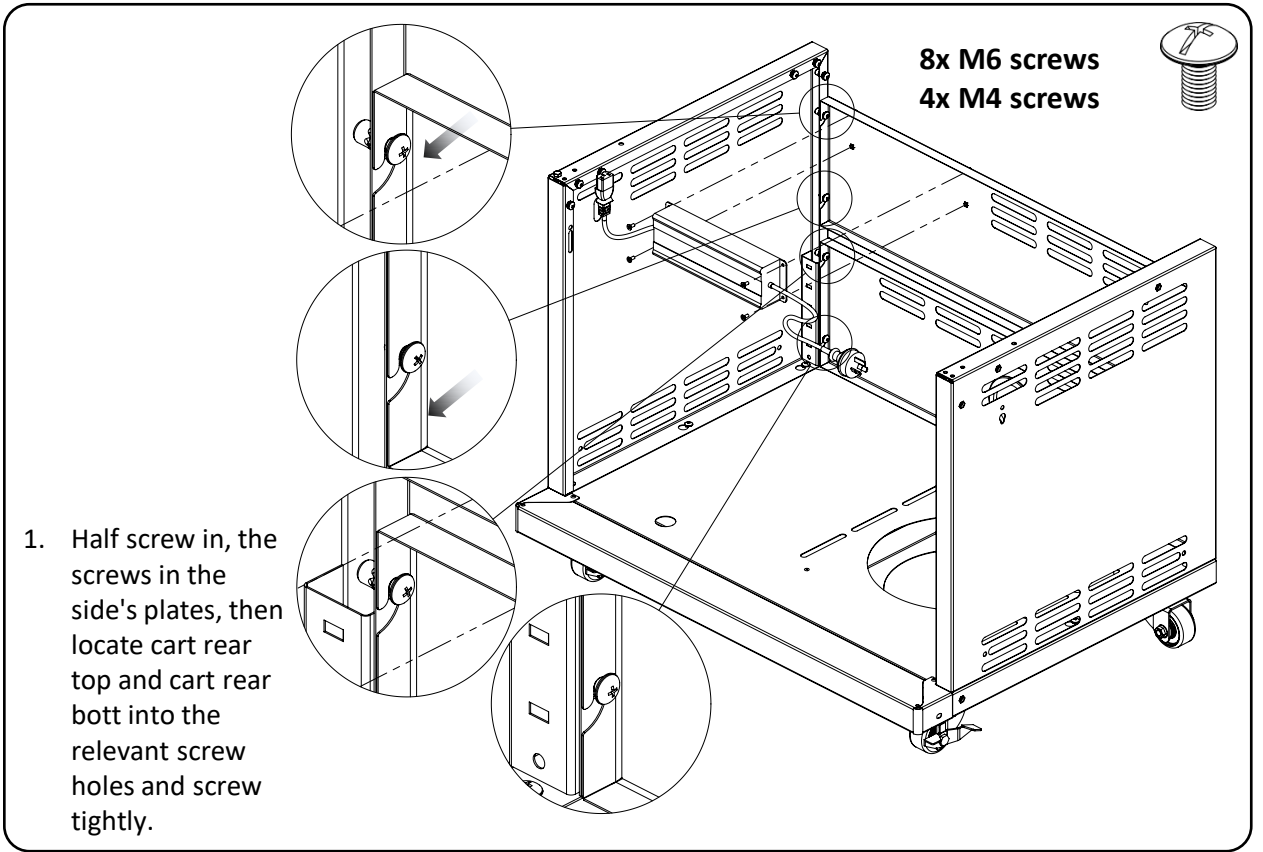
6x M6 screws

Half screw in the screws in the bottom plate, then fit cart ext. left and cart ext. right into the relevant screw holes and screw tightly

This diagram shows the final assembly steps. It features a main view of the cart with the bottom plate and two side panels. Three circular callouts provide close-up views of the screw installation process. The text specifies that 6 M6 screws are used. The instructions indicate that the screws should be partially inserted into the bottom plate, and then the left and right cart extensions should be fitted into the corresponding holes and tightened.

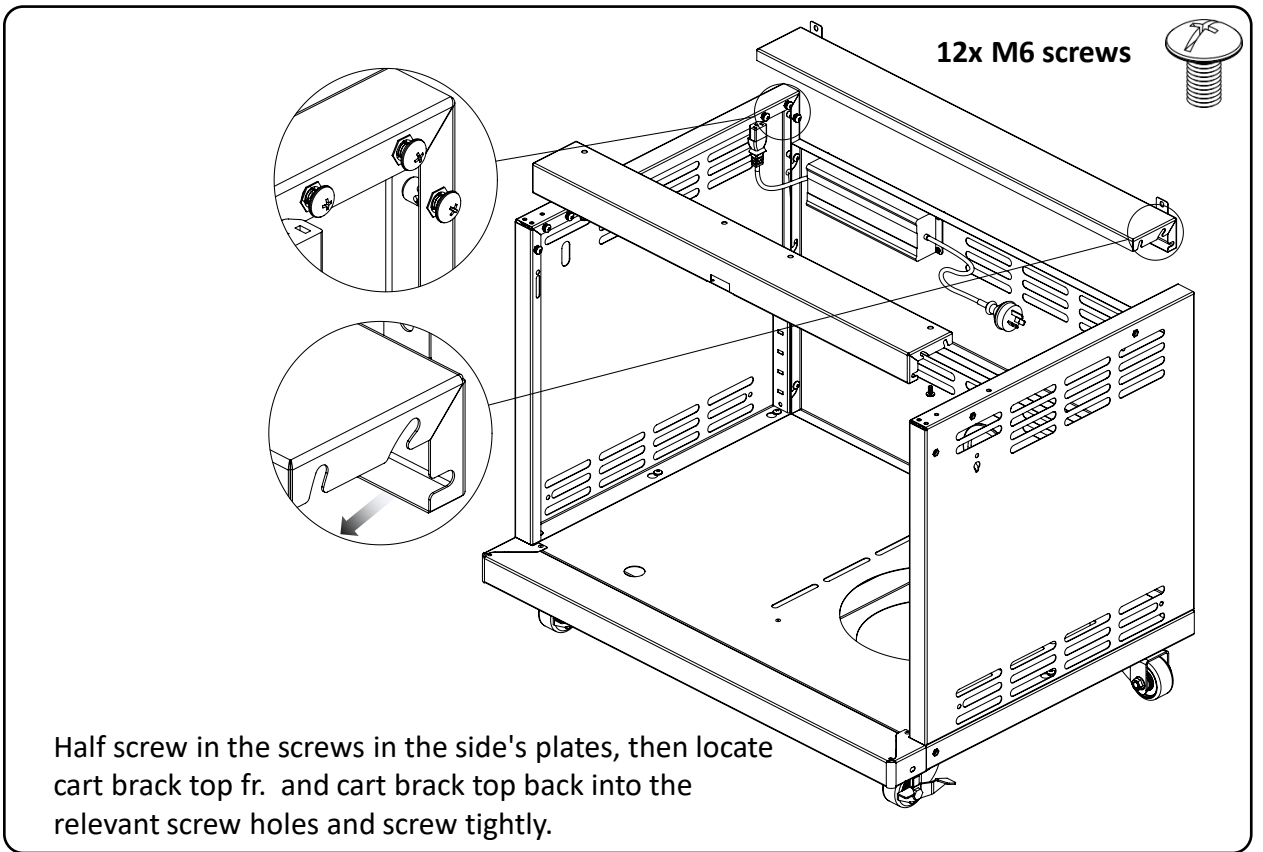


# CART ASSEMBLY INSTRUCTIONS (CONTINUED)



8x M6 screws  
4x M4 screws

1. Half screw in, the screws in the side's plates, then locate cart rear top and cart rear bott into the relevant screw holes and screw tightly.



12x M6 screws

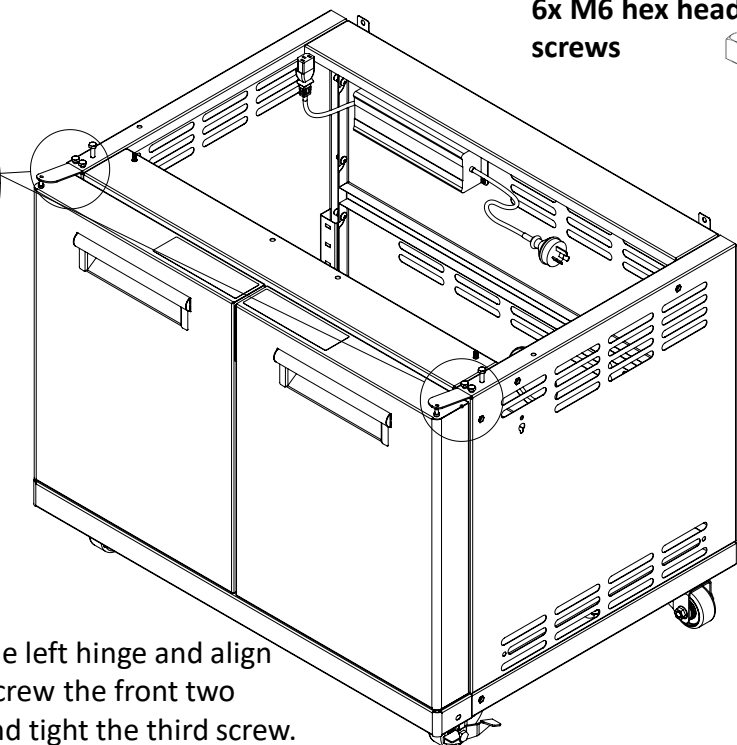
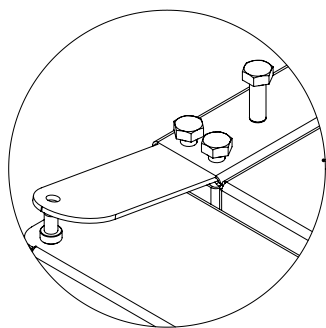
Half screw in the screws in the side's plates, then locate cart back top fr. and cart back top back into the relevant screw holes and screw tightly.



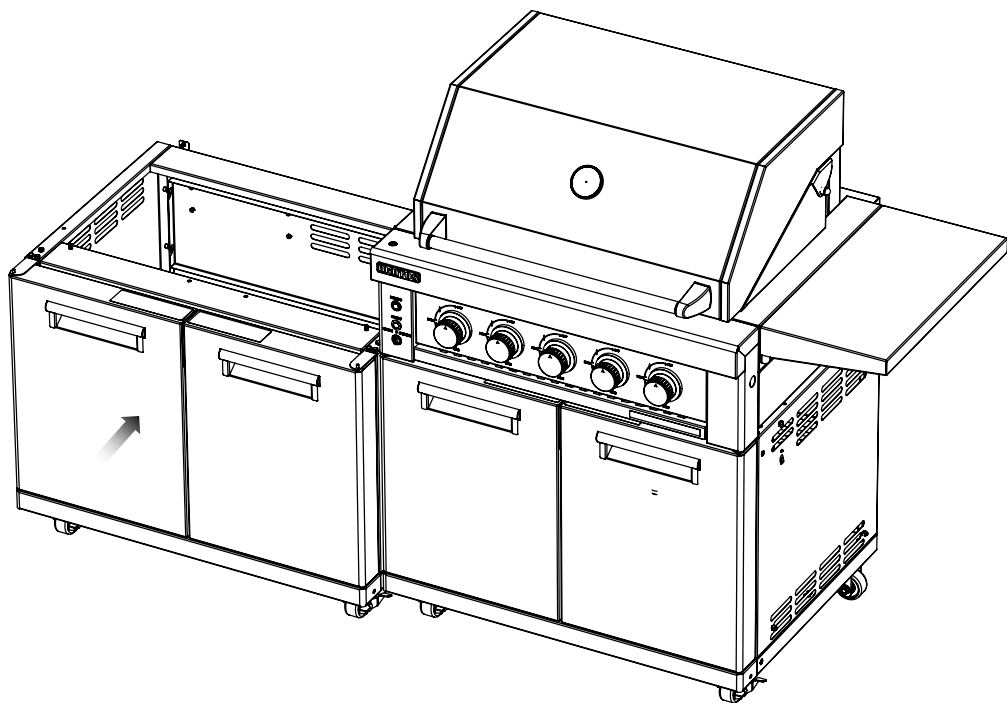


# CART ASSEMBLY INSTRUCTIONS (CONTINUED)

6x M6 hex head screws

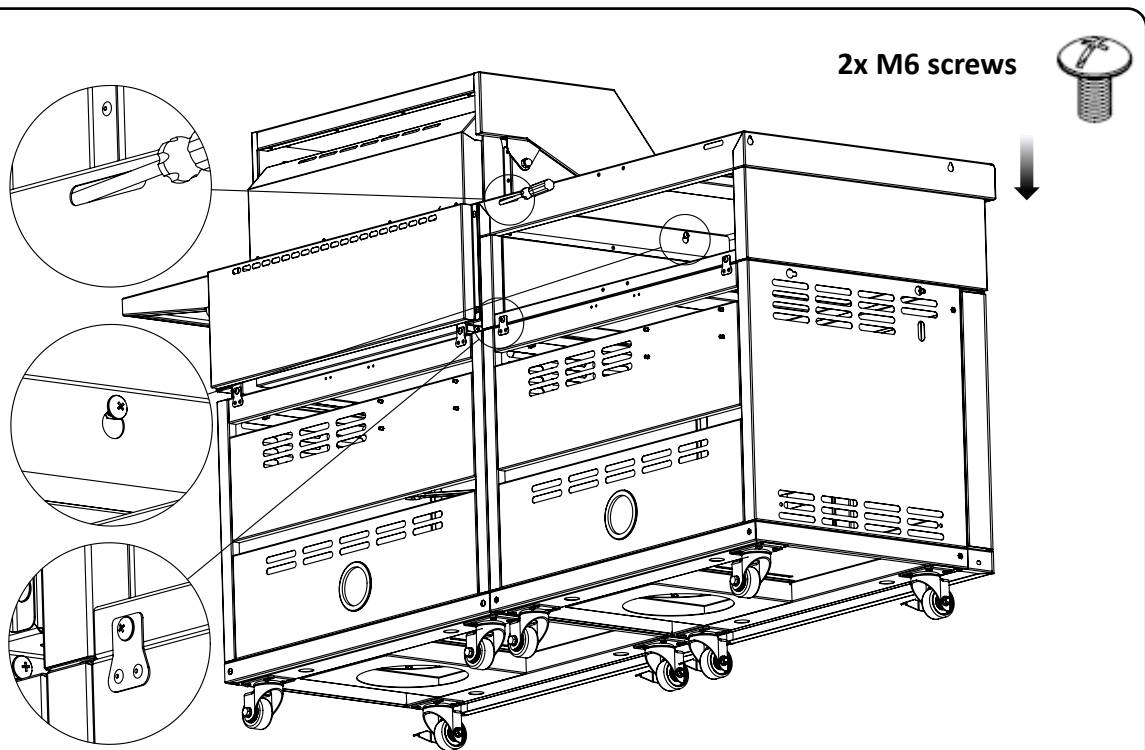
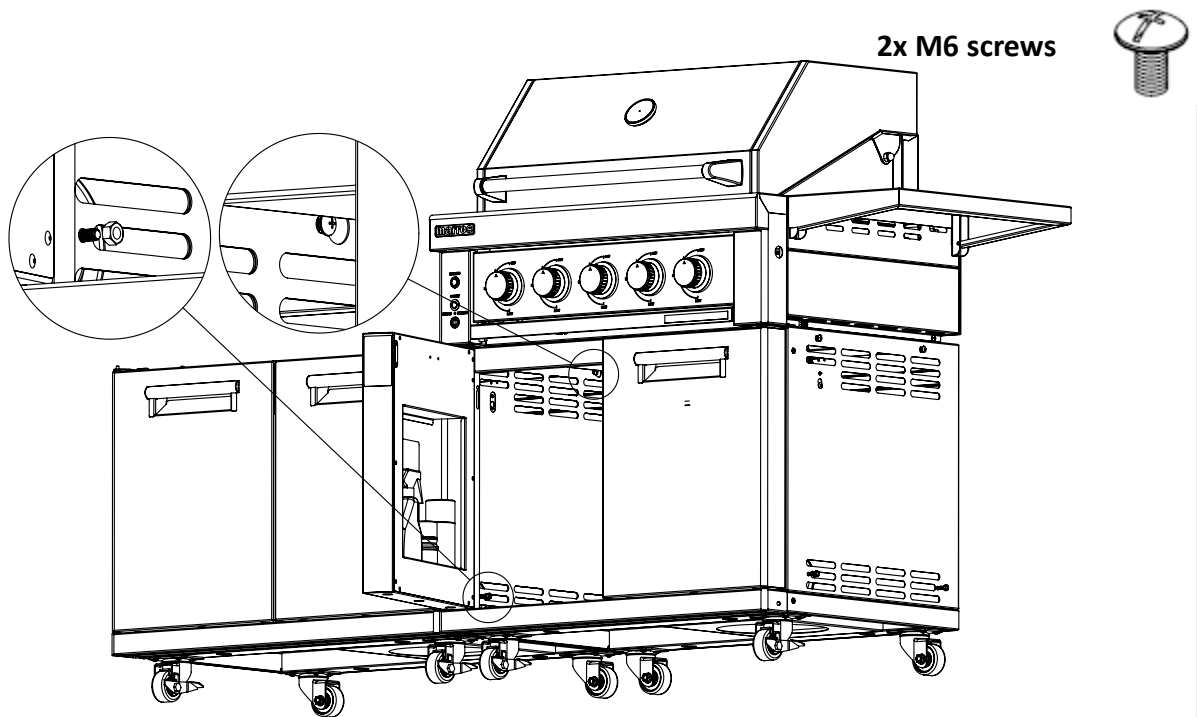


From inside the cart, insert the left hinge and align with the screw's holes. Half screw the front two screws, insert the left door and tight the third screw. Same procedure for the right door



- To add the side cupboards, slide them from the front, aligning the side key slots with the screws

# INSTALLATION & ASSEMBLY



# CLEANING AND MAINTENANCE

## STAINLESS STEEL CLEANING AND MAINTENANCE

- Stainless steel is a corrosion resistant chromium/nickel alloy steel that is both durable as well as strong with an outstanding lustre. The goal of your cleaning and maintenance routine should be to keep the stainless steel's protective chromium oxide layer intact. This is what prevents corrosion. Contrary to popular belief, stainless steel is NOT rustproof, especially in the environment of a swimming pool. Chlorine, bromine, some fertilizers and other elements are extremely caustic chemicals for stainless steel. These chemicals combined with heat and humidity greatly increase the corrosiveness of these chemicals. Regular cleaning is the best way to prevent corrosion and add years of enjoyment to your stainless-steel products.
- **Cleaning The Surface:** Do not use abrasive cleaners or steel wool on any painted, porcelain or stainless-steel part of your Napoleon Module, doing so will scratch the finish. Exterior painted surfaces should be cleaned with warm soapy water. To clean stainless surfaces, use a stainless steel or a non-abrasive cleaner. Always wipe in the direction of the grain.



# WARRANTY

**This document sets out the terms and conditions of the product warranties for Marros Appliances. It is an important document. Please keep it with your proof of purchase documents in a safe place for future reference should there be a manufacturing defect in your Appliance. This warranty is in addition to other rights you may have under the Australian Consumer Law.**

This warranty only applies to Appliances, purchased and used in Australia or New Zealand in normal domestic applications and is in addition to (and does not exclude, restrict, or modify in any way) any non-excludable statutory guarantees in Australia and New Zealand.

## Warranty Term

Subject to the conditions set out below, this product is warranted to the purchaser to be free from defects in workmanship and materials from the date of purchase for the terms specified below:

5 YEARS- Firebox and Roasting Hood

3 YEARS- All other parts

## Warranty Conditions

- The warranty is non-transferable and is limited to the original purchaser.
- Satisfactory proof of purchase (as defined in the Competition and Consumer Act 2010) must be furnished at the time of notification of the defect for a claim under this warranty to be enforceable.
- This warranty covers all parts found to be defective in workmanship and/or materials during the warranty period. Marros total liability in respect of a claim by a consumer under the CCA for a minor problem (as defined in the CCA) with a product is limited, at our option, to providing the consumer with a refund, replacement or repairing the product.
- For major failures (as the term defined in the CCA) you are entitled to a replacement or refund and for compensation for any other reasonably foreseeable loss or damage.
- To implement this warranty, please return this product to the place of purchase or nominated service agent, otherwise a service call out fee will be charged and refunded if claim is warrantable

## Installation Conditions

- All installations must conform to the applicable Gas, Electrical and Building Standards as laid down by the local codes for state or region.

## Warranty Exclusions

You may not make a claim under this warranty unless the defect claimed is due to faulty or defective parts or workmanship. Marros is not liable in the following situations (which are not exhaustive):

The Appliance is damaged by:

- Accident
- misuse or abuse, including failure to properly maintain or service
- normal wear and tear
- power surges, electrical storm damage or incorrect power supply
- incomplete or improper installation
- incorrect, improper or inappropriate operation
- insect or vermin infestation
- failure to comply with any additional instructions supplied with the Appliance
- the Appliance is modified without authority from Marros in writing
- the Appliance's serial number or warranty seal has been removed or defaced
- the Appliance was serviced or repaired by anyone other than an authorised repairer or ASC.
- Commercial use

This warranty, the contract to which it relates and the relationship between you and Marros are governed by the law applicable where the Appliance was purchased.

## Consumer Guarantee

Our appliances come with a guarantee that cannot be excluded under the Australian Consumer Law. You are entitled to a replacement or refund for a major failure and for compensation for any other reasonably foreseeable loss or damage. You are also entitled to have the goods repaired or replaced if the goods fail to be of acceptable quality and the failure does not amount to a major failure.

Subject to the above paragraphs, all express or implied representations, conditions, statutory guarantees, warranties and provisions (whether based on statute, common law or otherwise), related to this warranty, that are not contained in it, are excluded to the fullest extent permitted by law.

Nothing in this warranty excludes, restricts or modifies any conditions, warranty, statutory guarantee, right or remedy, implied or imposed by common law, statute or regulation, which cannot be lawfully excluded, restricted or modified

Attach the copy of the purchase receipt here:

Date of Purchase \_\_\_\_\_

Purchased from \_\_\_\_\_

Location \_\_\_\_\_

Model Name and Number \_\_\_\_\_

Receipt Number \_\_\_\_\_



**marros**

Smart thinking for fine living

Visit: <https://selfcleaningbbq.com.au/>

Your purchase receipt will be required for warranty claims