

MARROS SELF-CLEANING BARBECUES

SINK MODULE DOUBLE

The Side Sink module can only be installed on the left side of the BBQ



Before using the sink, remove any packaging material within and around the sink, supplied for protection during transit

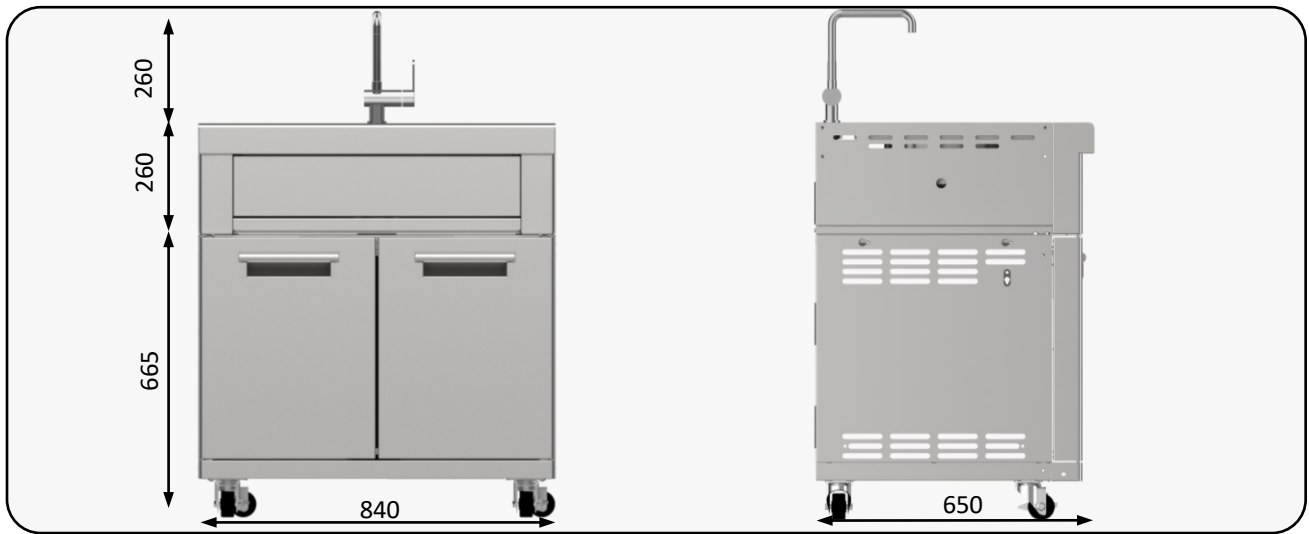
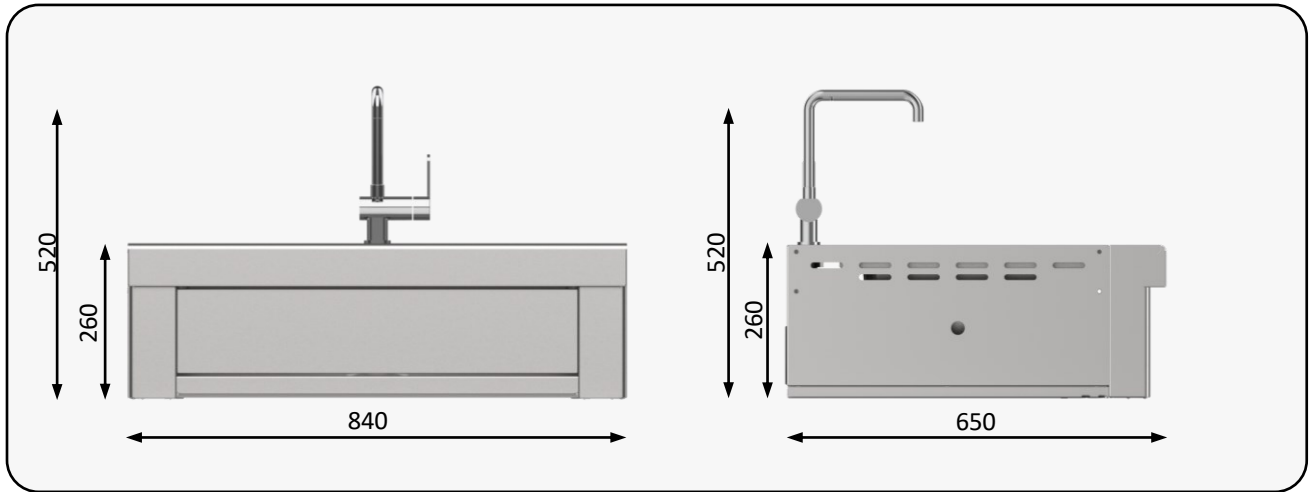
Retain manual for future reference

CONTENTS

SPECIFICATIONS	3
IMPORTANT INFORMATION AND SAFETY	4
SIDE SINK PARTS	5-6
SINK MODULE ASSEMBLY	7-16
SIDE SINK OPERATION	17
CLEANING AND MAINTENANCE	18
WARRANTY	19



SPECIFICATIONS



Water supply:	Garden hose
Drainage:	Flexible drainage
Dimensions:	see above picture
Weight:	20 kg
Packaging dimensions:	W870; L690; H295
Construction materials:	Stainless steel 304



IMPORTANT INFORMATION AND SAFETY

- This module must be assembled exactly according to the instructions in the manual. If the module was store assembled, you must review the assembly instructions to confirm correct assembly before operating the module.
- Read the entire instruction manual before operating the module.
- Under no circumstances should this module be modified.
- Do not leave water running in the sink when unattended. Water must be turned off at the sink faucet and at the wall faucet when it is not in use.
- Disconnect and drain the hoses attached to the module when not in use.
- Inspect the water supply hose before each use. If there is evidence of excessive abrasion or wear or the hose is cut, it must be replaced prior to using the module with a replacement hose assembly specified by the manufacturer.
- Young children should be supervised near the module.
- Do not leave module unattended when operating.
- To protect against electric shock, keep any electrical supply away from wet surfaces.
- Clean sink and faucet regularly.
- Do not use a pressure washer to clean any part of the module.
- Do not use the sink to dispose of hazardous materials such as paints, oils and solvents.
- Do not operate the module when the temperature falls below freezing, (320F)-(00C). Drain the water from the supply and the drain lines when below freezing temperatures are expected.

ELECTRICAL PRECAUTIONS:

1. To protect against electric shock, do not immerse cord or plugs in water or other liquid;
2. Unplug from the outlet when not in use and before cleaning. Allow to cool before putting on or taking off parts;
3. Do not operate any outdoor cooking gas appliance with a damaged cord, plug, or after the appliance malfunctions or has been damaged in any manner. Contact the manufacturer for repair;
4. Do not let the cord hang over the edge of a table or touch hot surfaces;
5. Do not use an outdoor cooking gas appliance for purposes other than intended;
6. When connecting, first connect plug to the outdoor cooking gas appliance then plug appliance into the outlet;
7. Use only a Ground Fault Interrupter (GFI) protected circuit with this outdoor cooking gas appliance;
8. Never remove the grounding plug or use with an adapter of 2 prongs; and
9. Use only extension cords with a 3-prong grounding plug, rated for the power of the equipment, and approved for outdoor use.



WARNING
FOR OUTDOOR USE ONLY.

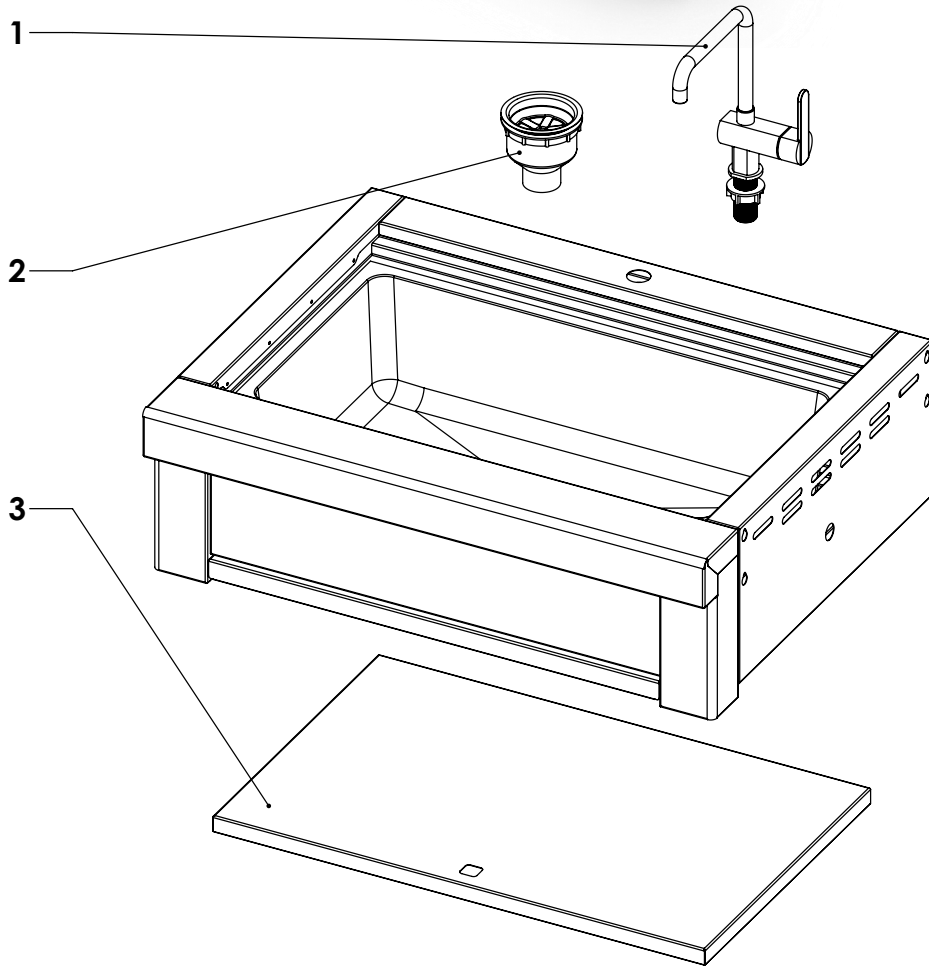


WARNING

Do not install in or connect to the consumer piping or gas supply system of a boat or caravan.

Read and retain this manual for future reference.

SIDE SINK PARTS

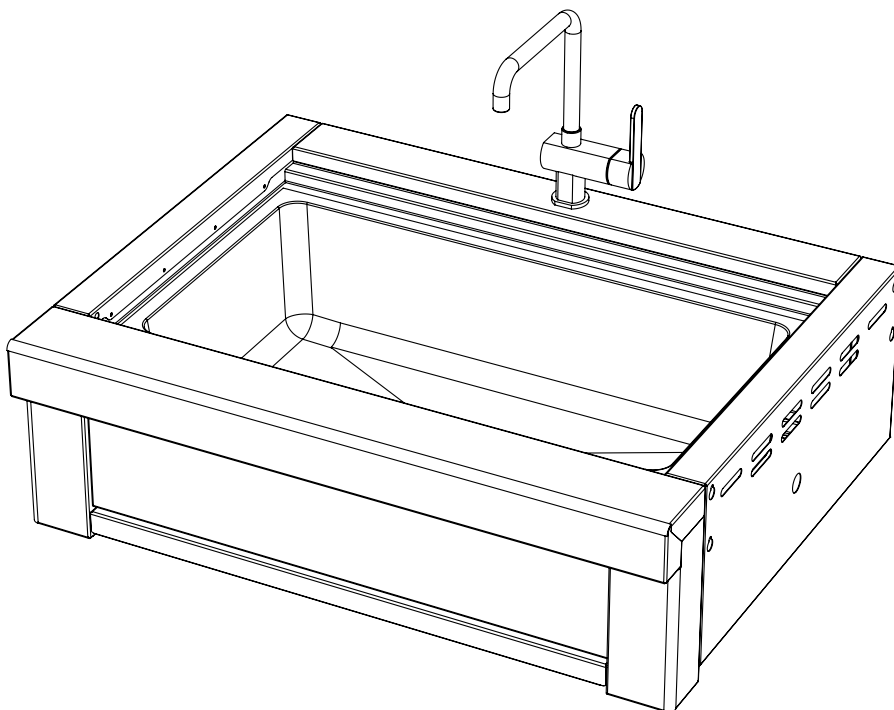


SIDE SINK PARTS

(CONTINUED)

ITEM	PART NUMBER	DESCRIPTION	QTY.
1	MLBBQ 505-001	SINK FAUCET	1
2	MLBBQ 505-002	SINK DRAINER HEAD	1
3	MLBBQ 505-003	SINK DBL LID	1

This sink unit is intended for use with outdoor tap and cold water only.

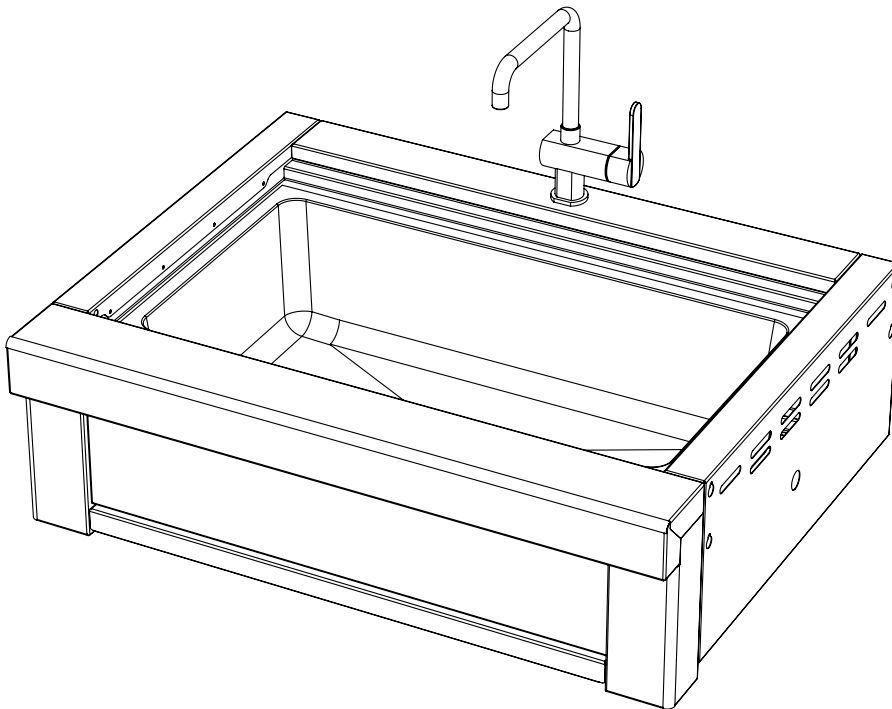


SINK MODULE ASSEMBLY



INSTALATION & ASSEMLBY

- Remove all cart panels, hardware, and sink from the carton. Use the parts list to ensure all necessary parts are included.
- Do not destroy packaging until the module has been fully assembled and operates to your satisfaction.
- Assemble the module where it is to be used, lay down cardboard or a towel to protect parts from being lost or damaged while assembling.
- Most stainless-steel parts are supplied with a protective plastic coating that must be removed prior to using the module.
- Follow all instructions in the order that they are laid out in this manual.
- Two people are required to set the sink head into the BBQ.
- **The sink module can only be assembled on the left side of the BBQ**



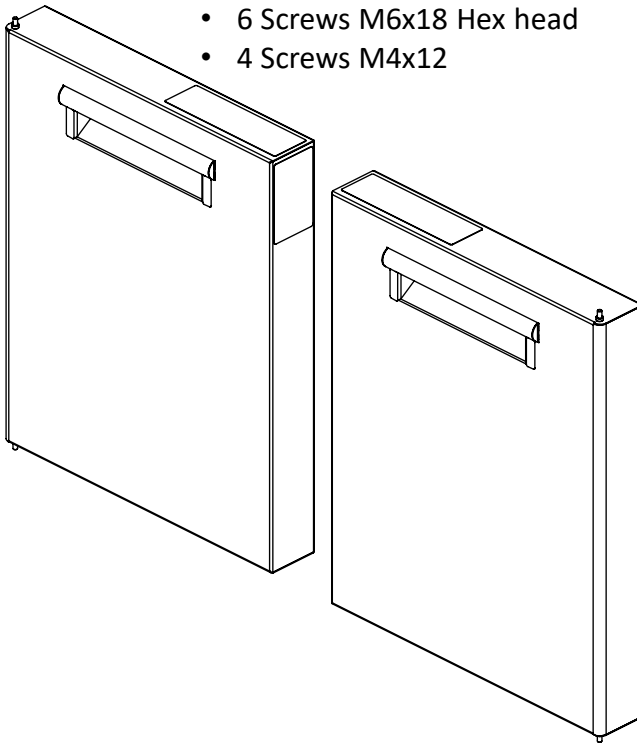
CART ASSEMBLY INSTRUCTIONS

Bolt pack content:

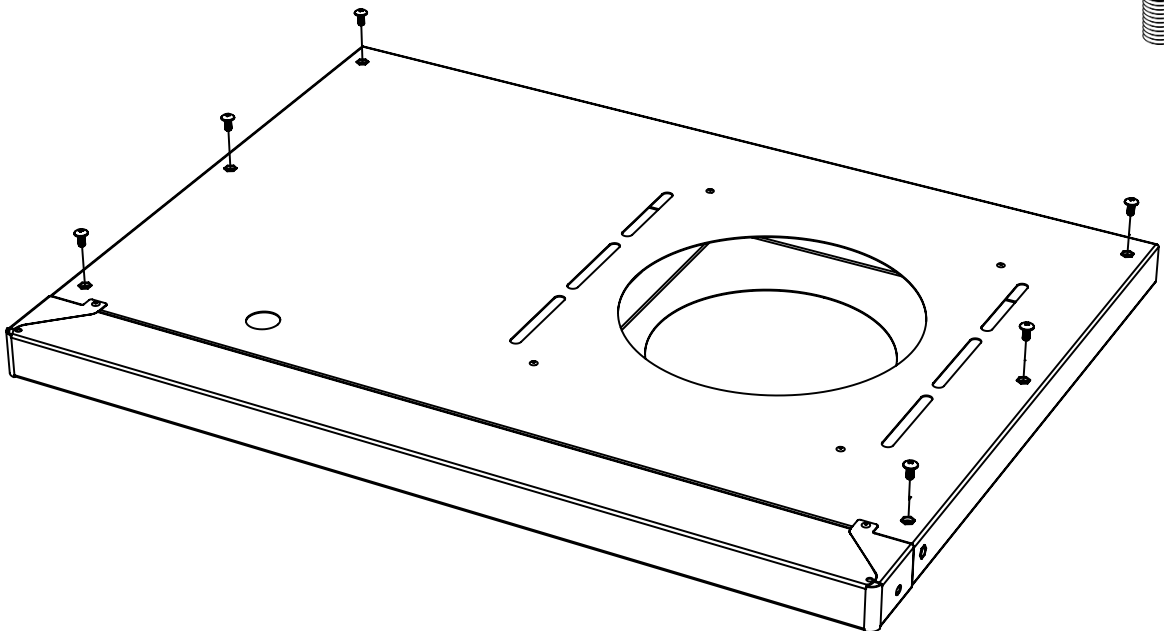
- 54 Screws M6x12 Pan head
- 6 Screws M6x18 Hex head
- 4 Screws M4x12

Tools needed:

- Philip screwdriver
- Spanner 10

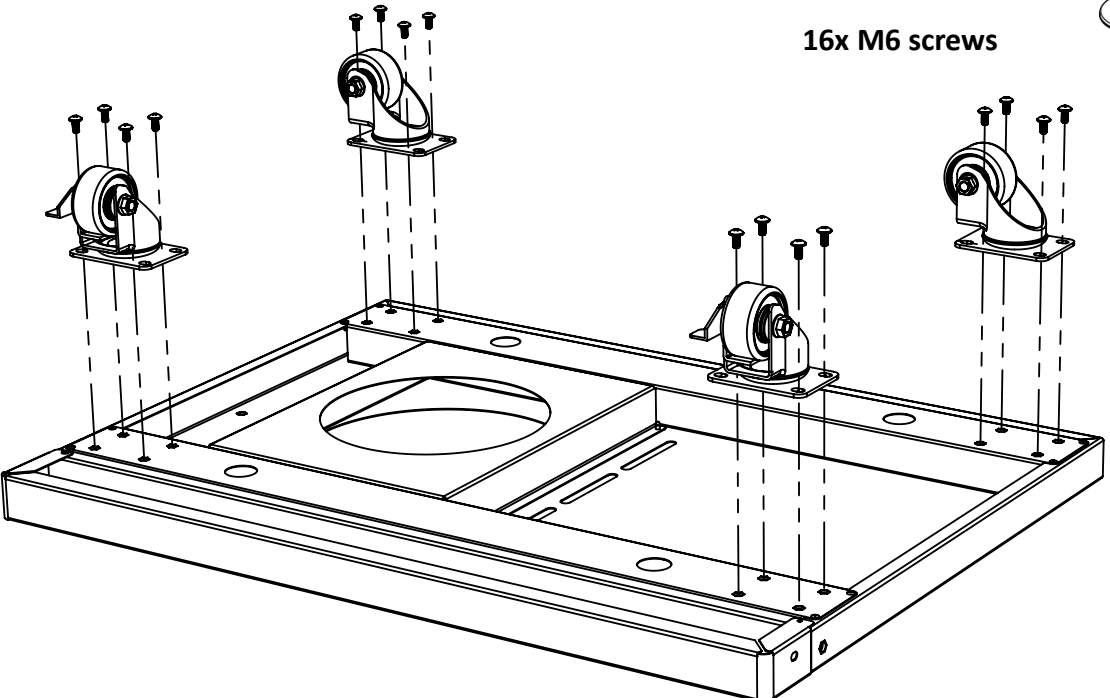


6x M6 screws



Half screw in the screws in the bottom plate as shown.

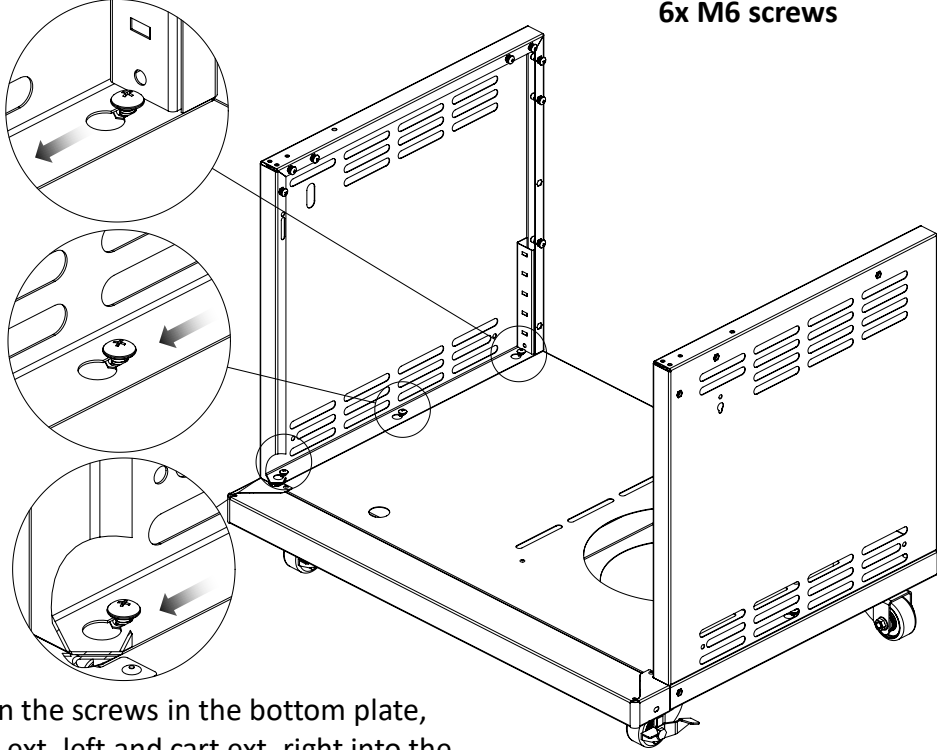
CART ASSEMBLY INSTRUCTIONS (CONTINUED)



16x M6 screws

Please insert casters and caster adjust lock into the Cart bottom shelf using M6 screws as shown

This diagram illustrates the installation of casters and adjust locks onto the cart's bottom shelf. Four casters are shown being attached to the corners of the shelf. Each caster is secured with three screws. The text indicates that a total of 16 M6 screws are used for this step. A single M6 screw is shown in the top right corner for reference.



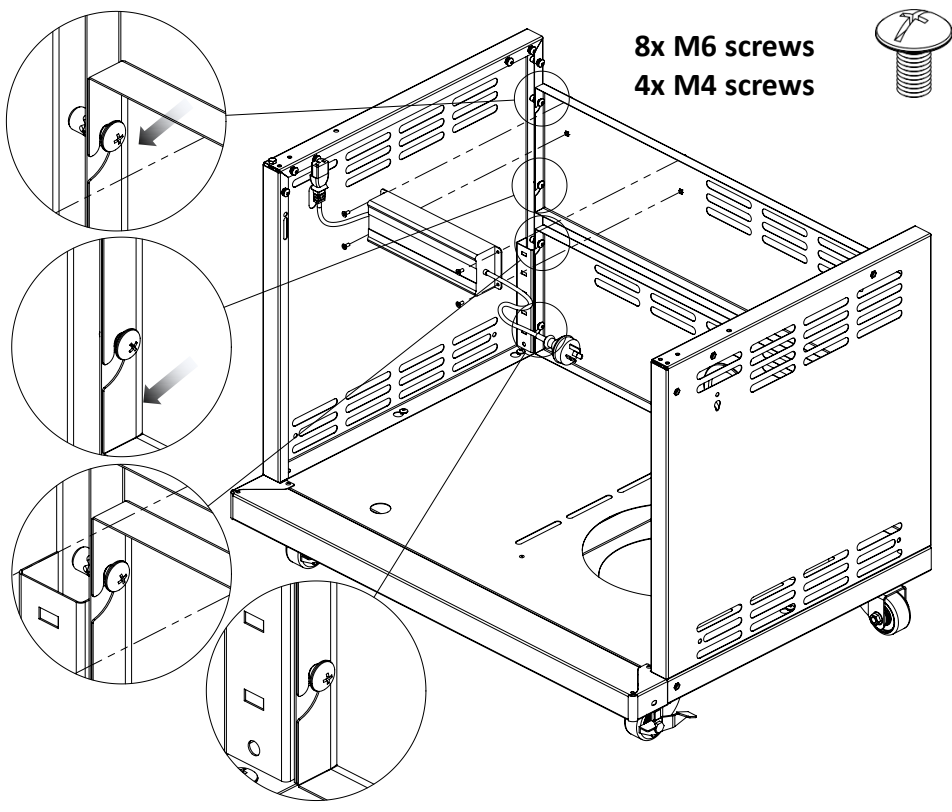
6x M6 screws

Half screw in the screws in the bottom plate, then fit cart ext. left and cart ext. right into the relevant screw holes and screw tightly

This diagram shows the final assembly steps. It features three circular callouts that provide close-up views of the screws being inserted into the bottom plate. The main illustration shows the cart's side panels being attached to the bottom shelf. The text specifies that 6 M6 screws are used for this step. A single M6 screw is shown in the top right corner for reference.

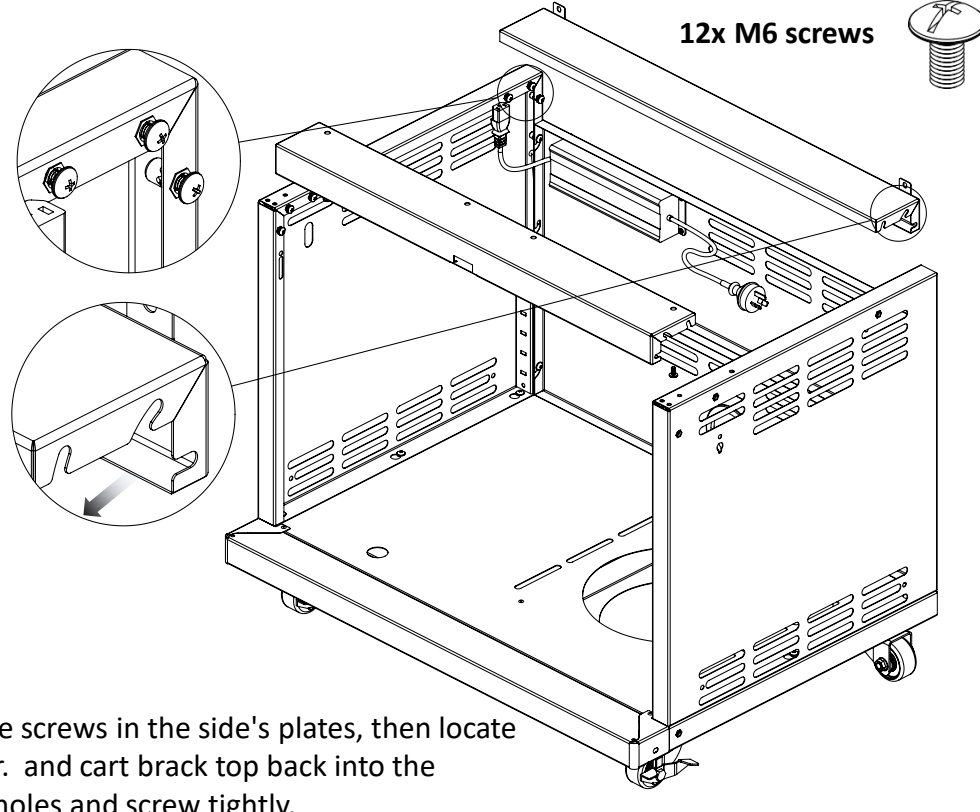


CART ASSEMBLY INSTRUCTIONS (CONTINUED)



8x M6 screws
4x M4 screws

1. Half screw in, the screws in the side's plates, then locate cart rear top and cart rear bott into the relevant screw holes and screw tightly.



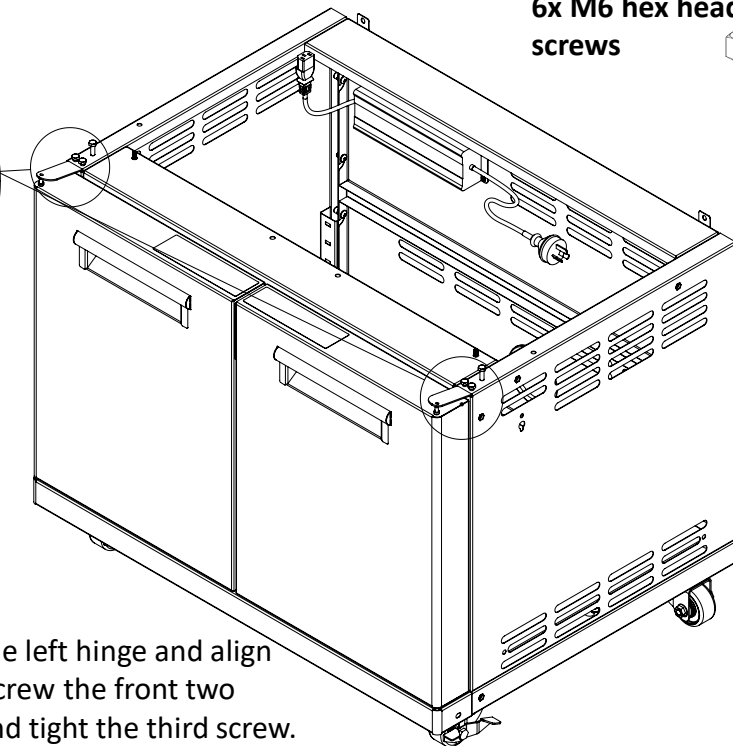
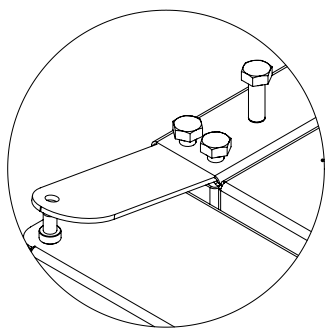
12x M6 screws

Half screw in the screws in the side's plates, then locate cart back top fr. and cart back top back into the relevant screw holes and screw tightly.

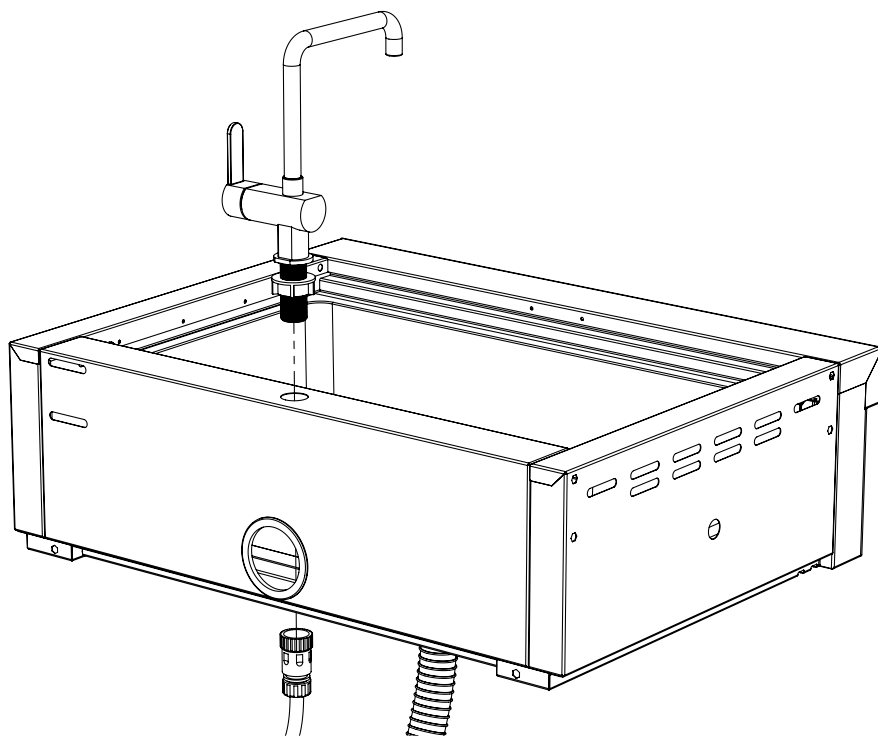


CART ASSEMBLY INSTRUCTIONS (CONTINUED)

6x M6 hex head screws

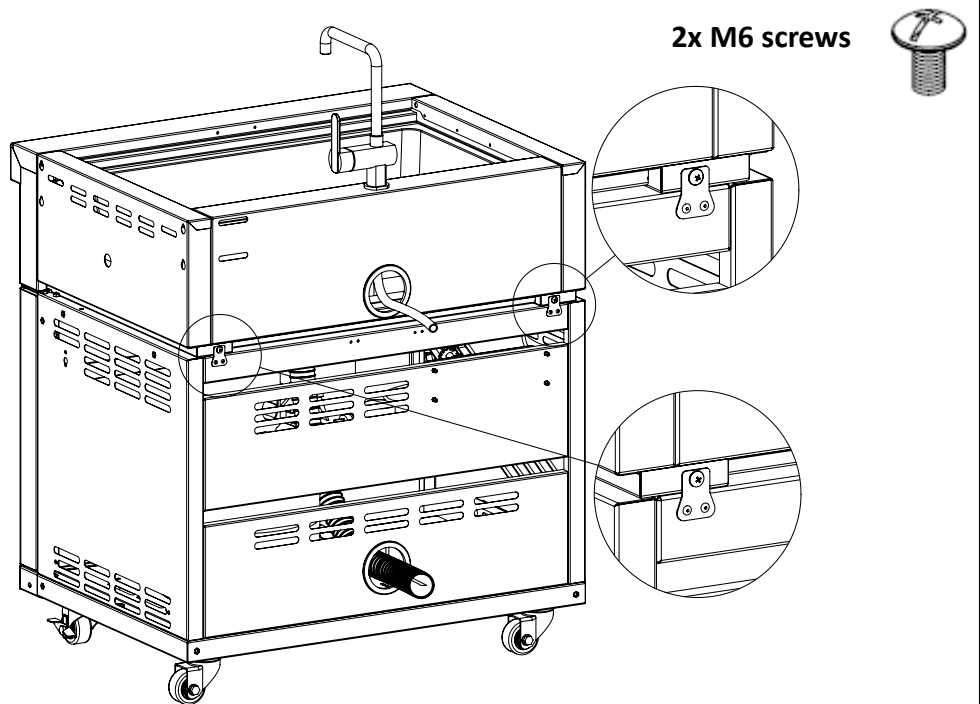
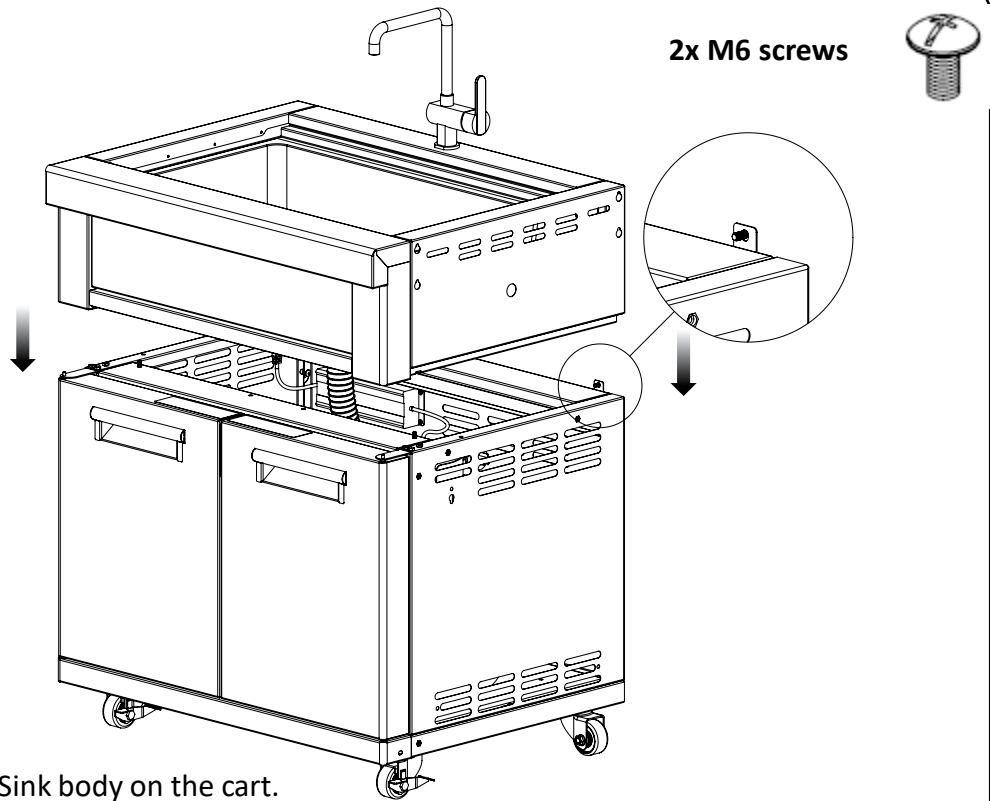


From inside the cart, insert the left hinge and align with the screw's holes. Half screw the front two screws, insert the left door and tight the third screw. Same procedure for the right door

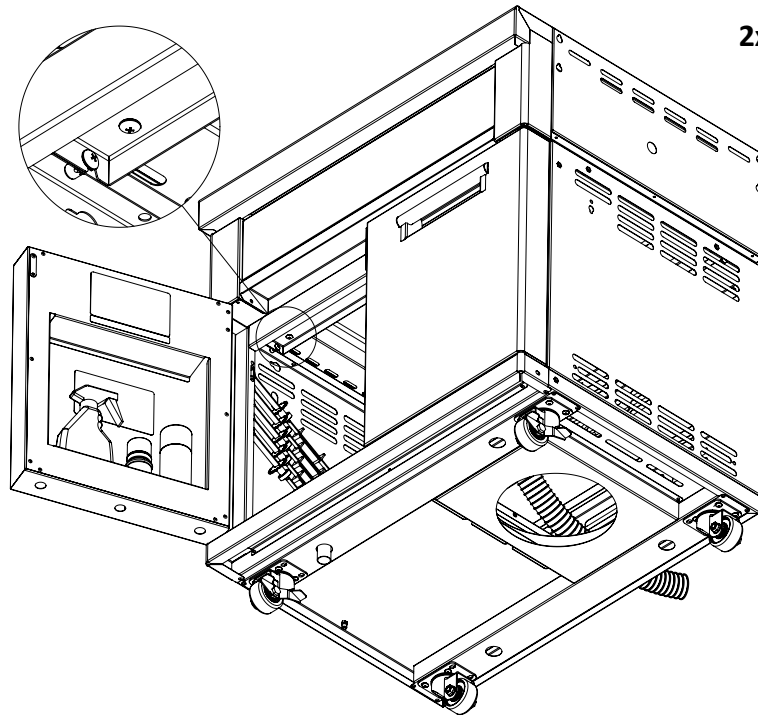


- Assembly the faucet as indicated in the figure

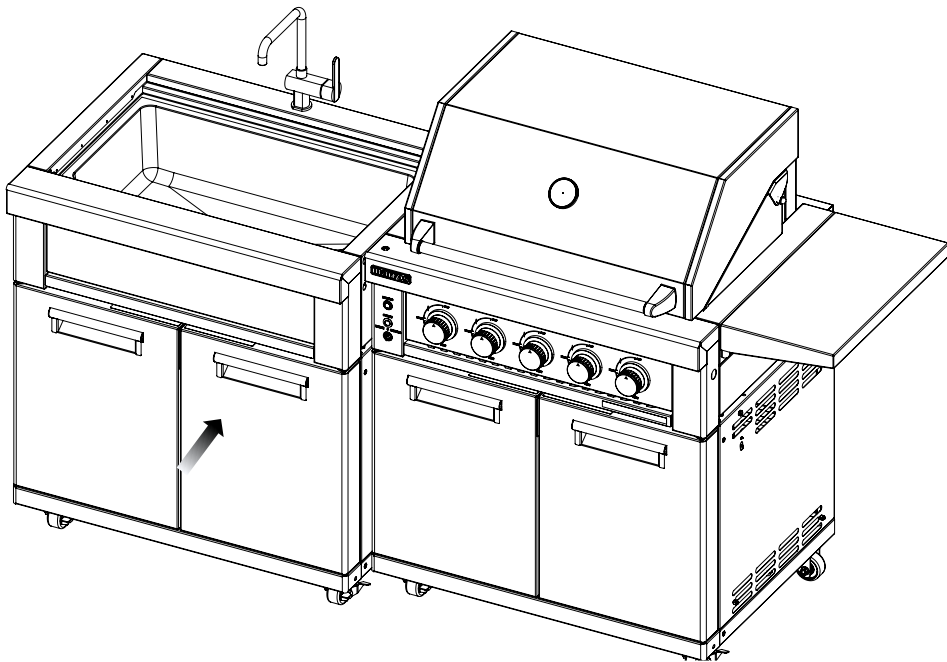
INSTALATION & ASSEMBLY (continued)



INSTALATION & ASSEMBLY (continued)

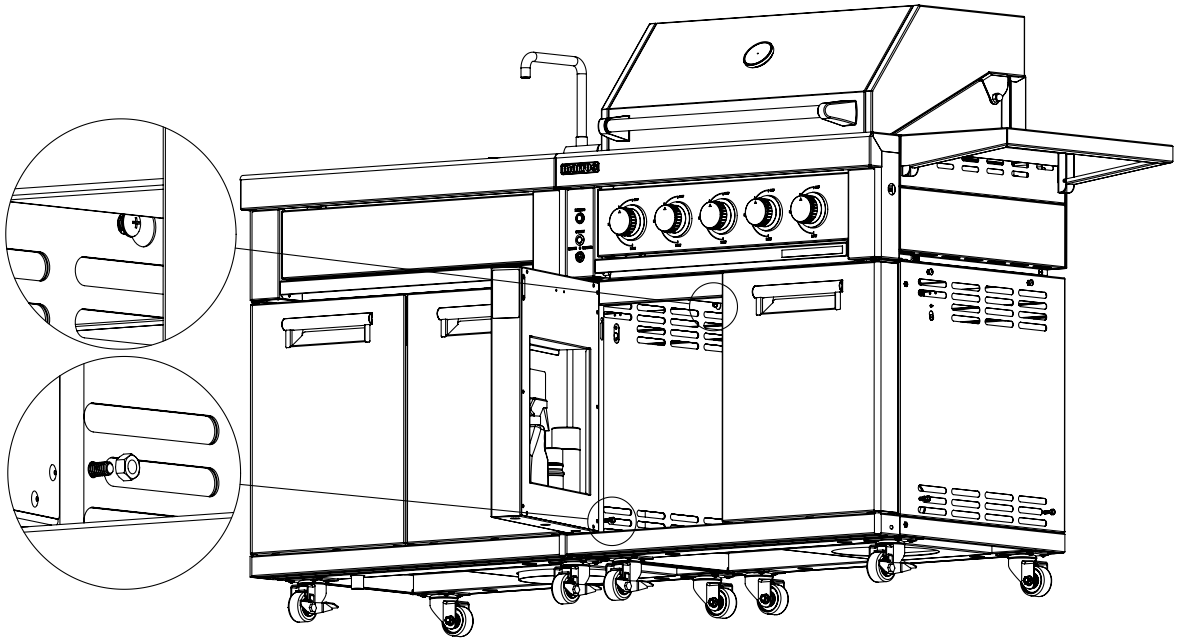


Screw the side Sink and the cart in front left with 1x M6 screws at the cart front bracket. Repeat the procedure for the right side

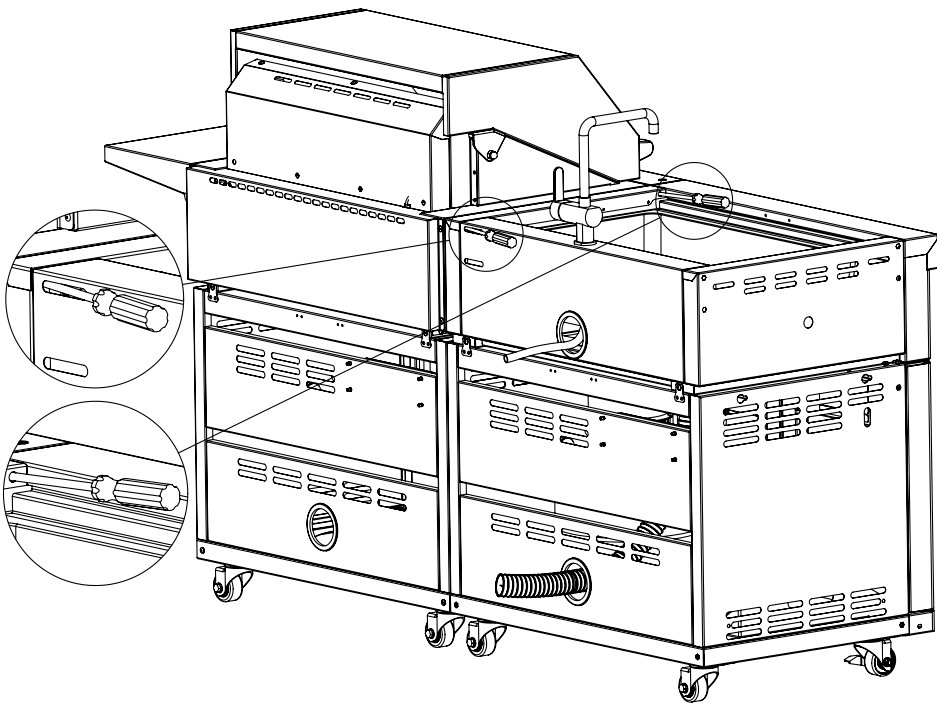


- To add the side cupboards, slide them from the front, aligning the side key slots with the screws

INSTALATION & ASSEMBLY (continued)

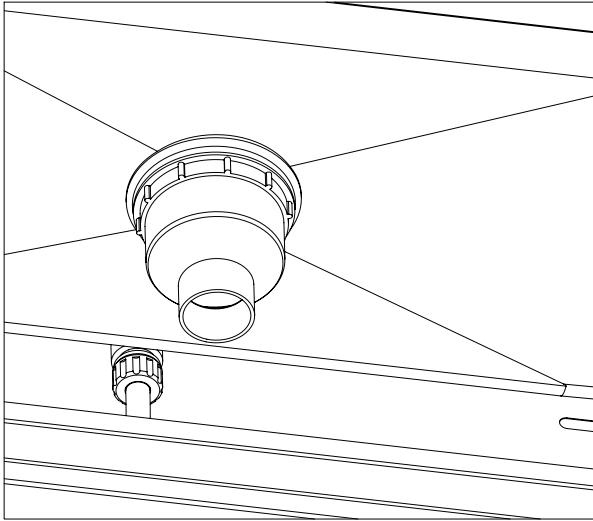


After alignment tighten two screws on top of the carts and two screws and nuts at the bottom as shown

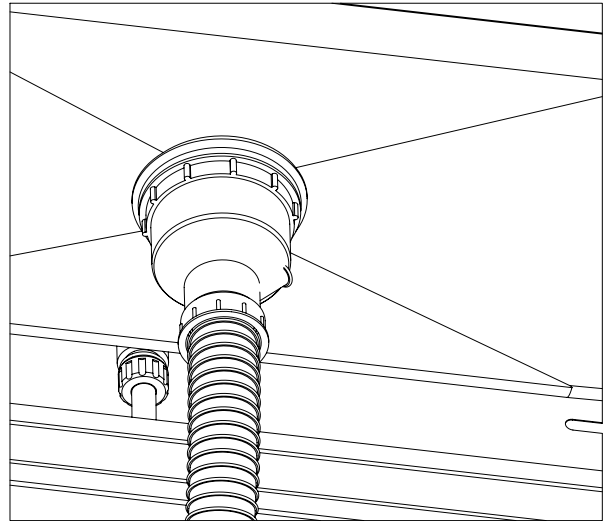


Have the four screws on the left side of the grill half screwed in and align the slots of the side Sink with the screws. Tighten the screws as shown

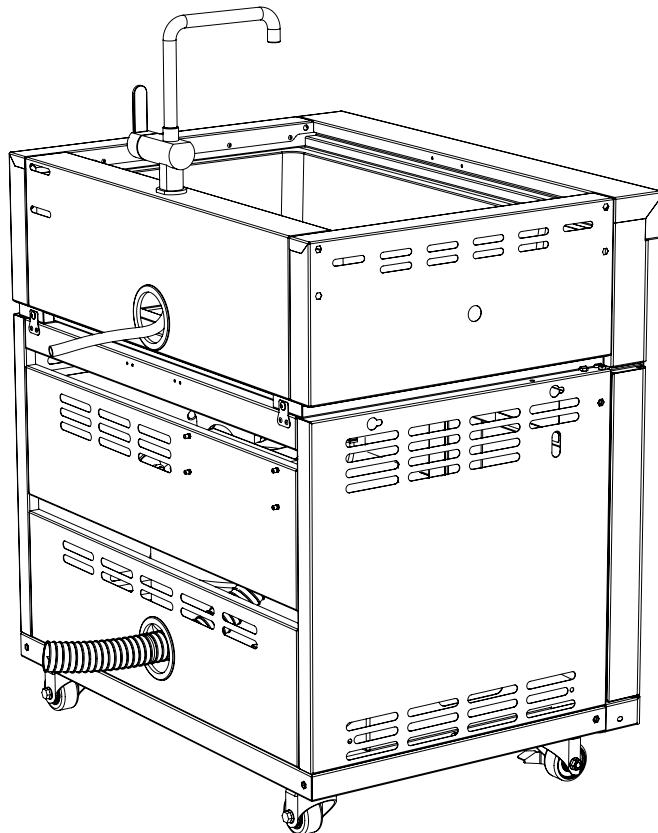
INSTALATION & ASSEMBLY (continued)



Garden hose with a quick disconnect (not included)



Flexible drain hose (not included)



Showing entries of the hoses if a cart is used



SIDE SINK OPERATION

- This module must be assembled exactly according to the instructions in the manual. If the module was store assembled, you must review the assembly instructions to confirm correct assembly before operating the module.
- Read the entire instruction manual before operating the module.
- The sink can be connected with a garden hose and flexible drain for mobility, and can also be connected to fixed plumbing, by a certified plumber.
- The instructions are for garden hose and flexible drain, for fixed plumbing contact a certified plumber.
- Under no circumstances should this module be modified.
- Do not leave water running in the sink when unattended. Water must be turned off at the sink faucet and at the wall faucet when it is not in use.
- Disconnect and drain the hoses attached to the module when not in use.
- Inspect the water supply hose before each use. If there is evidence of excessive abrasion or wear or the hose is cut, it must be replaced prior to using the module with a replacement hose assembly specified by the manufacturer.
- Young children should be supervised near the module.
- Do not leave module unattended when operating.
- To protect against electric shock, keep any electrical supply away from wet surfaces.
- Clean sink and faucet regularly.
- Do not use a pressure washer to clean any part of the module.
- Do not use the sink to dispose of hazardous materials such as paints, oils and solvents.
- Do not operate the module when the temperature falls below freezing, (320F)-(00C). Drain the water from the supply and the drain lines when below freezing temperatures are expected.



CLEANING AND MAINTENANCE

STAINLESS STEEL CLEANING AND MAINTENANCE

- Stainless steel is a corrosion resistant chromium/nickel alloy steel that is both durable as well as strong with an outstanding lustre. The goal of your cleaning and maintenance routine should be to keep the stainless steel's protective chromium oxide layer intact. This is what prevents corrosion. Contrary to popular belief, stainless steel is NOT rustproof, especially in the environment of a swimming pool. Chlorine, bromine, some fertilizers and other elements are extremely caustic chemicals for stainless steel. These chemicals combined with heat and humidity greatly increase the corrosiveness of these chemicals. Regular cleaning is the best way to prevent corrosion and add years of enjoyment to your stainless-steel products.
- **Cleaning The Surface:** Do not use abrasive cleaners or steel wool on any painted, porcelain or stainless-steel part of your Napoleon Module, doing so will scratch the finish. Exterior painted surfaces should be cleaned with warm soapy water. To clean stainless surfaces, use a stainless steel or a non-abrasive cleaner. Always wipe in the direction of the grain.



WARRANTY

This document sets out the terms and conditions of the product warranties for Marros Appliances. It is an important document. Please keep it with your proof of purchase documents in a safe place for future reference should there be a manufacturing defect in your Appliance. This warranty is in addition to other rights you may have under the Australian Consumer Law.

This warranty only applies to Appliances, purchased and used in Australia or New Zealand in normal domestic applications and is in addition to (and does not exclude, restrict, or modify in any way) any non-excludable statutory guarantees in Australia and New Zealand.

Warranty Term

Subject to the conditions set out below, this product is warranted to the purchaser to be free from defects in workmanship and materials from the date of purchase for the terms specified below:

5 YEARS- Firebox and Roasting Hood

3 YEARS- All other parts

Warranty Conditions

- The warranty is non-transferable and is limited to the original purchaser.
- Satisfactory proof of purchase (as defined in the Competition and Consumer Act 2010) must be furnished at the time of notification of the defect for a claim under this warranty to be enforceable.
- This warranty covers all parts found to be defective in workmanship and/or materials during the warranty period. Marros total liability in respect of a claim by a consumer under the CCA for a minor problem (as defined in the CCA) with a product is limited, at our option, to providing the consumer with a refund, replacement or repairing the product.
- For major failures (as the term defined in the CCA) you are entitled to a replacement or refund and for compensation for any other reasonably foreseeable loss or damage.
- To implement this warranty, please return this product to the place of purchase or nominated service agent, otherwise a service call out fee will be charged and refunded if claim is warrantable

Installation Conditions

- All installations must conform to the applicable Gas, Electrical and Building Standards as laid down by the local codes for state or region.

Warranty Exclusions

You may not make a claim under this warranty unless the defect claimed is due to faulty or defective parts or workmanship. Marros is not liable in the following situations (which are not exhaustive):

The Appliance is damaged by:

- Accident
- misuse or abuse, including failure to properly maintain or service
- normal wear and tear
- power surges, electrical storm damage or incorrect power supply
- incomplete or improper installation
- incorrect, improper or inappropriate operation
- insect or vermin infestation
- failure to comply with any additional instructions supplied with the Appliance
- the Appliance is modified without authority from Marros in writing
- the Appliance's serial number or warranty seal has been removed or defaced
- the Appliance was serviced or repaired by anyone other than an authorised repairer or ASC.
- Commercial use

This warranty, the contract to which it relates and the relationship between you and Marros are governed by the law applicable where the Appliance was purchased.

Consumer Guarantee

Our appliances come with a guarantee that cannot be excluded under the Australian Consumer Law. You are entitled to a replacement or refund for a major failure and for compensation for any other reasonably foreseeable loss or damage. You are also entitled to have the goods repaired or replaced if the goods fail to be of acceptable quality and the failure does not amount to a major failure.

Subject to the above paragraphs, all express or implied representations, conditions, statutory guarantees, warranties and provisions (whether based on statute, common law or otherwise), related to this warranty, that are not contained in it, are excluded to the fullest extent permitted by law.

Nothing in this warranty excludes, restricts or modifies any conditions, warranty, statutory guarantee, right or remedy, implied or imposed by common law, statute or regulation, which cannot be lawfully excluded, restricted or modified

Attach the copy of the purchase receipt here:

Date of Purchase _____

Purchased from _____

Location _____

Model Name and Number _____

Receipt Number _____



marros

Smart thinking for fine living

Visit: <https://selfcleaningbbq.com.au/>

Your purchase receipt will be required for warranty claims