

# **MARROS SELF-CLEANING BARBECUES**

**SINGLE CART**



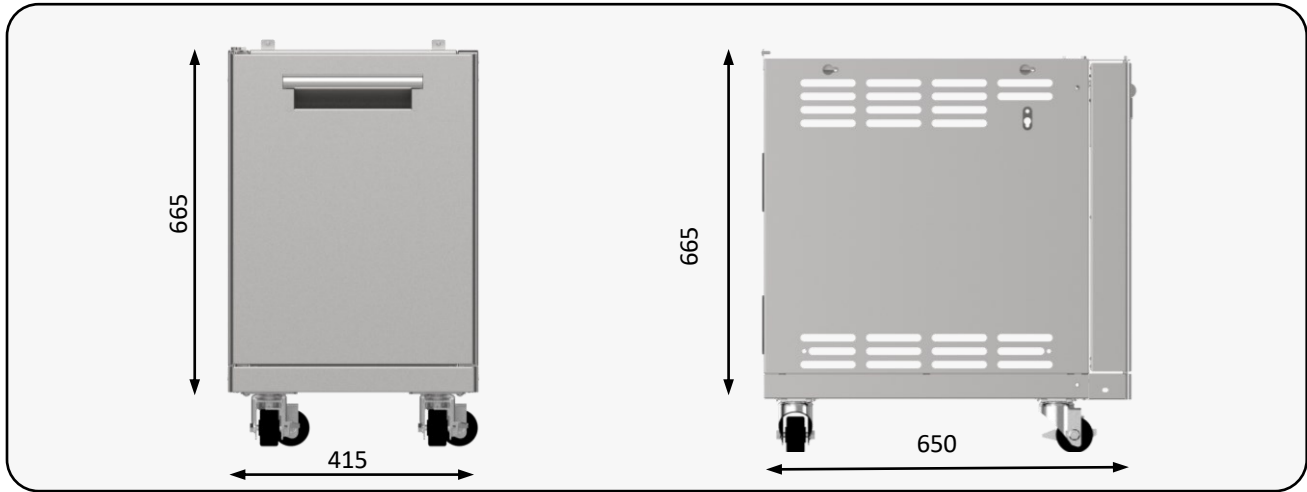
Before assembling the cart, remove any packaging material within and around the cart, supplied for protection during transit

Retain manual for future reference

# CONTENTS

DIMENSIONS	3
IMPORTANT INFORMATION AND SAFETY	4
SIDE CART PARTS	5-6
INSTALLATION AND ASSEMBLY	7-13
CLEANING AND MAINTENANCE	14
WARRANTY	15

# DIMENSIONS



Weight:	22kg
Packaging dimensions:	W555; L725; H255
Construction materials:	Stainless steel 304



# IMPORTANT INFORMATION AND SAFETY

- This module must be assembled exactly according to the instructions in the manual. If the module was store assembled, you must review the assembly instructions to confirm correct assembly before operating the module.
- Read the entire instruction manual before operating the module.
- Under no circumstances should this module be modified.
- Young children should be supervised near the module.
- Do not leave module unattended when operating.
- To protect against electric shock, keep any electrical supply away from wet surfaces.
- Clean cart regularly.
- Do not use a pressure washer to clean any part of the module.

DO NOT STORE OR KEEP A GAS BOTTLE IN THIS CART

## ELECTRICAL PRECAUTIONS:

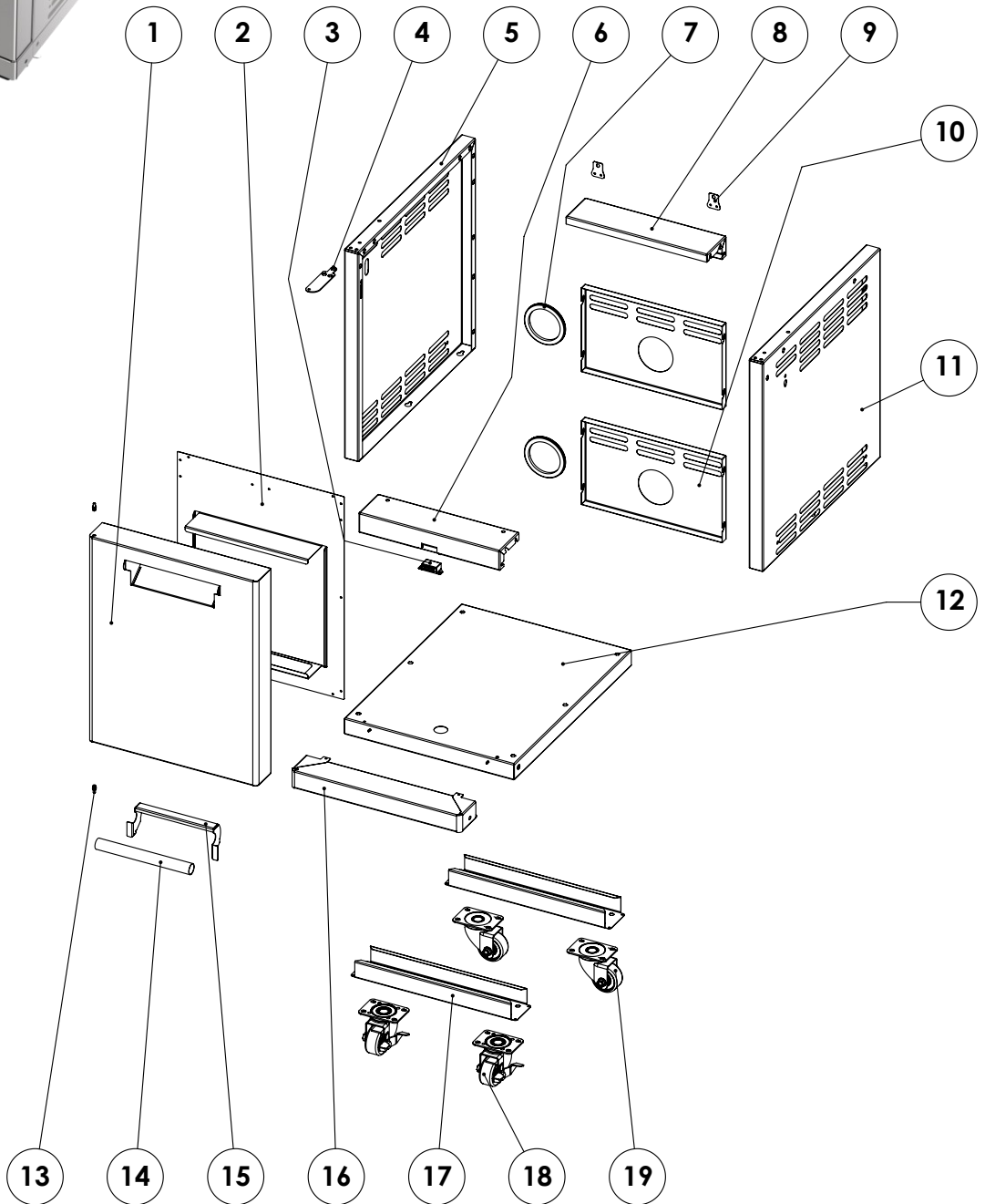
1. To protect against electric shock, do not immerse cord or plugs in water or other liquid;
2. Unplug from the outlet when not in use and before cleaning. Allow to cool before putting on or taking off parts;
3. Do not operate any outdoor cooking gas appliance with a damaged cord, plug, or after the appliance malfunctions or has been damaged in any manner. Contact the manufacturer for repair;
4. Do not let the cord hang over the edge of a table or touch hot surfaces;
5. Do not use an outdoor cooking gas appliance for purposes other than intended;
6. When connecting, first connect plug to the outdoor cooking gas appliance then plug appliance into the outlet;
7. Use only a Ground Fault Interrupter (GFI) protected circuit with this outdoor cooking gas appliance;
8. Never remove the grounding plug or use with an adapter of 2 prongs; and
9. Use only extension cords with a 3-prong grounding plug, rated for the power of the equipment, and approved for outdoor use.



**WARNING**  
FOR OUTDOOR USE ONLY.

**Read and retain this manual for future reference.**

# SINGLE CART PARTS



# SINGLE CART PARTS

## (CONTINUED)

ITEM	PART NUMBER	DESCRIPTION	QTY.
1	MLBBQ 606-001	CART DOOR EXT LEFT	1
2	MLBBQ 606-002	CART DOOR INT	1
3	MLBBQ 606-003	CART MAGNET	1
4	MLBBQ 606-004	CART HINGE	1
5	MLBBQ 606-005	CART EXT LEFT	1
6	MLBBQ 606-006	CART TOP FRONT BRACKET (SGL)	1
7	MLBBQ 606-007	CART RUBBER CIRCLE	2
8	MLBBQ 606-008	CART TOP BACK BRACKET(SGL)	1
9	MLBBQ 606-009	CART JOIN BRACKET	2
10	MLBBQ 606-010	CART REAR PANEL BOTTOM	1
11	MLBBQ 606-011	CART EXT RIGHT	1
12	MLBBQ 606-012	CART BOTT (SGL)	1
13	MLBBQ 606-013	DOOR HINGE	2
14	MLBBQ 606-014	CART HANDLE	1
15	MLBBQ 606-015	CART HANDLE HOLD	1
16	MLBBQ 606-016	CART FRONT BOTT SGL	1
17	MLBBQ 606-017	CART FEET BRACKET SGL	2
18	MLBBQ 606-018	CASTER ADJUST LOCK	2
19	MLBBQ 606-019	CASTER	2

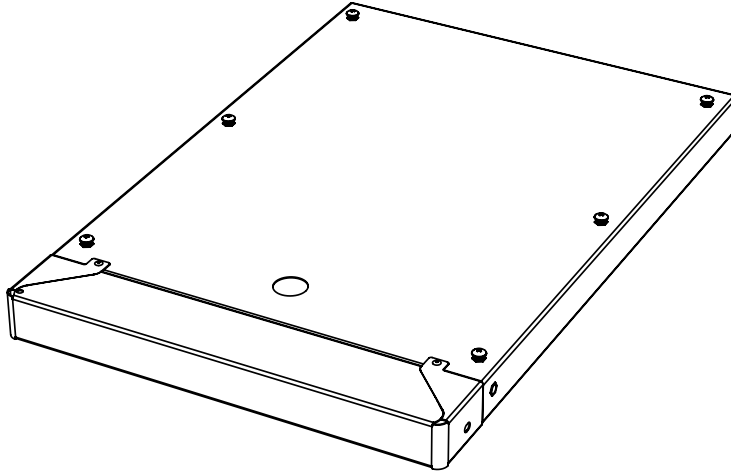
This single cart unit unit is intended for use with the single module accessories as the sink, side burner or Hybrid Grill.

# INSTALLATION & ASSEMBLY

- Remove all cart panels and hardware from the carton. Use the parts list to ensure all necessary parts are included.
- Do not destroy packaging until the module has been fully assembled and operates to your satisfaction.
- Assemble the module where it is to be used, lay down cardboard or a towel to protect parts from being lost or damaged while assembling.
- Most stainless-steel parts are supplied with a protective plastic coating that must be removed prior to using the module.
- Follow all instructions in the order that they are laid out in this manual.
- Two people are required to set the cart in position into the BBQ.

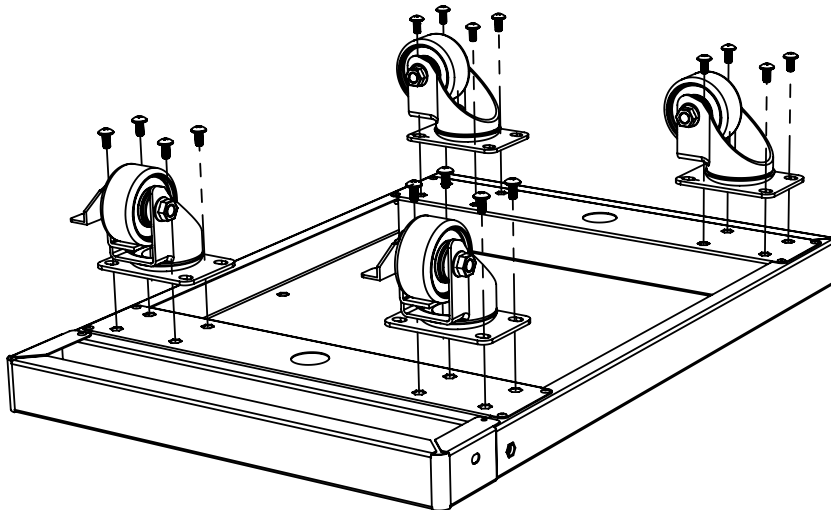
# ASSEMBLY INSTRUCTIONS

6x M6 screws



Screw halfway 6x M6 screws as shown.

16x M6 screws



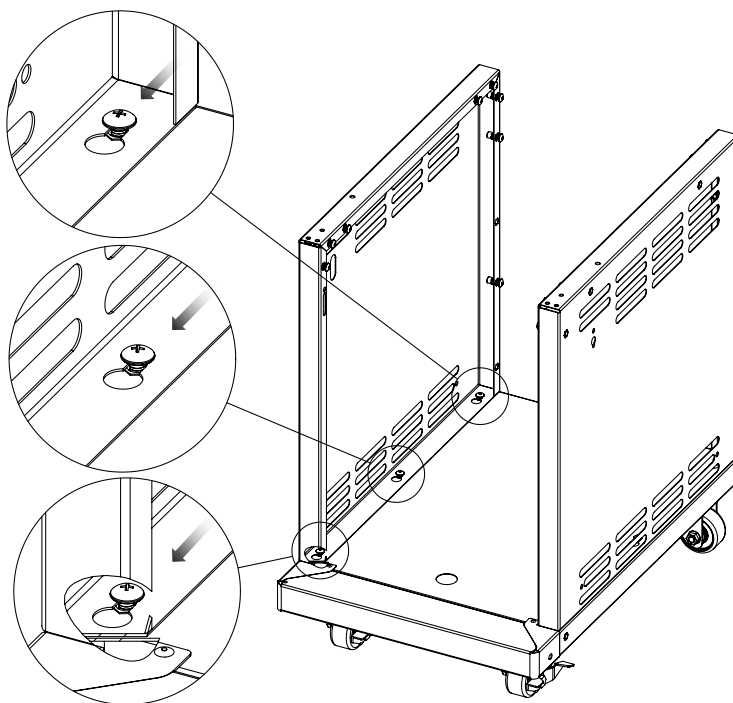
Insert the castors into the Cart bottom shelf using M6 screws. The adjustable castors in the front



# ASSEMBLY INSTRUCTIONS

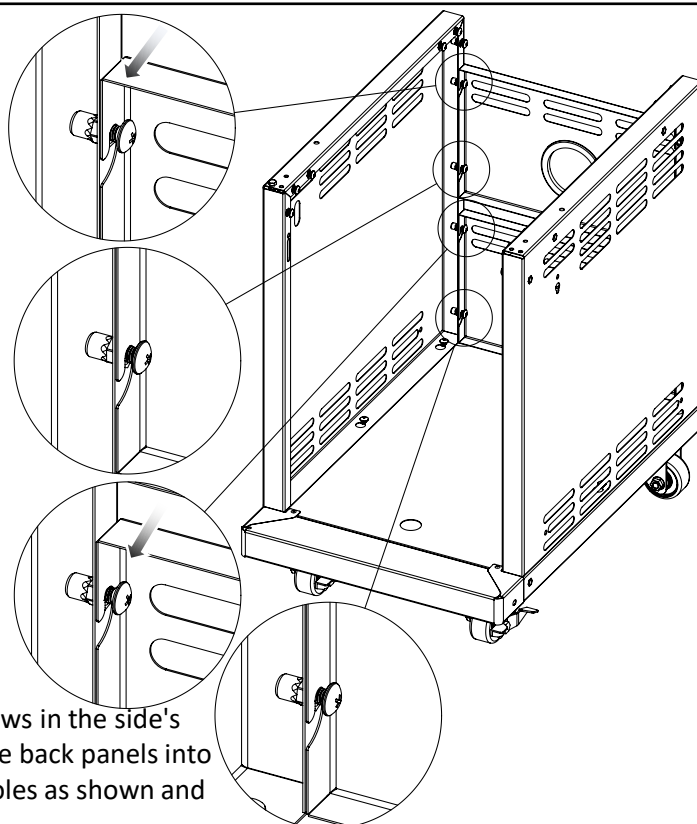
(CONTINUED)

6x M6 screws



Half screw in the screws in the bottom plate, then fit the sides into the relevant screw holes and screw tightly

8x M6 screws

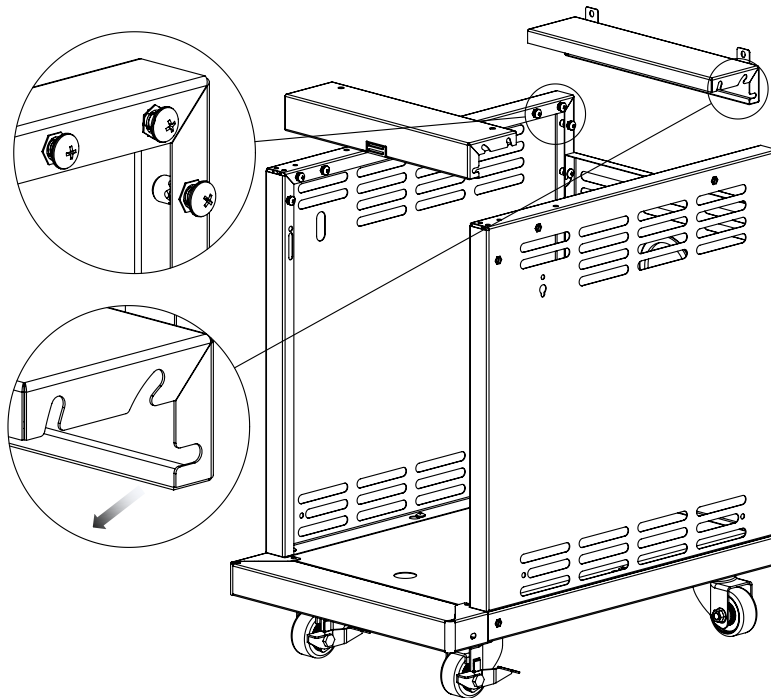


Half screw in the screws in the side's plates, then locate the back panels into the relevant screw holes as shown and screw tightly

# ASSEMBLY INSTRUCTIONS

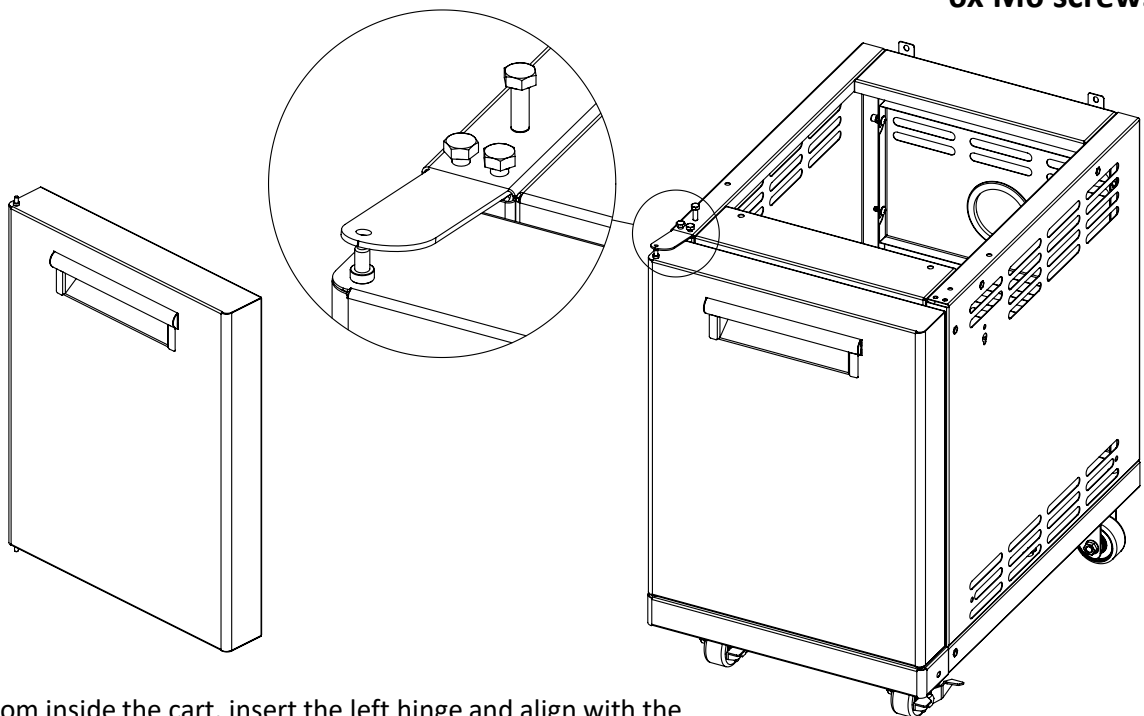
(CONTINUED)

12x M6screws



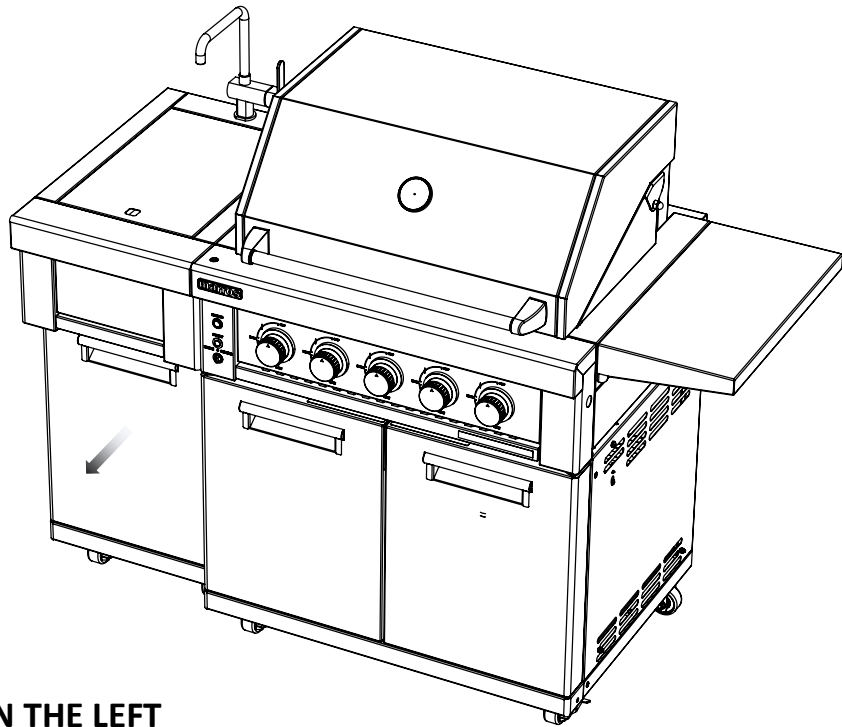
Half screw in the screws in the side's plates, then locate the top brackets into the relevant screw holes and screw tightly.

6x M6 screws



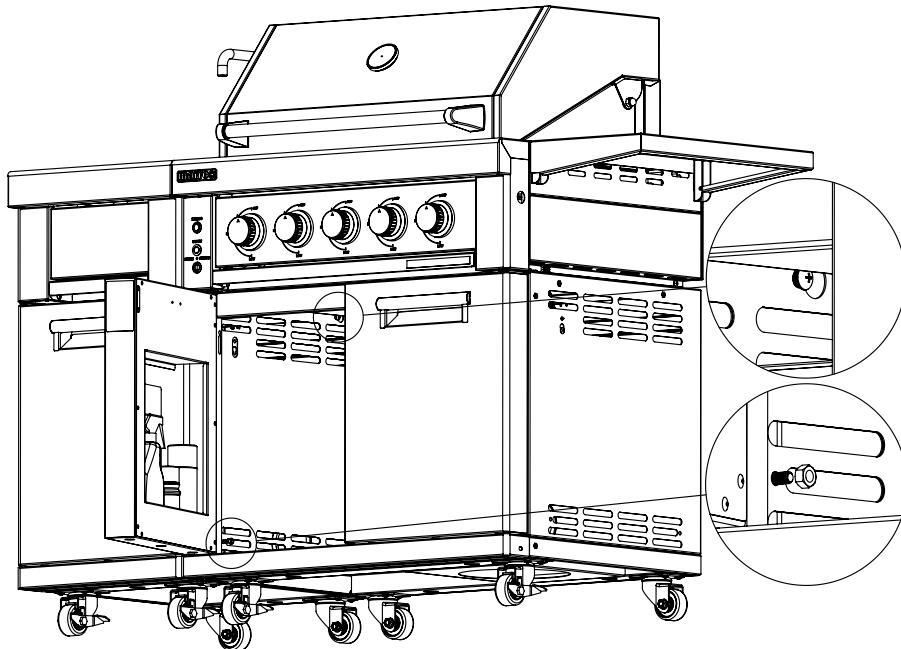
From inside the cart, insert the left hinge and align with the screw's holes. Half screw the front two screws, insert the left door and tight the third screw.

# INSTALLING INSTRUCTIONS



## CUPBOARD ON THE LEFT

- To add the side cupboards, slide them from the back, aligning the side key slots with the screws

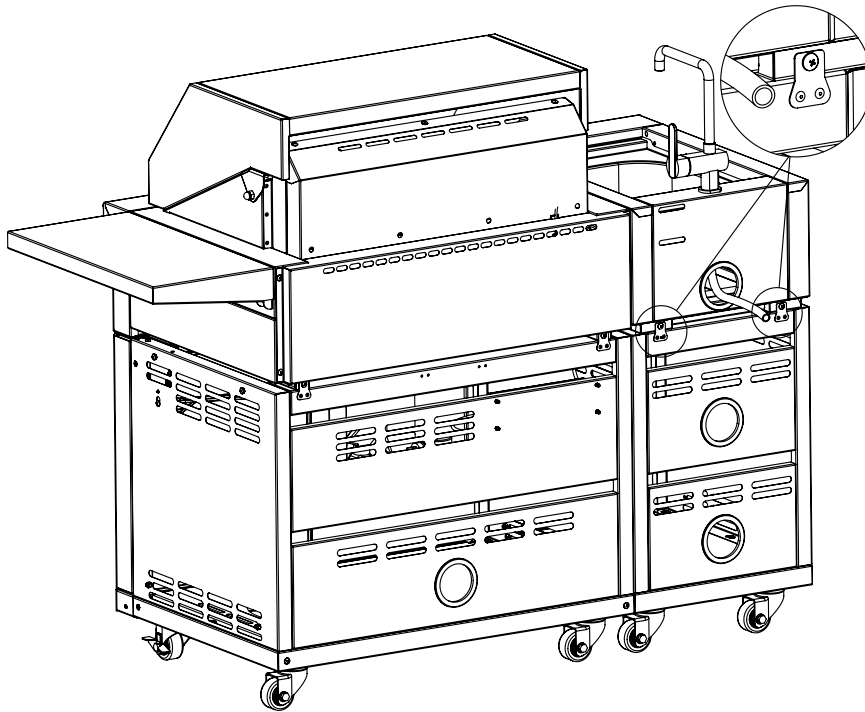


## CUPBOARD ON THE LEFT

- After cart alignment, tighten two screws on top and two screws with nuts at the bottom as shown

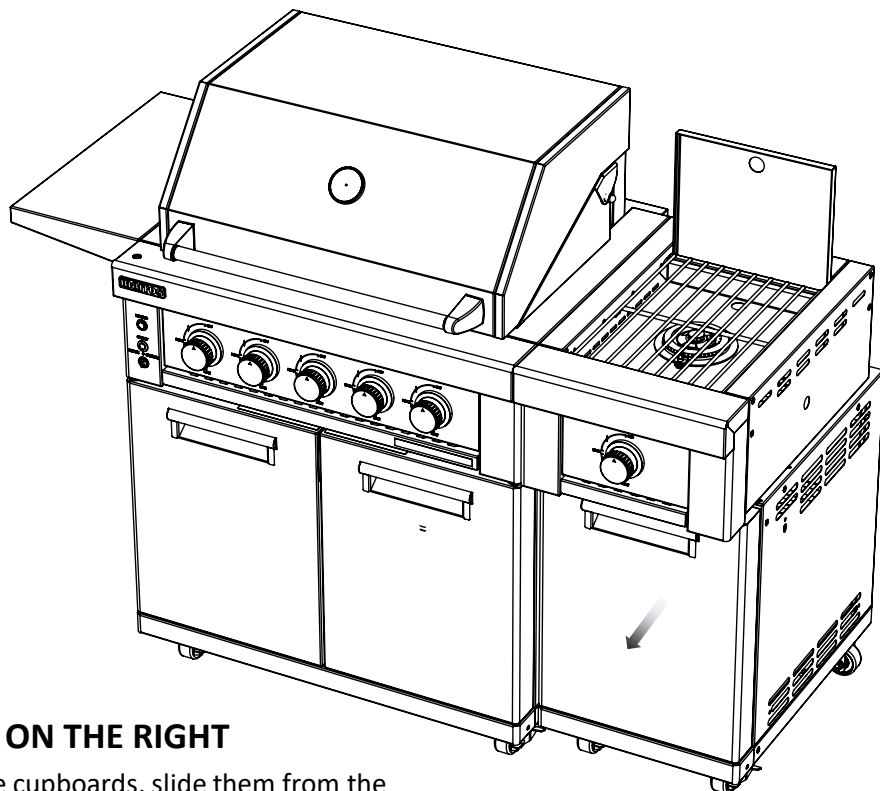
# INSTALLING INSTRUCTIONS

## (CONTINUED)



### CUPBOARD ON THE LEFT

- Secure the back of the cupboards with the connecting brackets as shown

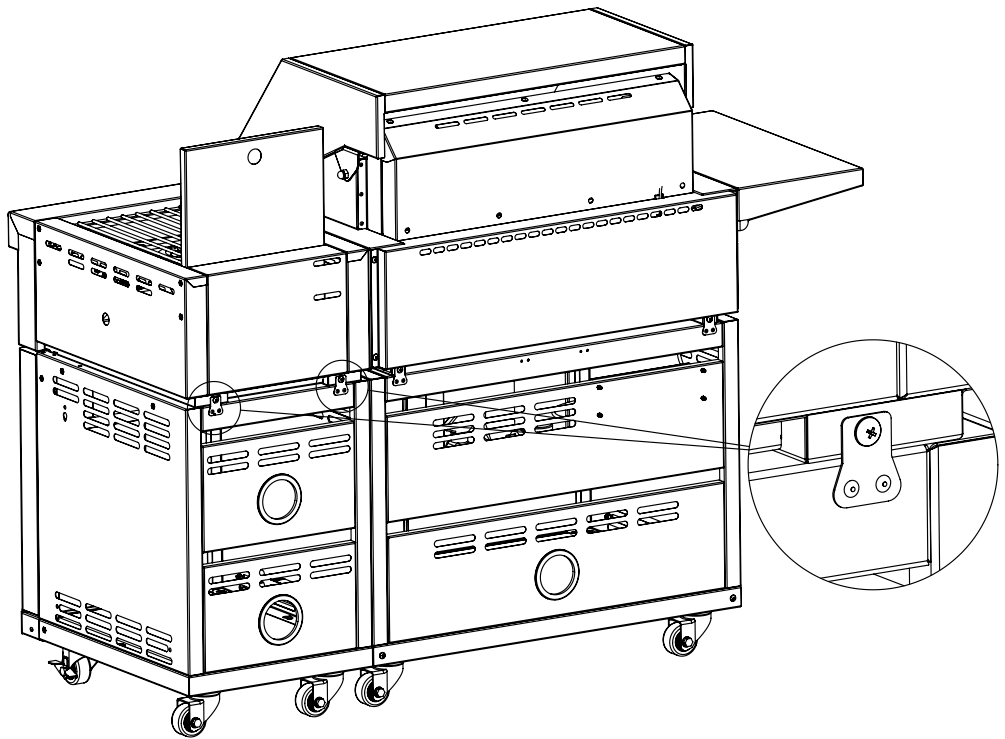


### CUPBOARD ON THE RIGHT

- To add the side cupboards, slide them from the back, aligning the side key slots with the screws

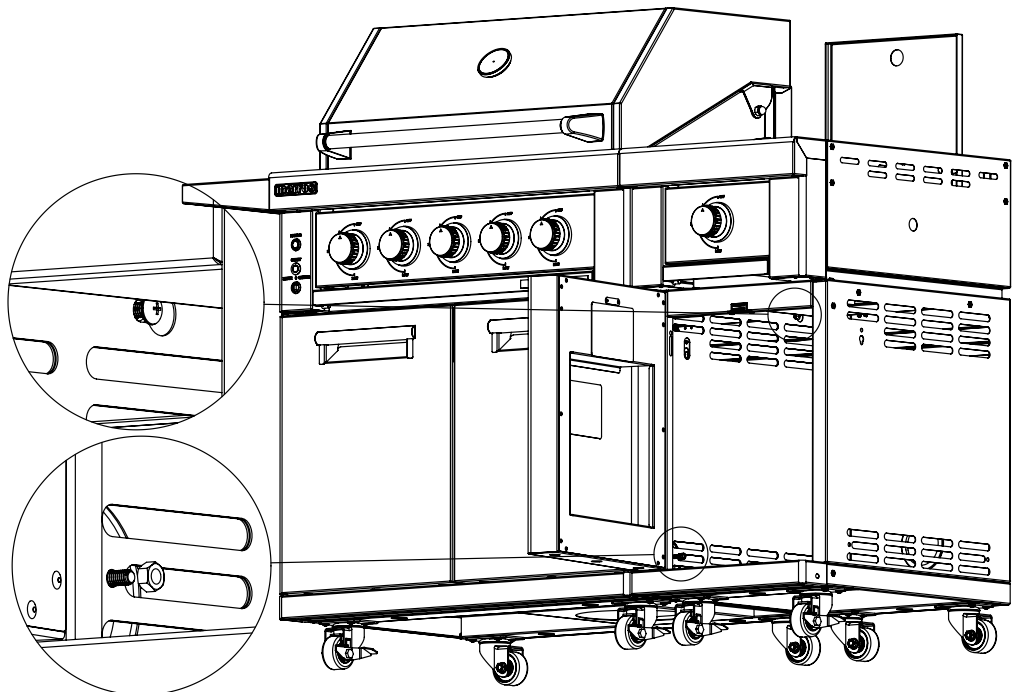
# INSTALLING INSTRUCTIONS

## (CONTINUED)



### CUPBOARD ON THE RIGHT

- Secure the back of the cupboards with the connecting brackets as shown



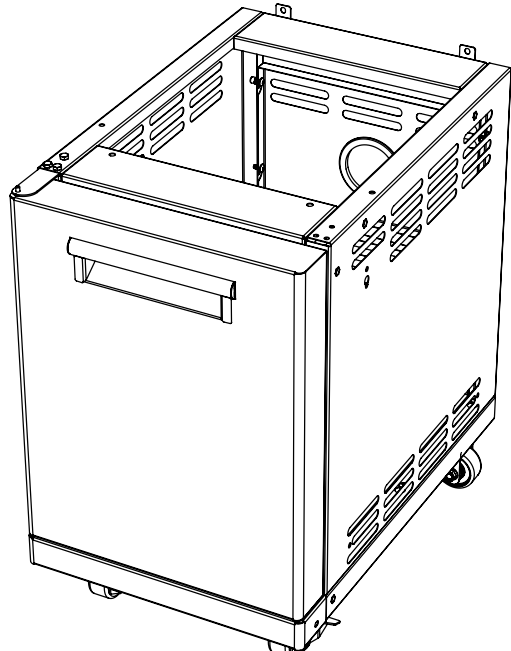
### CUPBOARD ON THE RIGHT

- After alignment tighten two screws on top and two screws and nuts at the bottom as shown

# CLEANING AND MAINTENANCE

## STAINLESS STEEL CLEANING AND MAINTENANCE

- Stainless steel is a corrosion resistant chromium/nickel alloy steel that is both durable as well as strong with an outstanding lustre. The goal of your cleaning and maintenance routine should be to keep the stainless steel's protective chromium oxide layer intact. This is what prevents corrosion. Contrary to popular belief, stainless steel is NOT rustproof, especially in the environment of a swimming pool. Chlorine, bromine, some fertilizers and other elements are extremely caustic chemicals for stainless steel. These chemicals combined with heat and humidity greatly increase the corrosiveness of these chemicals. Regular cleaning is the best way to prevent corrosion and add years of enjoyment to your stainless-steel products.
- **Cleaning The Surface:** Do not use abrasive cleaners or steel wool on any painted, porcelain or stainless-steel part of your Napoleon Module, doing so will scratch the finish. Exterior painted surfaces should be cleaned with warm soapy water. To clean stainless surfaces, use a stainless steel or a non-abrasive cleaner. Always wipe in the direction of the grain.



# WARRANTY

**This document sets out the terms and conditions of the product warranties for Marros Appliances. It is an important document. Please keep it with your proof of purchase documents in a safe place for future reference should there be a manufacturing defect in your Appliance. This warranty is in addition to other rights you may have under the Australian Consumer Law.**

This warranty only applies to Appliances, purchased and used in Australia or New Zealand in normal domestic applications and is in addition to (and does not exclude, restrict, or modify in any way) any non-excludable statutory guarantees in Australia and New Zealand.

## Warranty Term

Subject to the conditions set out below, this product is warranted to the purchaser to be free from defects in workmanship and materials from the date of purchase for the terms specified below:

5 YEARS- Firebox and Roasting Hood

3 YEARS- All other parts

## Warranty Conditions

- The warranty is non-transferable and is limited to the original purchaser.
- Satisfactory proof of purchase (as defined in the Competition and Consumer Act 2010) must be furnished at the time of notification of the defect for a claim under this warranty to be enforceable.
- This warranty covers all parts found to be defective in workmanship and/or materials during the warranty period. Marros total liability in respect of a claim by a consumer under the CCA for a minor problem (as defined in the CCA) with a product is limited, at our option, to providing the consumer with a refund, replacement or repairing the product.
- For major failures (as the term defined in the CCA) you are entitled to a replacement or refund and for compensation for any other reasonably foreseeable loss or damage.
- To implement this warranty, please return this product to the place of purchase or nominated service agent, otherwise a service call out fee will be charged and refunded if claim is warrantable

## Installation Conditions

- All installations must conform to the applicable Gas, Electrical and Building Standards as laid down by the local codes for state or region.

## Warranty Exclusions

You may not make a claim under this warranty unless the defect claimed is due to faulty or defective parts or workmanship. Marros is not liable in the following situations (which are not exhaustive):

The Appliance is damaged by:

- Accident
- misuse or abuse, including failure to properly maintain or service
- normal wear and tear
- power surges, electrical storm damage or incorrect power supply
- incomplete or improper installation
- incorrect, improper or inappropriate operation
- insect or vermin infestation
- failure to comply with any additional instructions supplied with the Appliance
- the Appliance is modified without authority from Marros in writing
- the Appliance's serial number or warranty seal has been removed or defaced
- the Appliance was serviced or repaired by anyone other than an authorised repairer or ASC.
- Commercial use

This warranty, the contract to which it relates and the relationship between you and Marros are governed by the law applicable where the Appliance was purchased.

## Consumer Guarantee

Our appliances come with a guarantee that cannot be excluded under the Australian Consumer Law. You are entitled to a replacement or refund for a major failure and for compensation for any other reasonably foreseeable loss or damage. You are also entitled to have the goods repaired or replaced if the goods fail to be of acceptable quality and the failure does not amount to a major failure.

Subject to the above paragraphs, all express or implied representations, conditions, statutory guarantees, warranties and provisions (whether based on statute, common law or otherwise), related to this warranty, that are not contained in it, are excluded to the fullest extent permitted by law.

Nothing in this warranty excludes, restricts or modifies any conditions, warranty, statutory guarantee, right or remedy, implied or imposed by common law, statute or regulation, which cannot be lawfully excluded, restricted or modified

Attach the copy of the purchase receipt here:

Date of Purchase \_\_\_\_\_

Purchased from \_\_\_\_\_

Location \_\_\_\_\_

Model Name and Number \_\_\_\_\_

Receipt Number \_\_\_\_\_



**marros**

Smart thinking for fine living

Visit: <https://selfcleaningbbq.com.au/>

Your purchase receipt will be required for warranty claims