

# SOURCE

MANUFACTURING  
FAA APPROVAL NO. PQ1549CE

**SMI Part No:** 0201820-001SMI

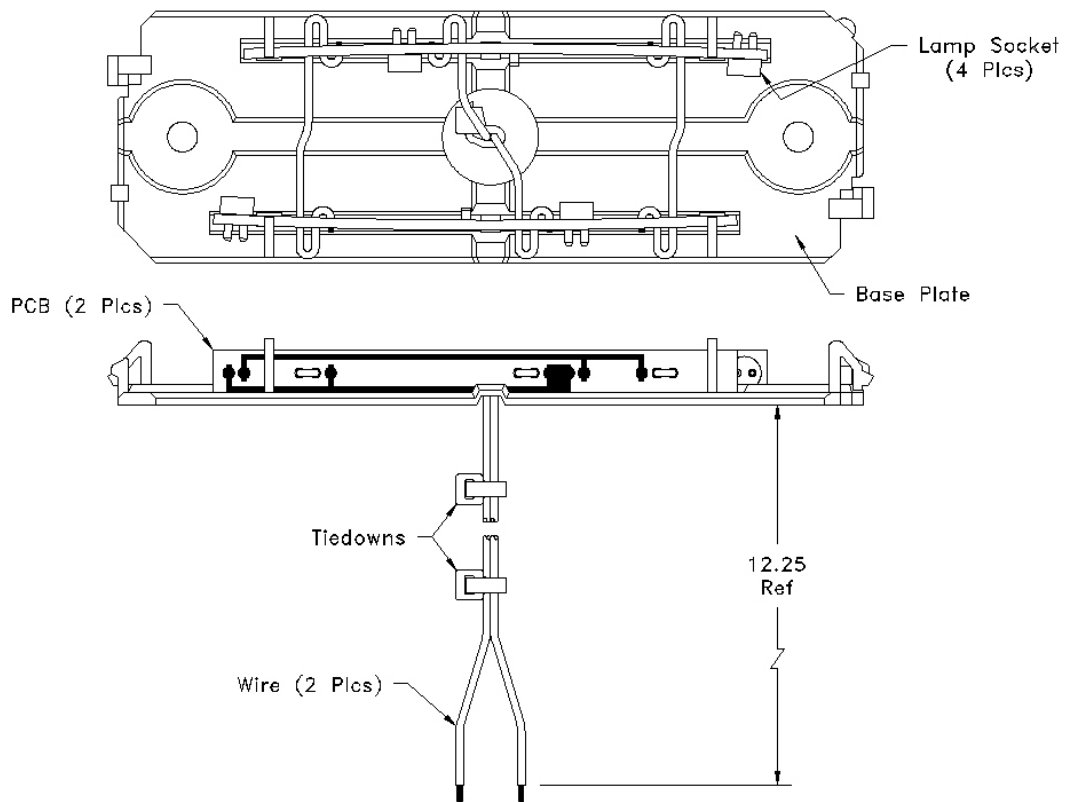
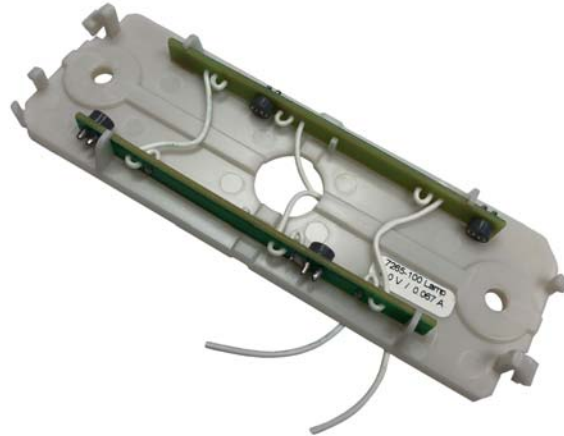
**OEM Part No:** 0201820-001

**Supp. No:** 46 & 48

**NHA:** -

**ATA:** 33

**Eligibility:** B737, B757, B767, & B777 Aircraft



2850 Kirby Circle • Palm Bay, Florida 32905 • Tel: 321.676.1000 • Fax: 321.676.1900 • [www.sourcecompanies.net](http://www.sourcecompanies.net)