

SOURCE

MANUFACTURING
FAA APPROVAL NO. PQ1549CE

SMI Part No: 0202872-001SMI

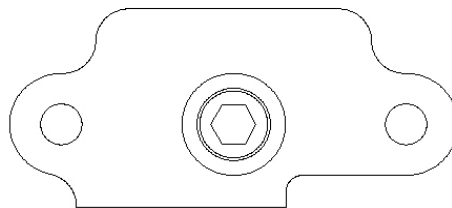
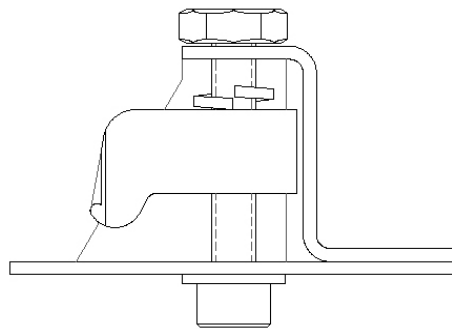
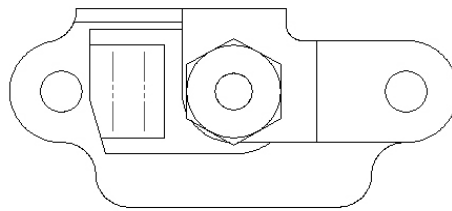
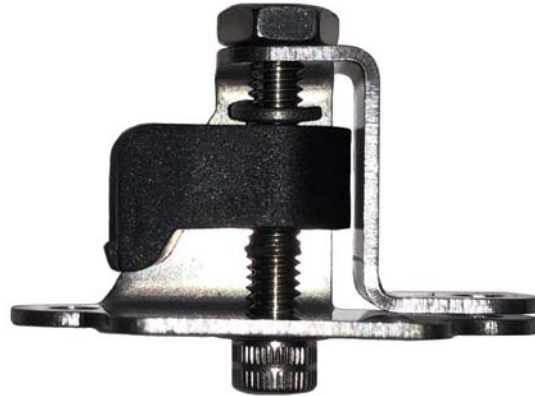
OEM Part No: 0202872-001

Supp. No: 46

NHA: -

ATA: 25

Eligibility: B717-200 Aircraft



2850 Kirby Circle • Palm Bay, Florida 32905 • Tel: 321.676.1000 • Fax: 321.676.1900 • www.sourcecompanies.net