

# SOURCE

M A N U F A C T U R I N G

FAA APPROVAL NO. PQ1549CE

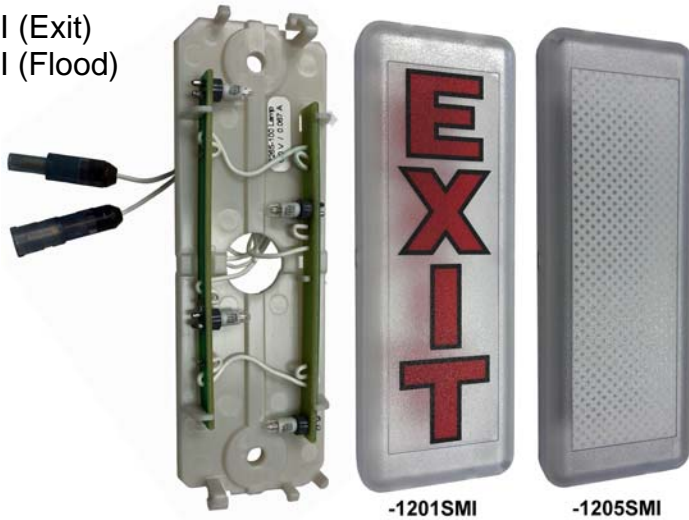
**SMI Part No:** 0203146-1201SMI (Exit)  
0203146-1205SMI (Flood)

**OEM Part No:** 0203146-1201  
0203146-1205

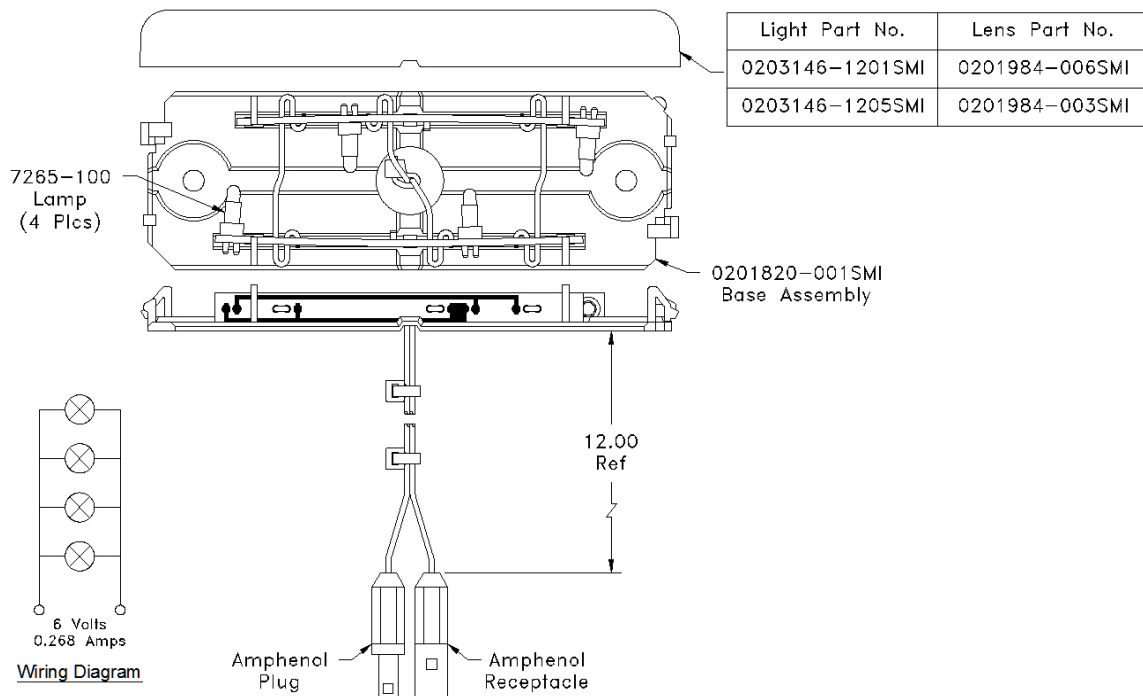
**Supp. No:** 46 & 48

**NHA:** -

**ATA:** 33



**Eligibility:** B737, B757, B767, & B777 Aircraft



2850 Kirby Circle • Palm Bay, Florida 32905 • Tel: 321.676.1000 • Fax: 321.676.1900 • www.sourcecompanies.net