

# SOURCE

MANUFACTURING  
FAA APPROVAL NO. PQ1549CE

**SMI Part No:** 01940-007SMI

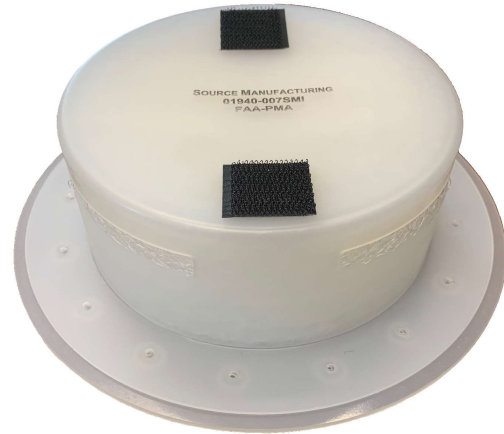
**OEM Part No:** 01940-007

**Supp. No:** 53, 55, & 56

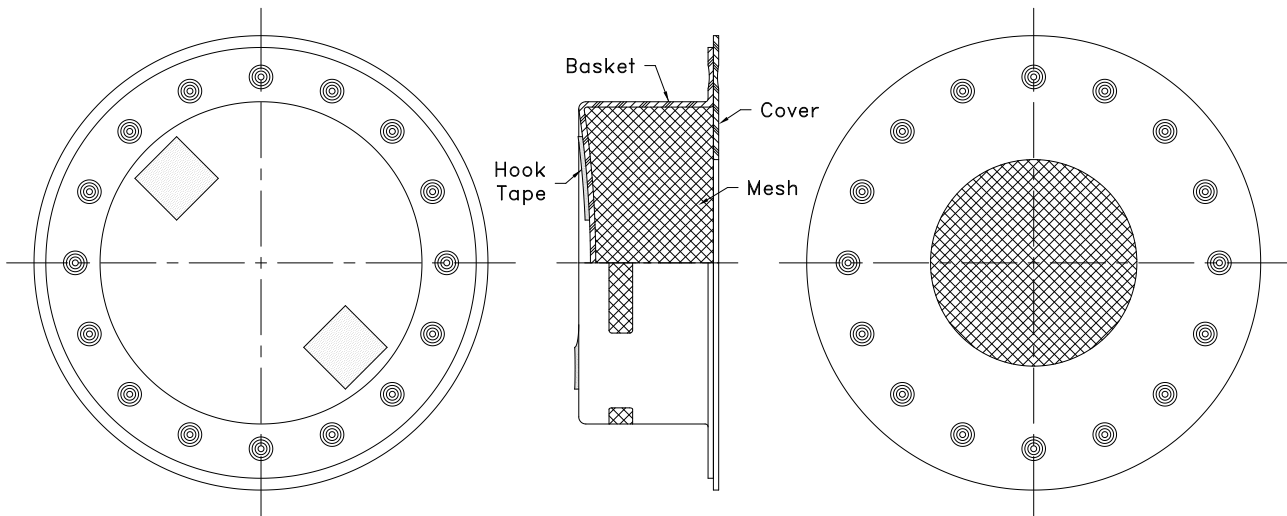
**NHA:** -

**ATA:** 38

**Eligibility:** 737-600/-700/-800/-900/  
-900ER/-8/-8200/-9 Series,  
777-200/-200LR/-300/-300ER Series, & 777F Series



**Upper Basket  
Separator Assembly**



2850 Kirby Circle • Palm Bay, Florida 32905 • Tel: 321.676.1000 • Fax: 321.676.1900 • [www.sourcecompanies.net](http://www.sourcecompanies.net)