

SOURCE
 M A N U F A C T U R I N G
 FAA APPROVAL NO. PQ1549CE

SMI Part No: 974657-1SMI, 974657-1ASMI,
 974657-2SMI, & 974657-2ASMI

OEM Part No: 974657-1 & 974657-2

Supp. No: 10

NHA: Various Flap Pneumatic Drive Actuator Units

ATA: 27

Eligibility: B747 Aircraft



Cover Retainer

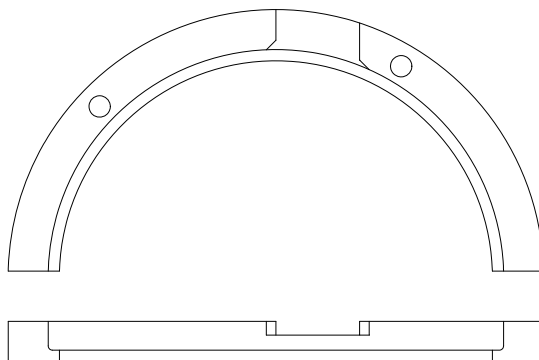


Figure A

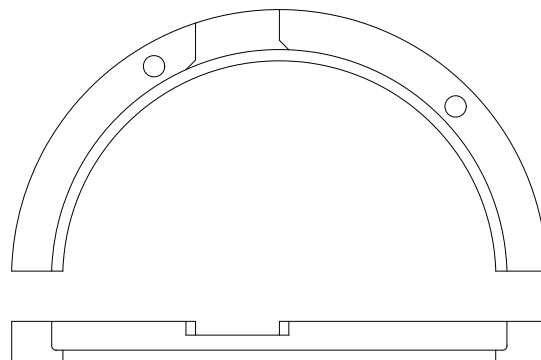


Figure B

PART NO.	FIGURE	MATERIAL	OEM PART NO.
974657-1SMI	A	Polymer	974657-1
974657-1ASMI	A	Anodized Aluminum	
974657-2SMI	B	Polymer	974657-2
974657-2ASMI	B	Anodized Aluminum	