

**SOURCE**  
 M A N U F A C T U R I N G  
 FAA APPROVAL NO. PQ1549CE

**SMI Part No:** PA35319SMI  
 PA35319-3SMI

**OEM Part No:** PA35319  
 PA35319-3

**Supp. No:** 11

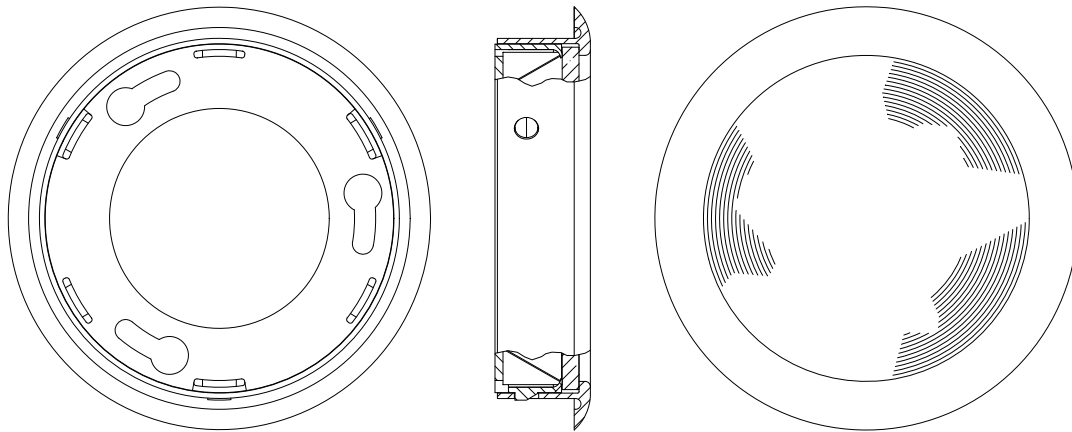
**NHA:** -

**ATA:** 33

**Eligibility:** B727, B737, & B747 Aircraft



**Dome Light Lens Assembly**



Part No.	Finish
PA35319SMI	Anodized Brushed Aluminum (Color: Clear)
PA35319-3SMI	Anodized Brushed Aluminum (Color: Chip #901)

2850 Kirby Circle • Palm Bay, Florida 32905 • Tel: 321.676.1000 • Fax: 321.676.1900 • [www.sourcecompanies.net](http://www.sourcecompanies.net)