

Dimensions in inches

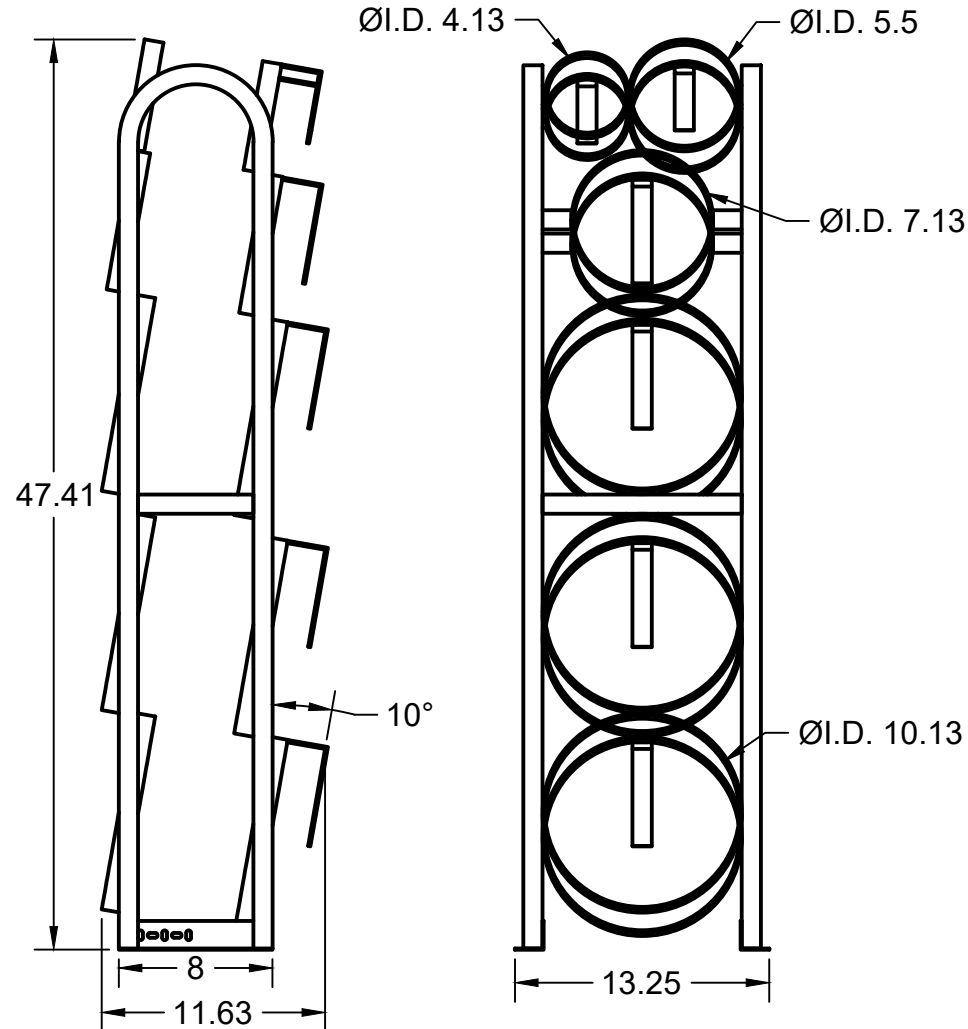
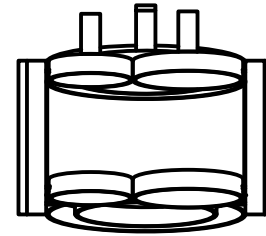
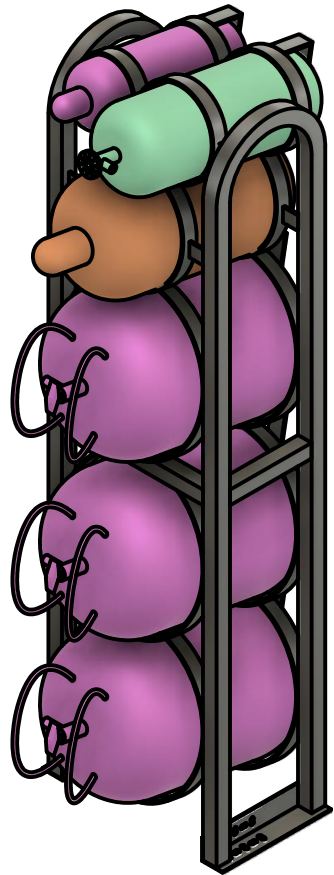
Part Number  
**004-791 Junior**

PRODUCT DESCRIPTION:  
Refrigerant Tank Rack

PRODUCT DATA:

3- 30 lb  
1- MC  
1- R-oxy  
1- Nit

- Welded using 16-gauge G-90 galvanized tube steel
- Rings are made using 12-gauge G-90 galvanized steel
- Weight: 27lbs



**THE METAL SHOP**

APPROVED

CHECKED

DRAWN

Colton Hunt

9/17/2019

SIZE

A

REV

SHEET

1/1

SCALE 1:10