

Dimensions in inches

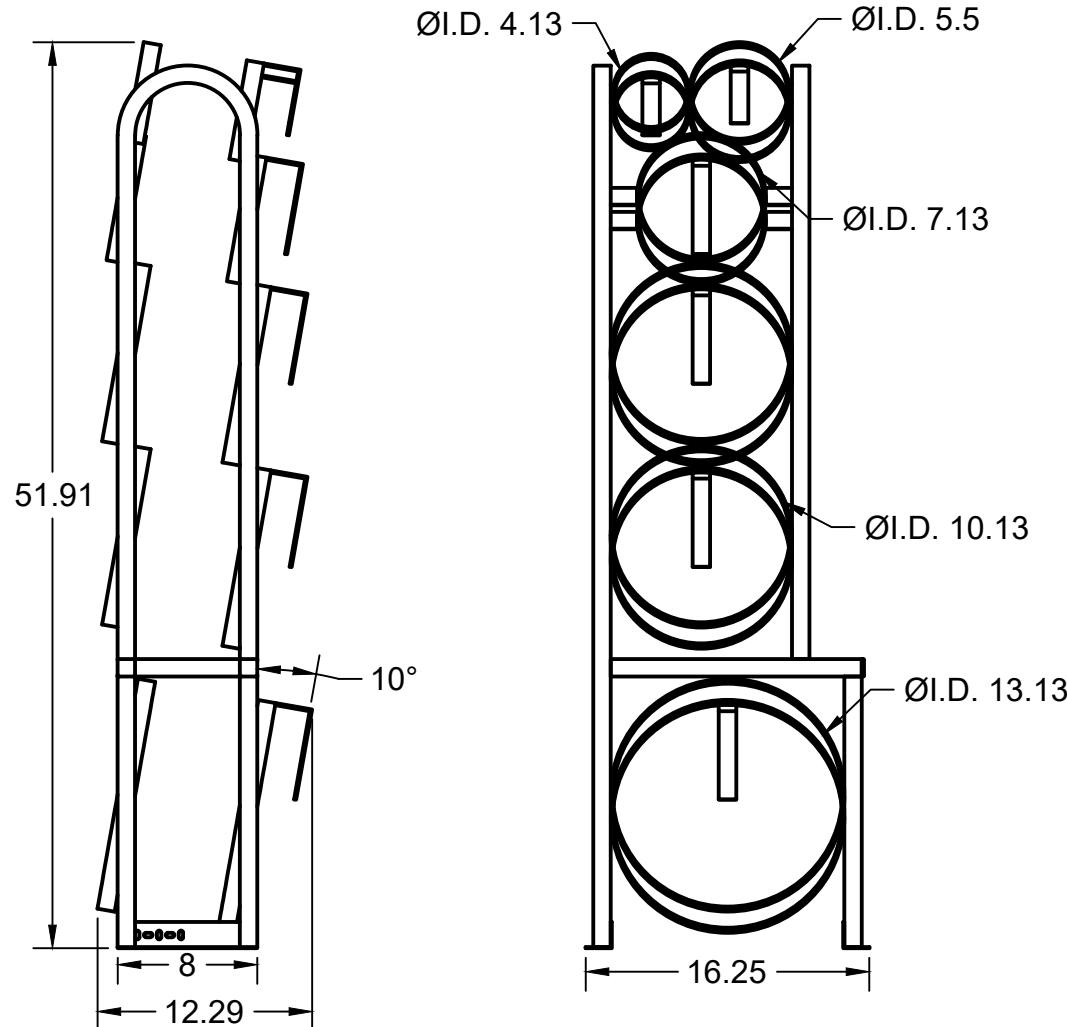
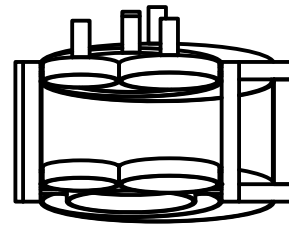
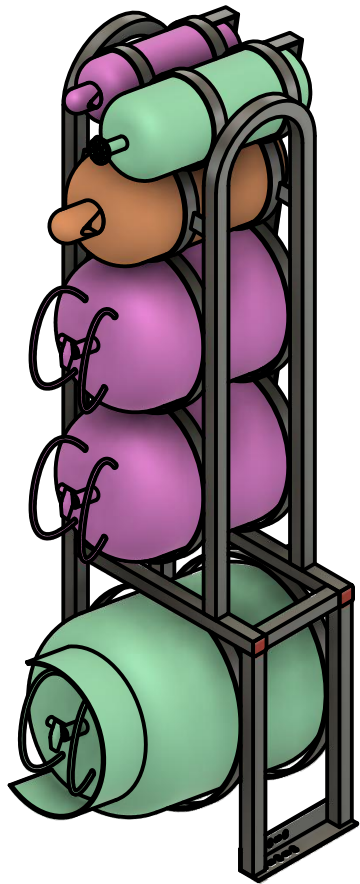
Part Number  
**004-792 Eddy**

PRODUCT DESCRIPTION:  
Refrigerant Tank Rack

PRODUCT DATA:

- 1- 50 lb
- 2- 30 lb
- 1- MC
- 1- R-oxy
- 1- Nit

- Welded using 16-gauge G-90 galvanized tube steel
- Rings are made using 12-gauge G-90 galvanized steel
- Weight: 32lbs



**THE METAL SHOP**

|                             |            |     |       |
|-----------------------------|------------|-----|-------|
| APPROVED                    | SIZE       | REV | SHEET |
| CHECKED                     | A          |     | 1/1   |
| DRAWN Colton Hunt 9/18/2019 | SCALE 1:11 |     |       |