

Dimensions in inches

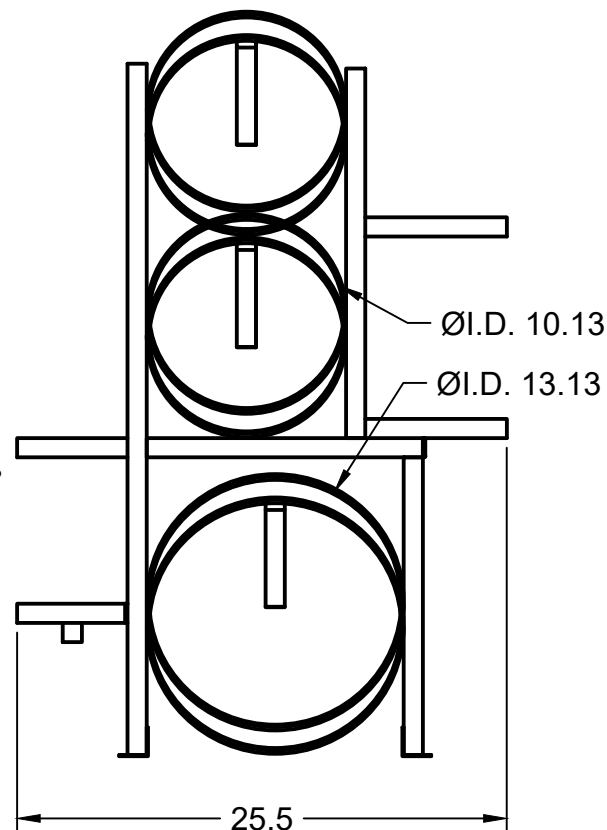
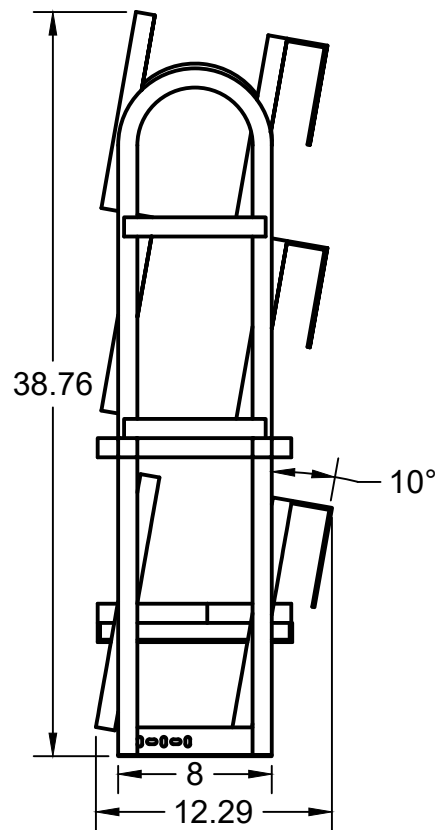
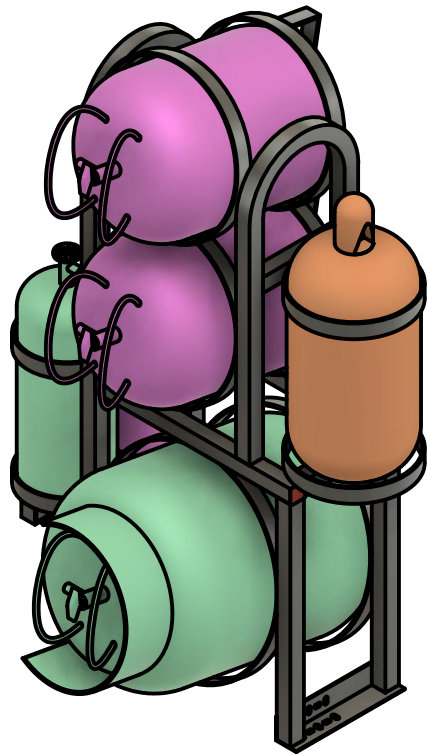
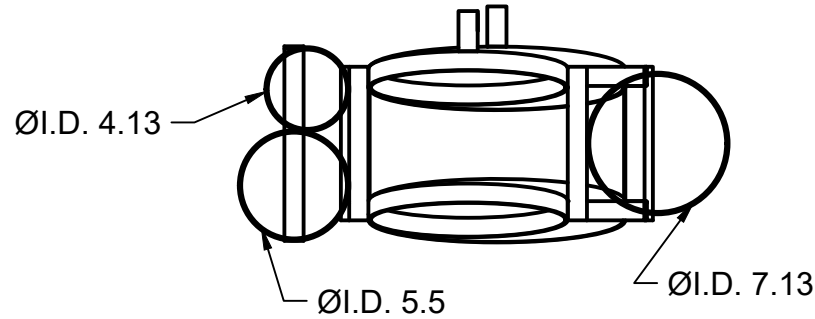
Part Number
004-793 Stubby

PRODUCT DESCRIPTION:
Refrigerant Tank Rack

PRODUCT DATA:

- 1- 50 lb
- 2- 30 lb
- 1- MC
- 1- R-oxy
- 1- Nit

- Welded using 16-gauge G-90 galvanized tube steel
- Rings are made using 12-gauge G-90 galvanized steel
- Weight: 30lbs



THE METAL SHOP

APPROVED	SIZE	REV	SHEET
CHECKED	A		1/1
DRAWN Colton Hunt 9/18/2019	SCALE 1:10		