

Dimensions in inches

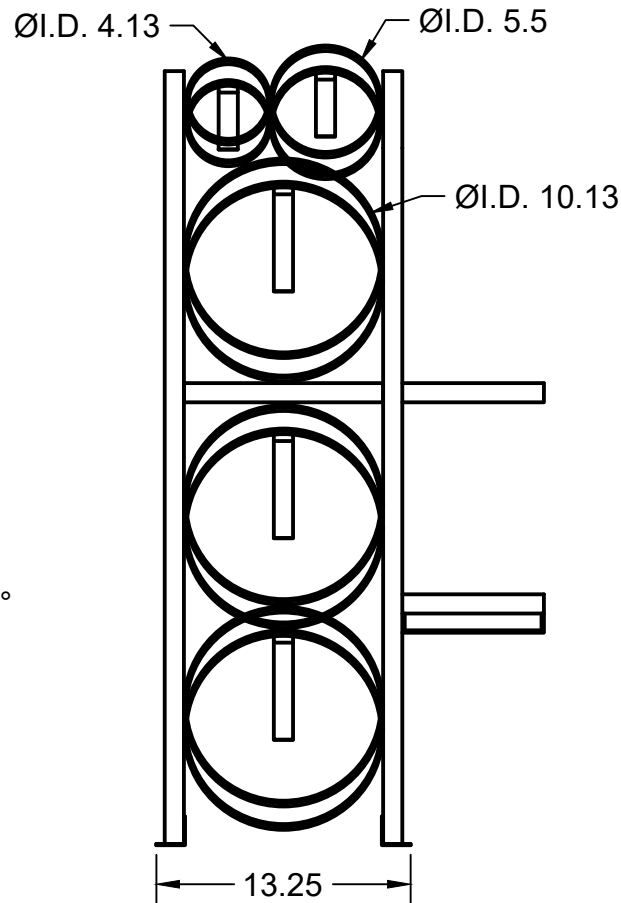
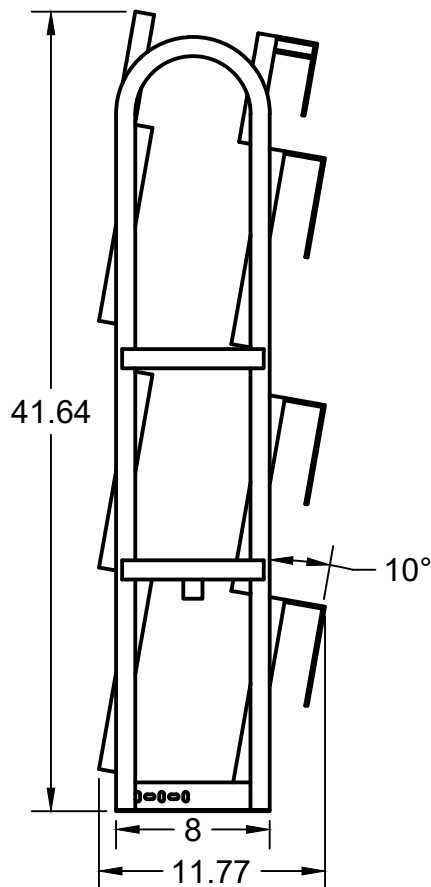
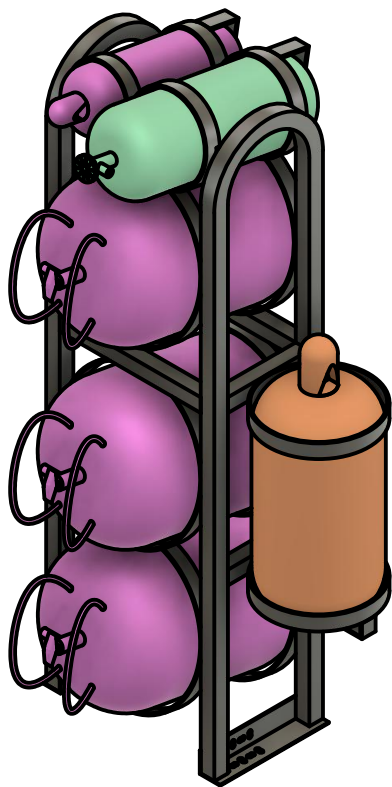
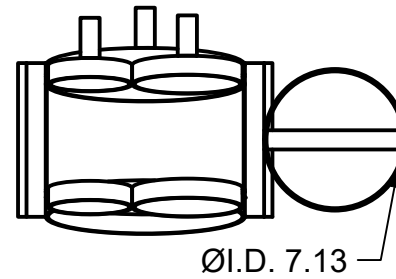
Part Number
004-795 Little Boy

PRODUCT DESCRIPTION:
Refrigerant Tank Rack

PRODUCT DATA:

3- 30 lb
1- MC
1- R-oxy
1- Nit

- Welded using 16-gauge G-90 galvanized tube steel
- Rings are made using 12-gauge G-90 galvanized steel
- Weight: 24lbs



THE METAL SHOP

APPROVED	SIZE	REV	SHEET
CHECKED	A		1/1
DRAWN Colton Hunt 9/18/2019	SCALE 1:10		