

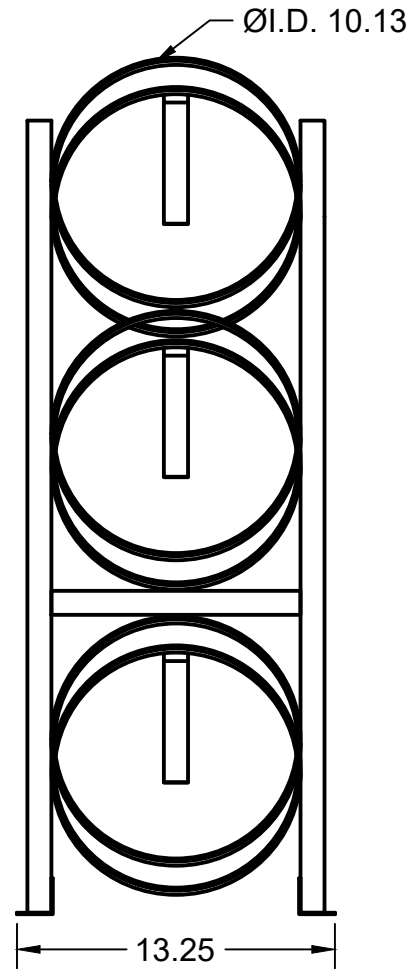
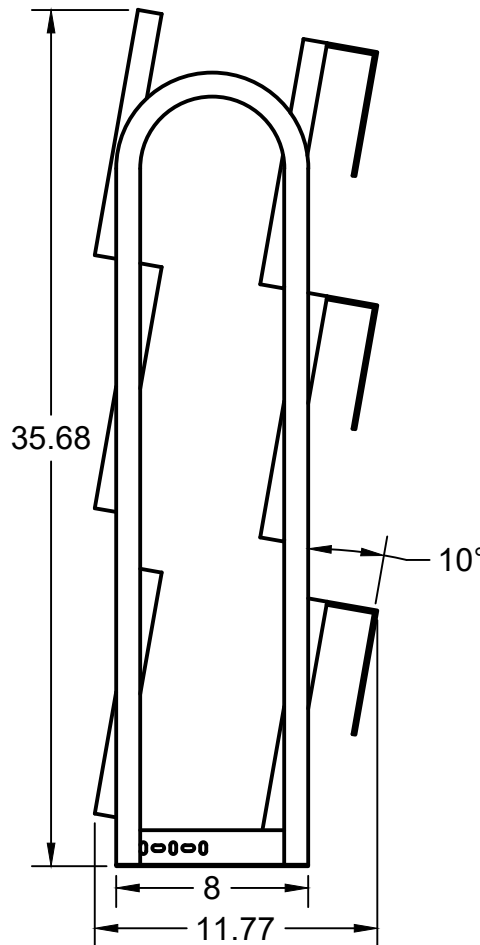
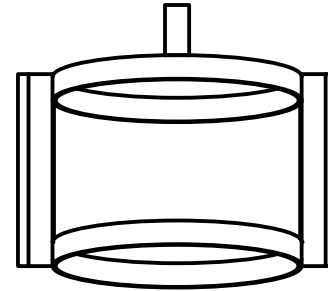
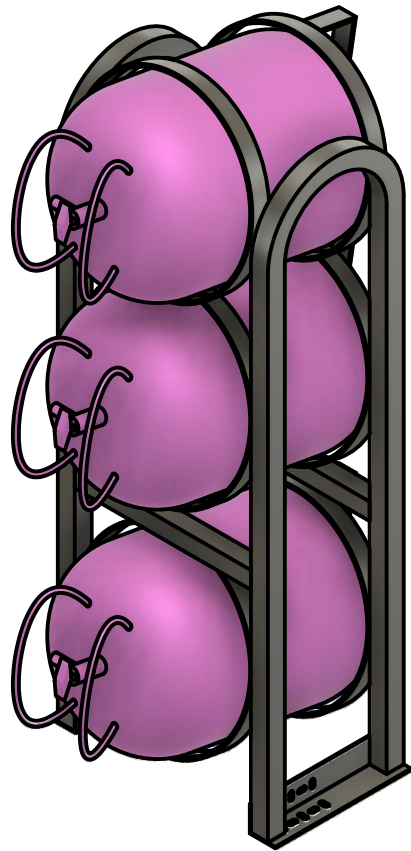
Dimensions in inches

Part Number
004-796 Shorty

PRODUCT DESCRIPTION:
Refrigerant Tank Rack

PRODUCT DATA:
3- 30 lb

- Welded using 16-gauge G-90 galvanized tube steel
- Rings are made using 12-gauge G-90 galvanized steel
- Weight: 21lbs



THE METAL SHOP

APPROVED	
CHECKED	
DRAWN	Colton Hunt 9/18/2019

SIZE	REV	SHEET
A		1/1
SCALE 1:8		