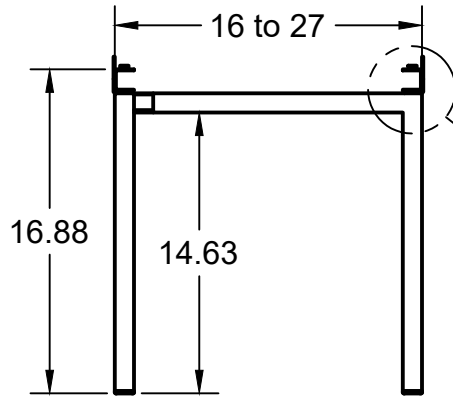
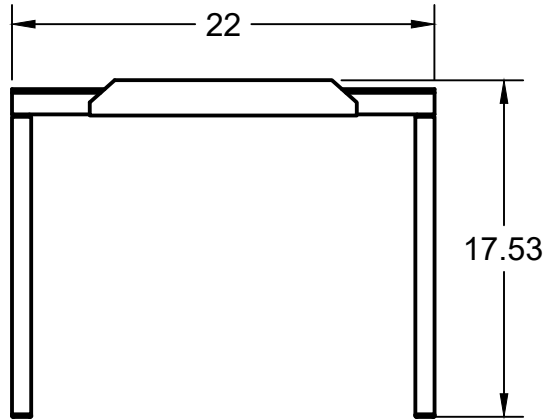
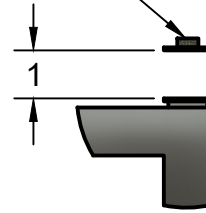


Dimensions in inches

Side View



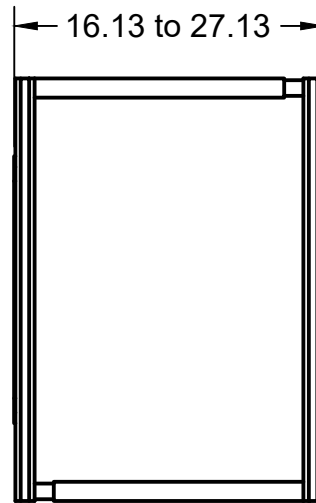
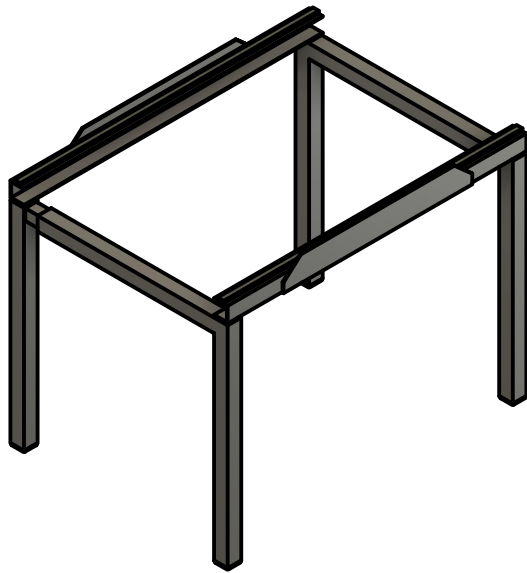
Neoprene Gasket



A

DETAIL A
SCALE 1:4

Front View



Top View

Part Number

004371KD

PRODUCT DESCRIPTION:

Boxed Adjustable SlimSide
Air Handler Stand

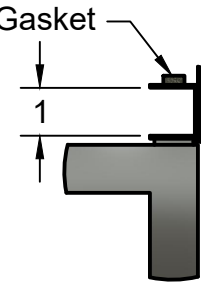
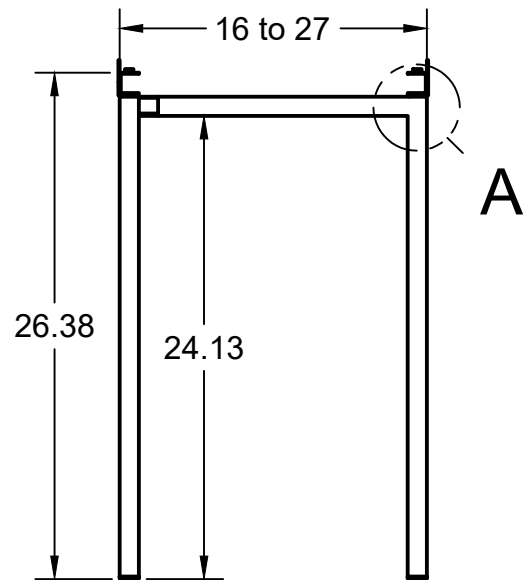
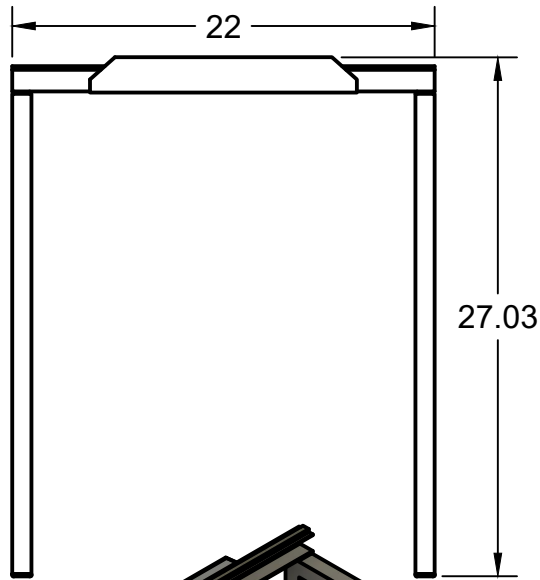
PRODUCT DATA:

- 16 Gauge Galvanized Steel
- Ships Knocked-Down in a Box
- 1" Filter Channel
- Neoprene Gasket
- Holds up to 400 pounds

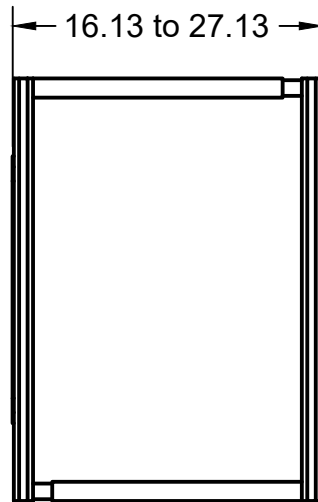
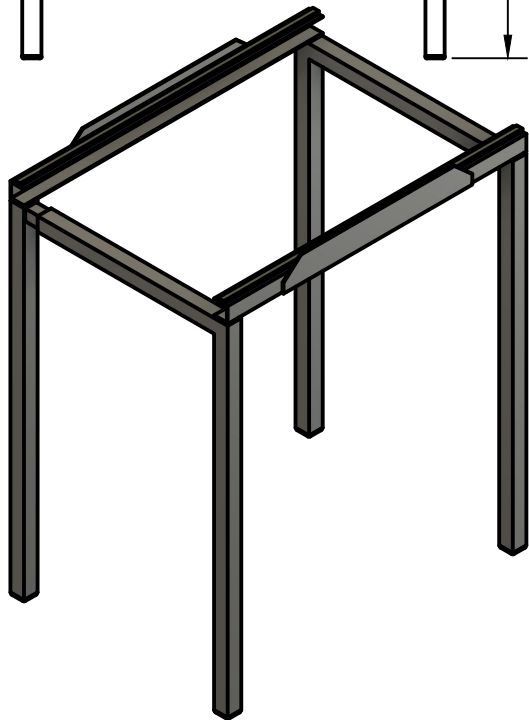
THE METAL SHOP

APPROVED	SIZE	REV	SHEET
CHECKED	A		1/1
DRAWN Colton Hunt 9/10/2019	SCALE 1:10		

Dimensions in inches



DETAIL A
SCALE 1:4



Part Number

004024KD

PRODUCT DESCRIPTION:

Boxed Adjustable SlimSide Air Handler Stand

PRODUCT DATA:

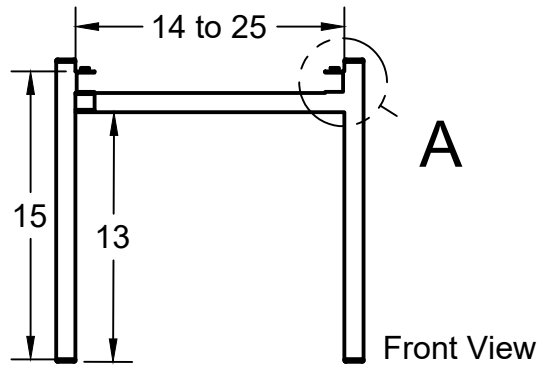
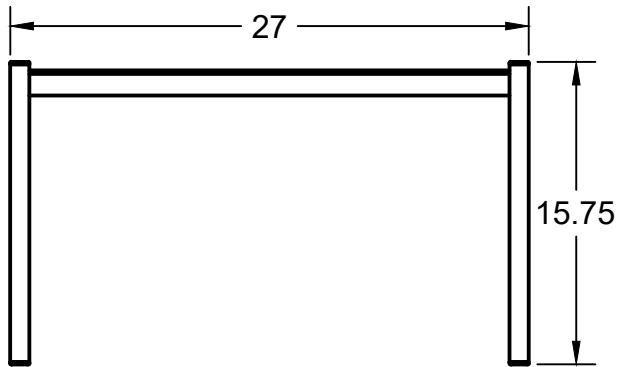
- 16 Gauge Galvanized Steel
- Ships Knocked-Down in a Box
- 1" Filter Channel
- Neoprene Gasket
- Holds up to 400 pounds

THE METAL SHOP

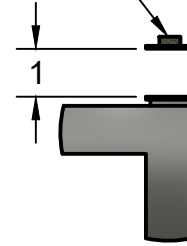
APPROVED	SIZE	REV	SHEET
CHECKED	A		1/1
DRAWN Colton Hunt 9/11/2019	SCALE 1:10		

Dimensions in inches

Side View



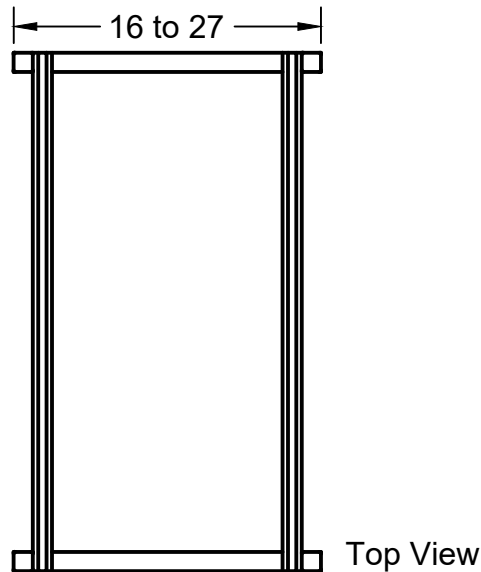
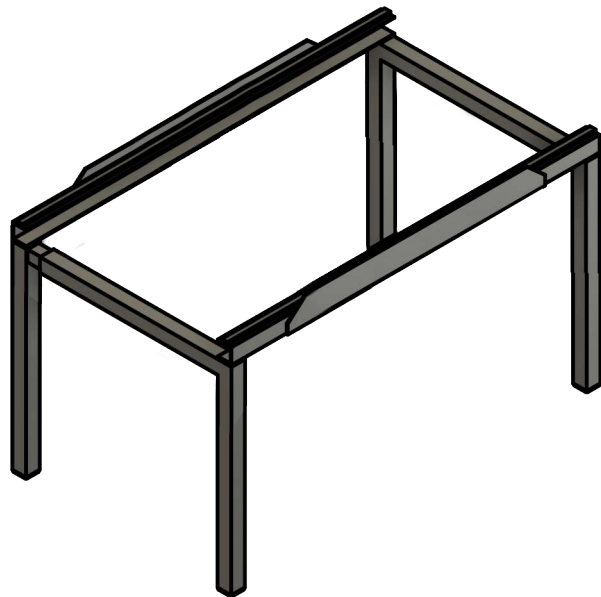
Neoprene Gasket



DETAIL A
SCALE 1:4

A

Front View



Top View

Part Number

004027KD

PRODUCT DESCRIPTION:

Boxed Adjustable SlimSide
Air Handler Stand

PRODUCT DATA:

- 16 Gauge Galvanized Steel
- Ships Knocked-Down in a Box
- 1" Filter Channel
- Neoprene Gasket
- Holds up to 400 pounds

THE METAL SHOP

APPROVED

CHECKED

DRAWN

Colton Hunt

9/10/2019

SIZE

A

REV

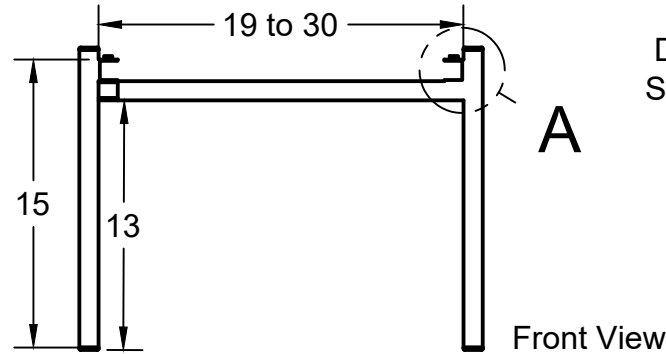
SHEET

1/1

SCALE 1:10

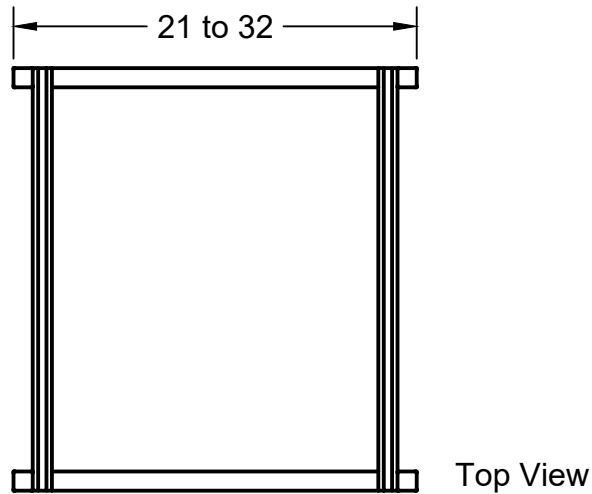
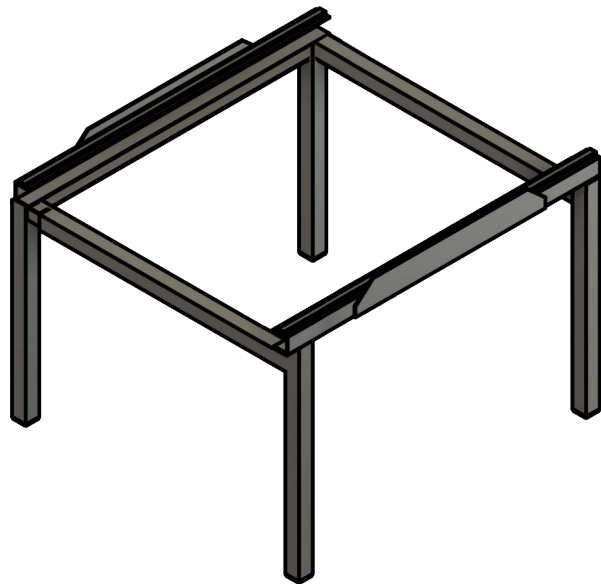
Dimensions in inches

Side View



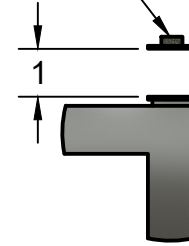
A

Front View



Top View

Neoprene Gasket



DETAIL A
SCALE 1:4

Part Number

004030KD

PRODUCT DESCRIPTION:

Boxed Adjustable SlimSide Air Handler Stand

PRODUCT DATA:

- 16 Gauge Galvanized Steel
- Ships Knocked-Down in a Box
- 1" Filter Channel
- Neoprene Gasket
- Holds up to 400 pounds

THE METAL SHOP

APPROVED

CHECKED

DRAWN Colton Hunt 9/10/2019

SIZE

A

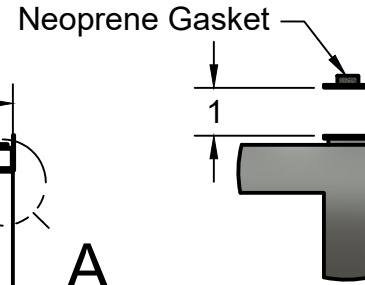
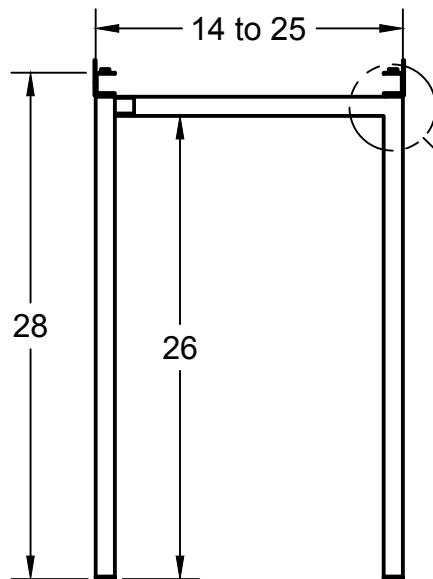
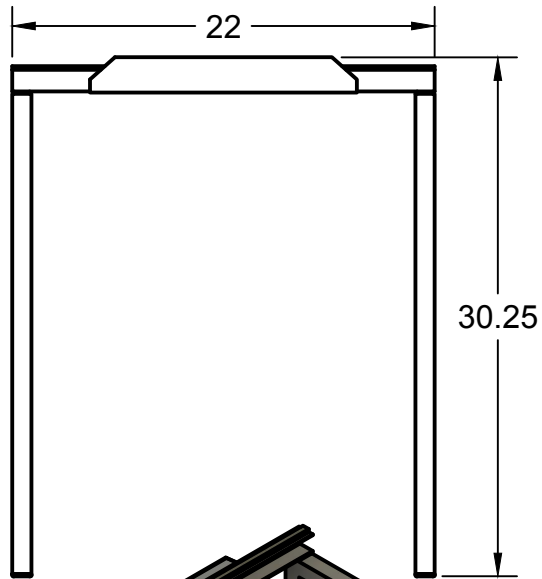
REV

SHEET

1/1

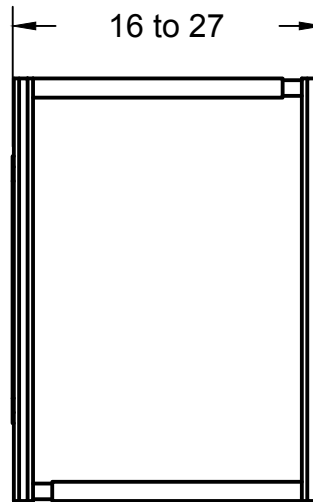
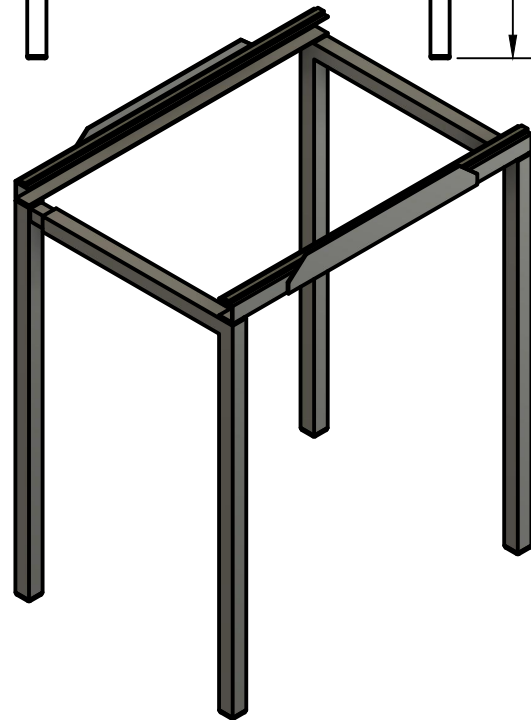
SCALE 1:10

Dimensions in inches



DETAIL A
SCALE 1:4

Front View



Top View

Part Number

004031KD

PRODUCT DESCRIPTION:

Boxed Adjustable SlimSide
Air Handler Stand

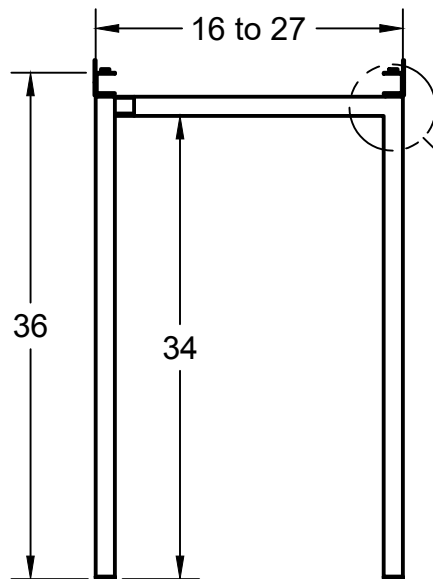
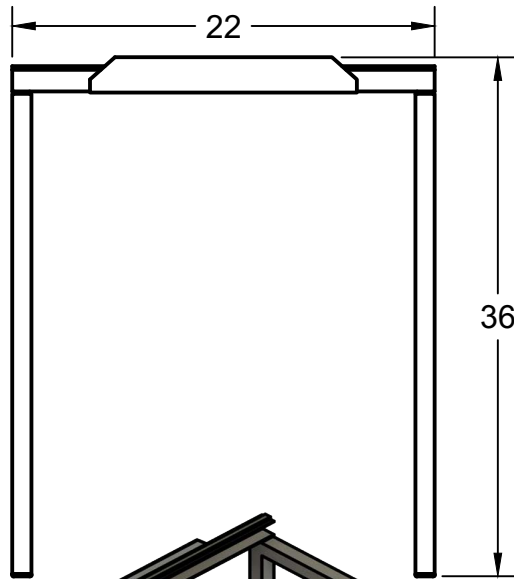
PRODUCT DATA:

- 16 Gauge Galvanized Steel
- Ships Knocked-Down in a Box
- 1" Filter Channel
- Neoprene Gasket
- Holds up to 400 pounds

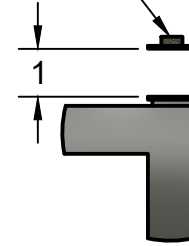
THE METAL SHOP

APPROVED	SIZE	REV	SHEET
CHECKED	A		1/1
DRAWN Colton Hunt 9/10/2019	SCALE 1:12		

Dimensions in inches

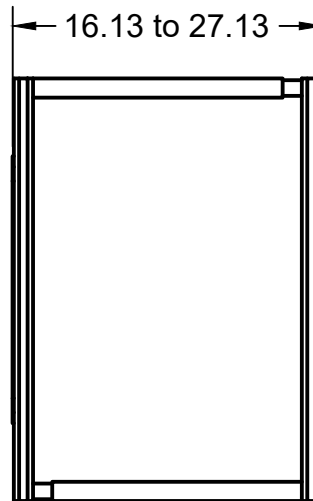
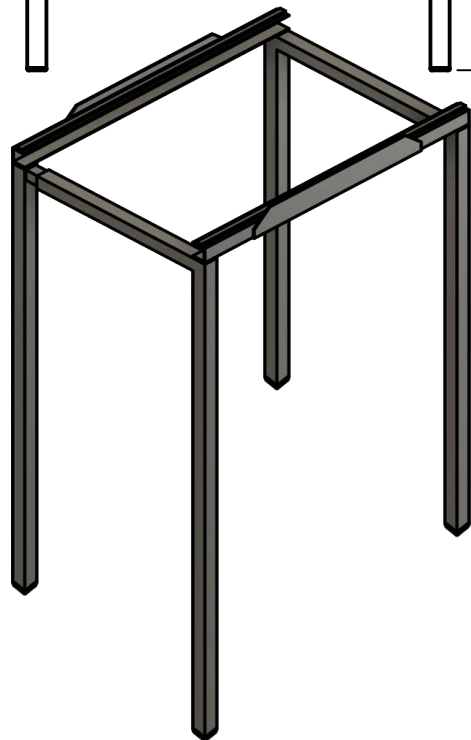


Neoprene Gasket



A

DETAIL A
SCALE 1:4



Part Number

004036KD

PRODUCT DESCRIPTION:

Boxed Adjustable SlimSide Air Handler Stand

PRODUCT DATA:

- 16 Gauge Galvanized Steel
- Ships Knocked-Down in a Box
- 1" Filter Channel
- Neoprene Gasket
- Holds up to 400 pounds

THE METAL SHOP

APPROVED

CHECKED

DRAWN

Colton Hunt

9/11/2019

SIZE

A

REV

SHEET

1/1

SCALE 1:10