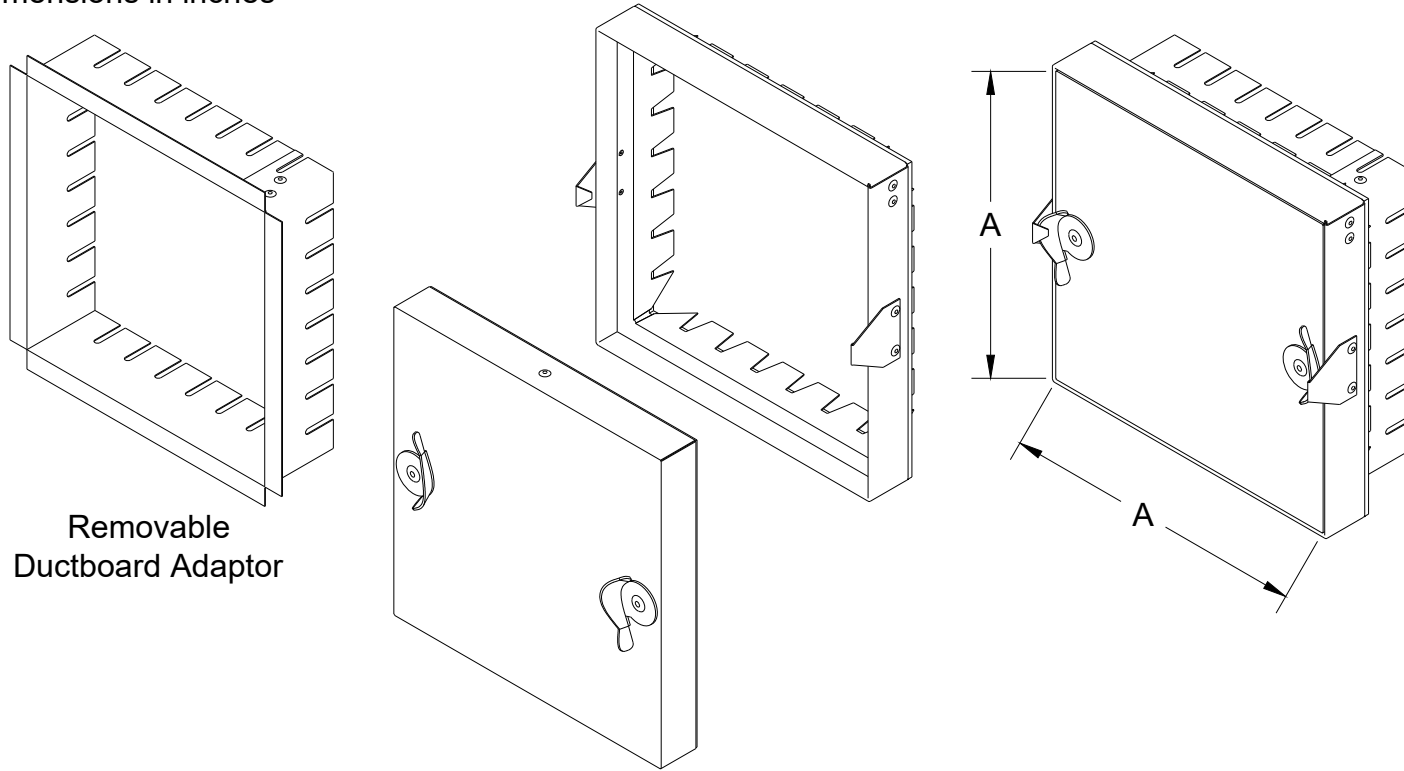


Dimensions in inches



Removable
Ductboard Adaptor

Part Number	Size
010600	6x6
010602	8x8
010604	10x10
010606	12x12
010608	14x14
010610	16x16

Product:
AD-C-DB

PRODUCT
DESCRIPTION:

Cammed Access Door with
Ductboard Adaptor

PRODUCT DATA:

- 26-Gauge Galvanized Steel
- Foam Insulated Door
- Sealed with Neoprene Gasket
- No Raw edges once installed
- Cam Locks on Both sides

Larger Sizes-Special Order:

18x18, 20x20, 22x22, 24x24

2-Cam Locks on Each side for
sizes 18"x18" and up

THE METAL SHOP

APPROVED

CHECKED

DRAWN

Colton Hunt

12/3/2019

SIZE

A

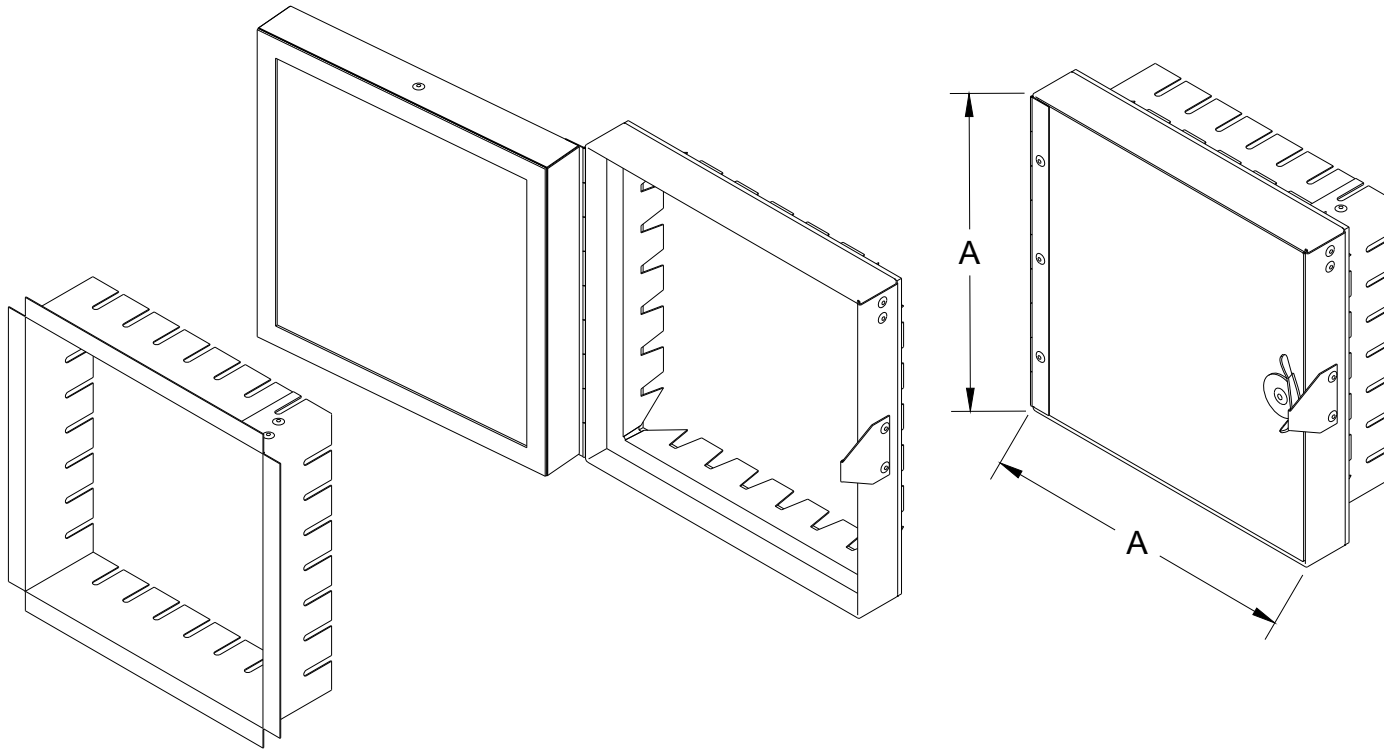
REV

SCALE N/A

SHEET

1/1

Dimensions in inches



Removable
Ductboard Adaptor

Part Number	Size
010624	6x6
010626	8x8
010628	10x10
010630	12x12
010632	14x14
010634	16x16

Product:
AC-H-DB

PRODUCT
DESCRIPTION:

Hinged Access Door with
Ductboard Adaptor

PRODUCT DATA:

- 26-Gauge Galvanized Steel
- Foam Insulated Door
- Sealed with Neoprene Gasket
- No Raw edges once installed
- Cam Locks on Right Side
- Continuous Piano Hinge on Left Side

Larger Sizes-Special Order:

18x18, 20x20, 22x22, 24x24

2-Cam Locks on Right side for
sizes 18"x18" and up

THE METAL SHOP

APPROVED

CHECKED

DRAWN

Colton Hunt

12/3/2019

SIZE

A

REV

SCALE N/A

SHEET

1/1