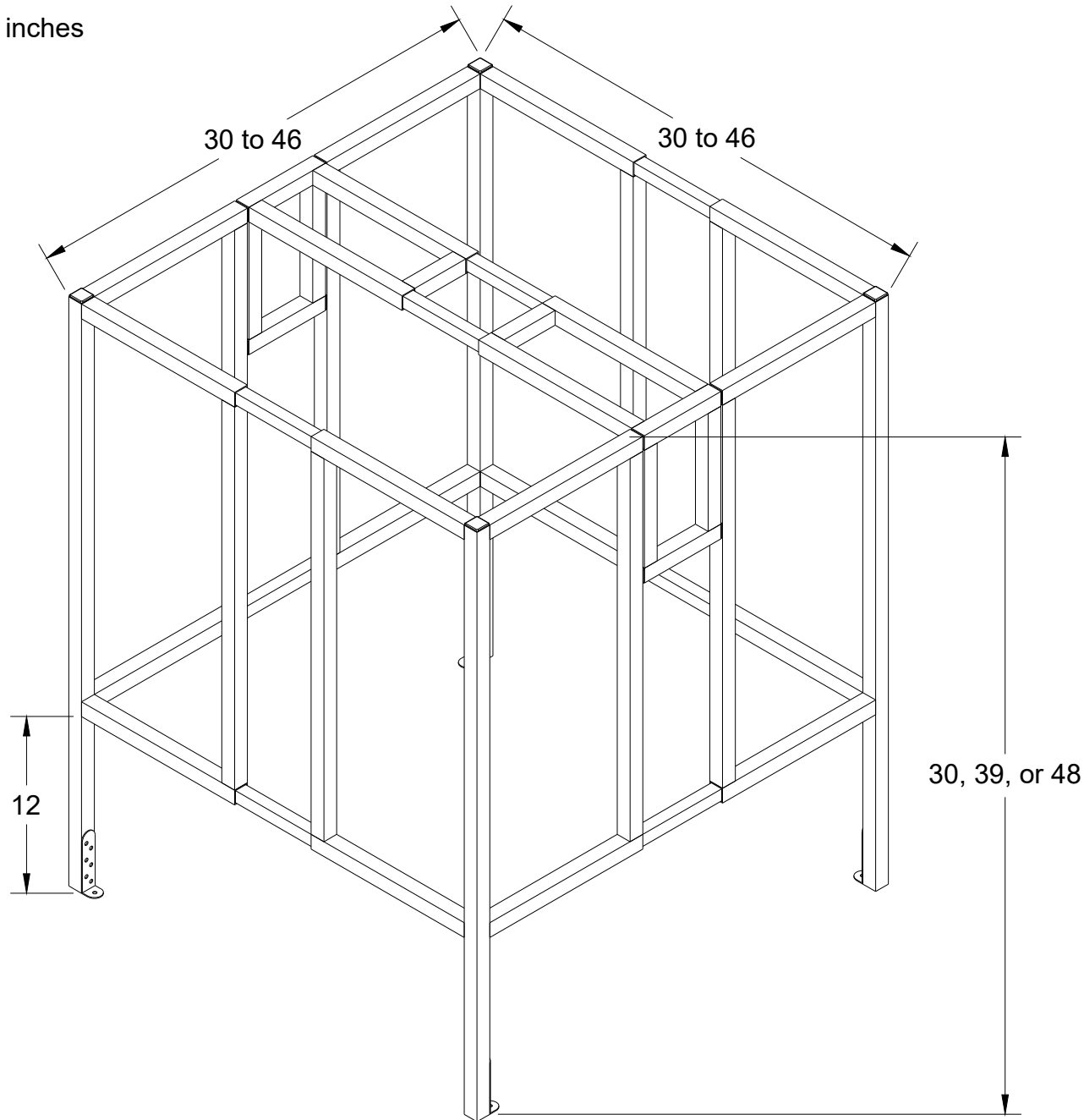


Dimensions in inches



Part Number
#004-530

PRODUCT DESCRIPTION:

The Black Widow-
Adjustable Condenser Cage

PRODUCT DATA:

- 16-Gauge Galvanized Tube Steel
- Black Powder Coating
- Shipped Knocked-Down in a box for Quick and Easy field assembly; no hardware needed
- Full five sided protection
- Designed to be anchored to condenser pad
- It is recommended to use set screws to "Lock" the cage once desired dimensions are achieved

THE METAL SHOP

APPROVED

CHECKED

DRAWN Colton Hunt 11/19/2019

SIZE

A

REV

SHEET

1/2

SCALE 1:9

Dimensions in inches

Part Number
#004-530

PRODUCT
DESCRIPTION:

The Black Widow-
Adjustable Condenser Cage

PRODUCT DATA:

Dimensions:

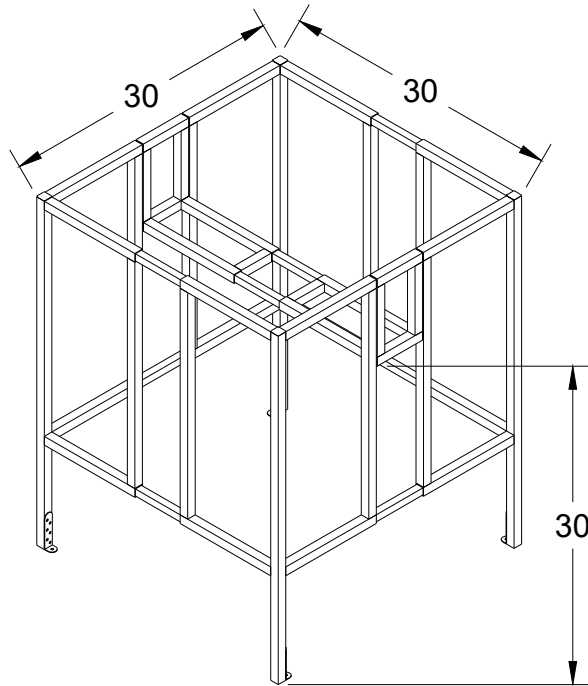
Width and Depth:
30" to 46"

Heights:

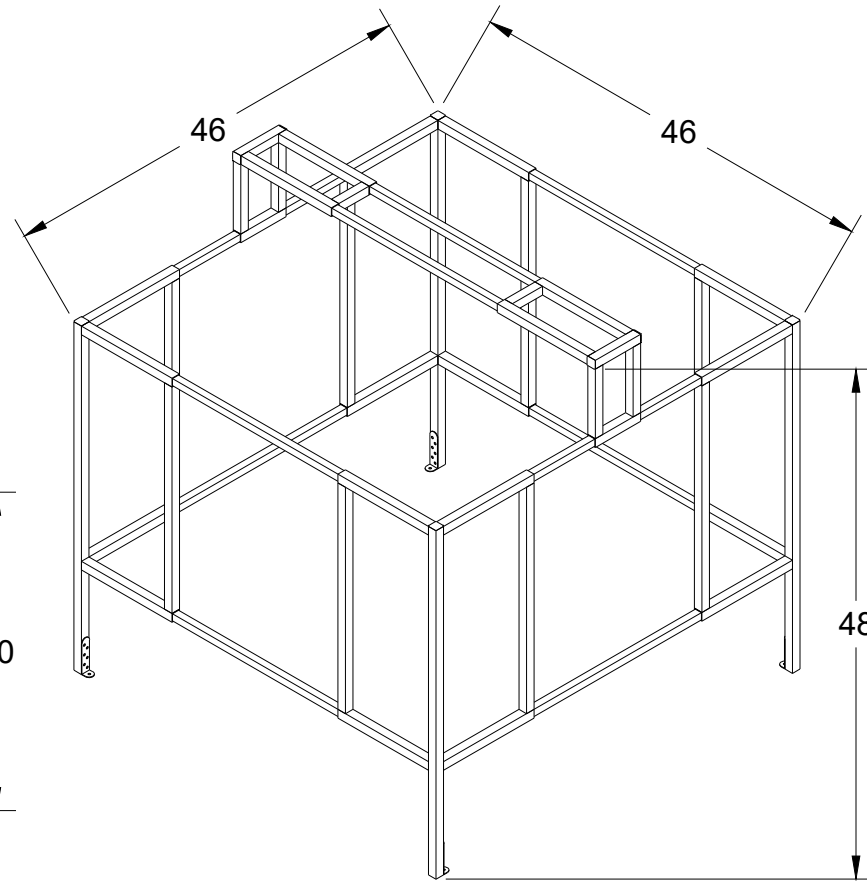
Low: 30"

Standard: 39"

High: 48"



Minimum Dimensions



Maximum Dimensions

THE METAL SHOP

APPROVED

CHECKED

DRAWN

Colton Hunt

11/19/2019

SIZE

A

REV

SHEET

2/2

SCALE 1:18