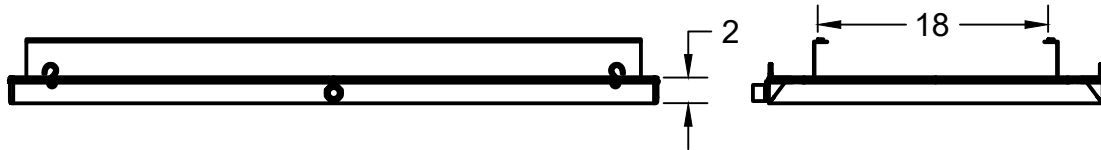
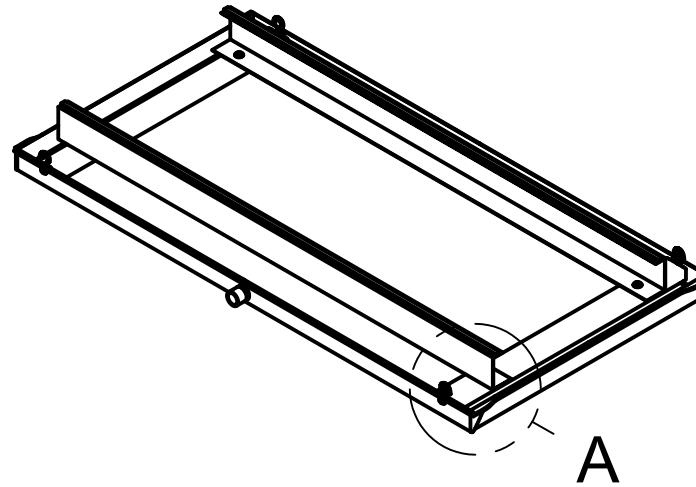
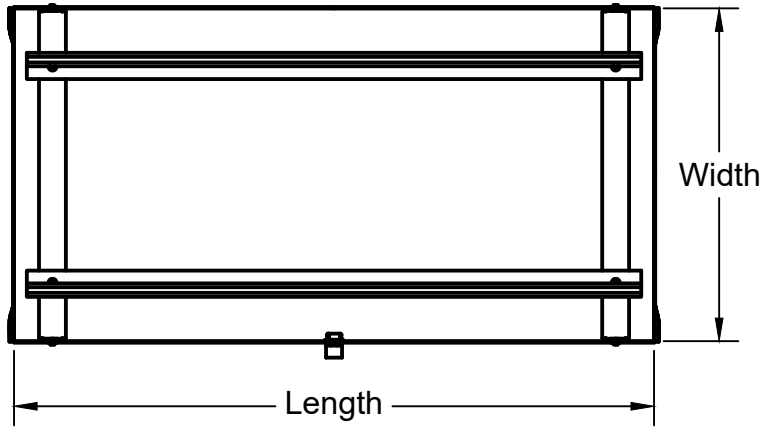
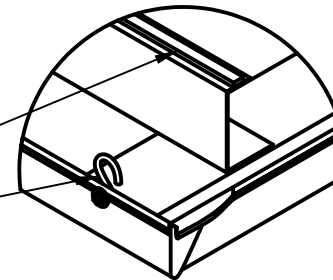


Dimensions in inches



Neoprene Gasket  
S-Hook Hardware for Hanging



**Standard Sizes:**

Part Number:	Width:	Length:
#010181	26"	48"
#010185	26"	50"
#010189	26"	52"
#010193	26"	54"
#010195	26"	56"
#010198	26"	58"

Part Number:	Width:	Length:
#010202	26"	60"
#010207	28"	48"
#010212	28"	58"
#010216	30"	60"
#010220	32"	60"

**Product:**  
**Auxillary Drain Pans With Rails**

**PRODUCT DESCRIPTION:**

Secondary Pan used as safety measure in the event of leaks or condensation.

**PRODUCT DATA:**

**Standard Features:**

- G90 Galvanized Steel Construction
- Folded Corners for water tight seal
- 3/4" PVC Drain fitting
- Standard 2" Wall height

Drains are located in the center of the Long Side

Rails are 18" apart on center

Neoprene gasket runs the length of the rails

**THE METAL SHOP**

APPROVED

CHECKED

DRAWN Colton Hunt 11/5/2019

SIZE

A

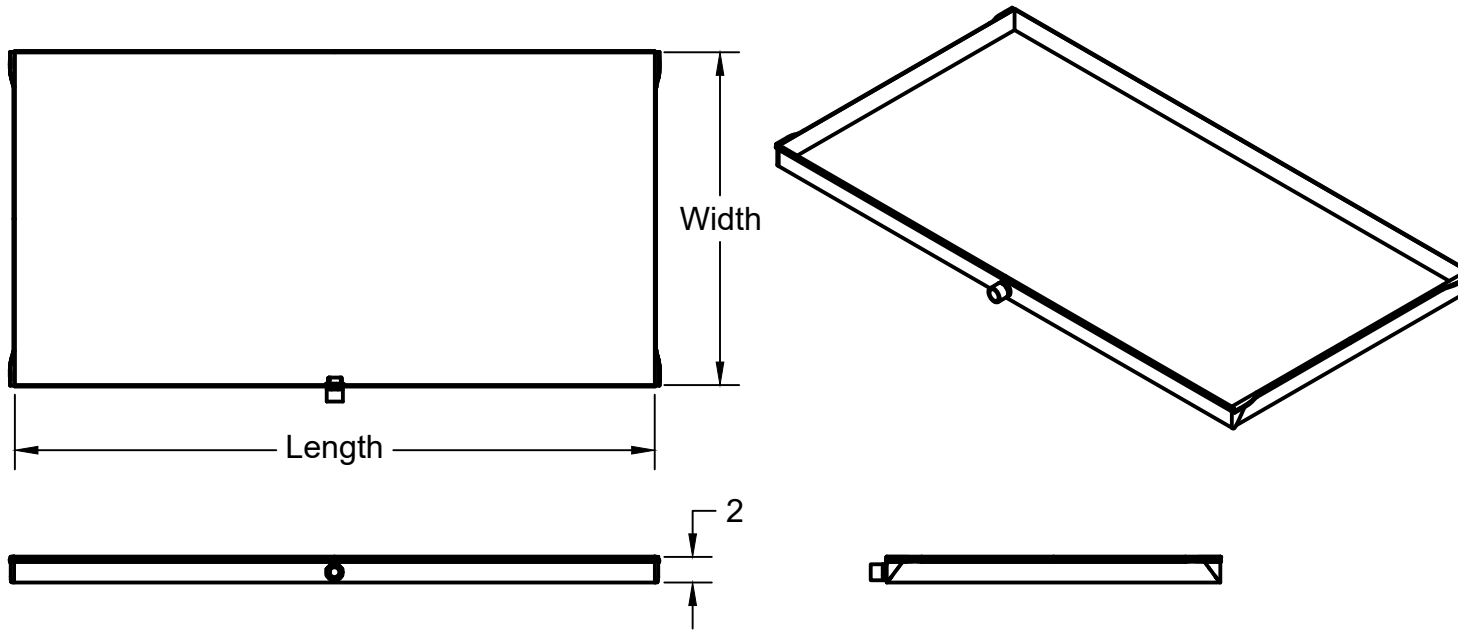
REV

SHEET

1/1

SCALE N/A

Dimensions in inches



Product:  
**Auxillary Drain Pans**

PRODUCT DESCRIPTION:

Secondary Pan used as safety measure in the event of leaks or condensation.

PRODUCT DATA:

Standard Features:

- G90 Galvanized Steel Construction
- Folded Corners for water tight seal
- 3/4" PVC Drain fitting
- Standard 2" Wall height

Drains are located in the center of the Long Side

Standard Sizes:

Part Number:	Width:	Length:
#010182	26"	48"
#010186	26"	50"
#010190	26"	52"
#010194	26"	54"
#010196	26"	56"
#010199	26"	58"

Part Number:	Width:	Length:
#010203	26"	60"
#010208	28"	48"
#010213	28"	58"
#010217	30"	60"
#010221	32"	60"

**THE METAL SHOP**

APPROVED  
CHECKED  
DRAWN Colton Hunt 11/5/2019

SIZE	REV	SHEET
A		1/1
SCALE		N/A