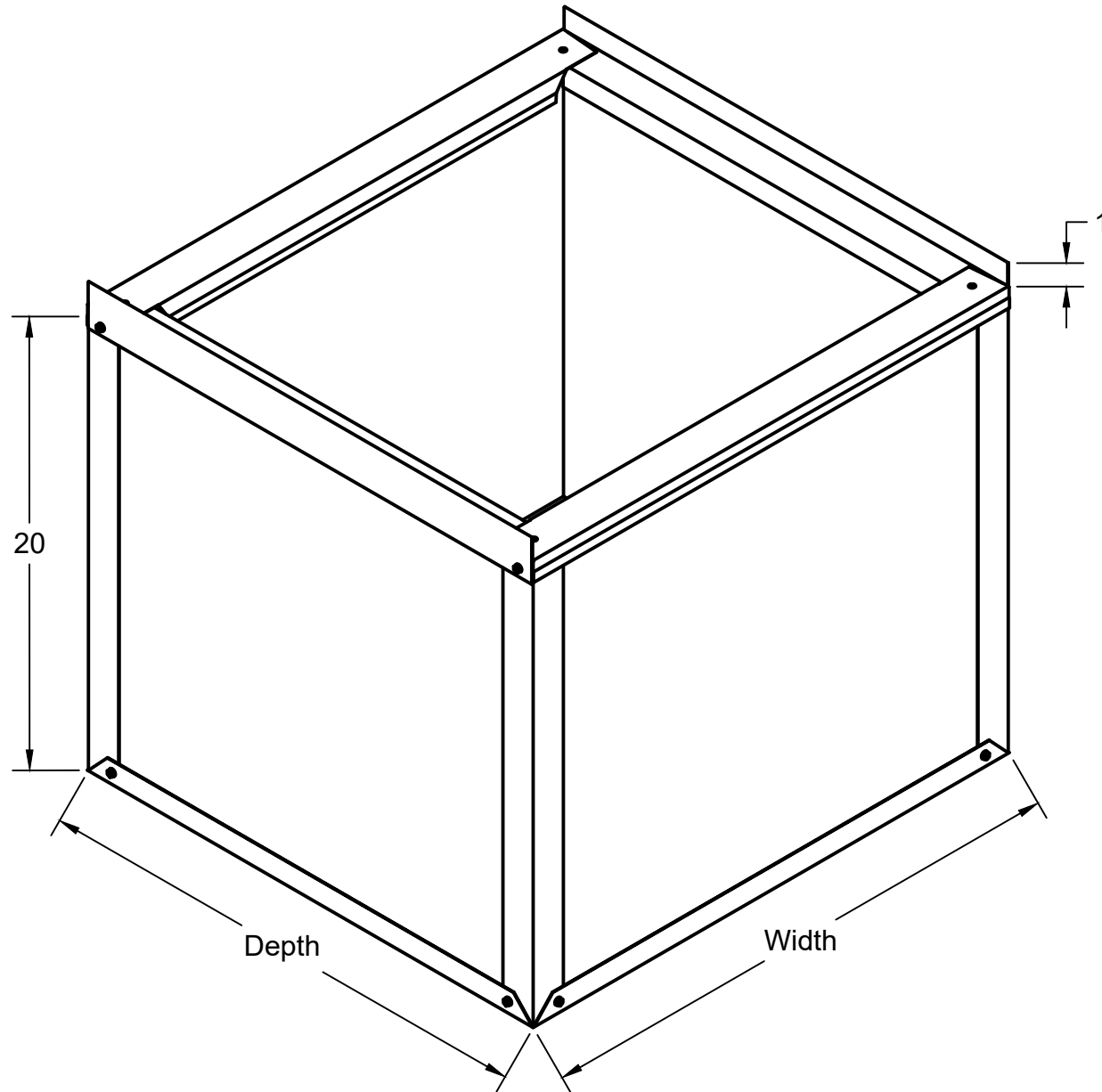


Dimensions in inches



## Part Number Fiberglass Return Air Stands

### PRODUCT DESCRIPTION:

Our most popular Air Handler Stand.

Prefabricated platform for AHU's with ducted return systems. Great for garages and other unconditioned spaces.

### PRODUCT DATA:

#### Standard Features:

- 24 Gauge G90 Steel Frame
- Holds up to 300 Lbs
- Fully Insulated
- R-6 Antimicrobial Ductboard
- 1" Mounting Flange on two Sides
- Sizes for all Major Brands

**THE METAL SHOP**

APPROVED

CHECKED

DRAWN

Colton Hunt

11/6/2019

SIZE

A

REV

SHEET

1/1

SCALE N/A