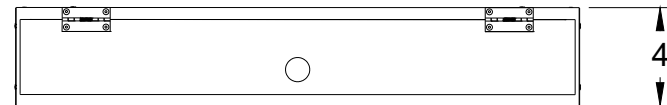
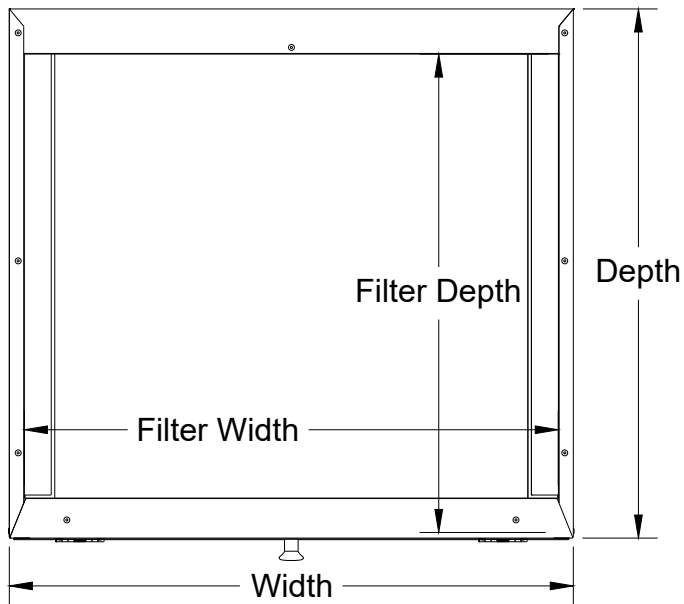
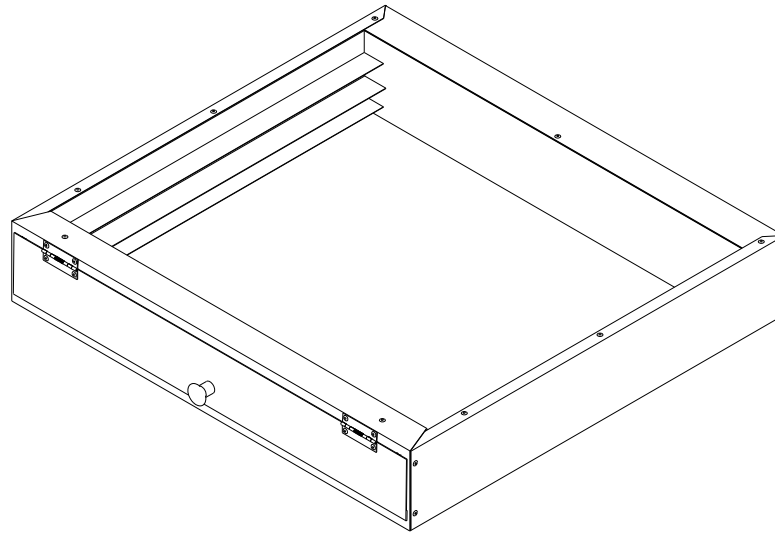


Dimensions in inches



# Product: Filter Housing

## PRODUCT DESCRIPTION:

Insulated Return Air Filter Housing mounts directly to your AHU or Return Plenum.

## PRODUCT DATA:

### Standard Features:

- 26 Gauge G90 Galvanized Steel
- Spring-loaded, Embossed Door
- Insulated with 1" Duct Liner
- Accepts both 1" and 2" Filters
- Sized to fit your equipment

**THE METAL SHOP**

APPROVED	SIZE	REV	SHEET
CHECKED	A		1/1
DRAWN Colton Hunt 11/5/2019	SCALE	N/A	