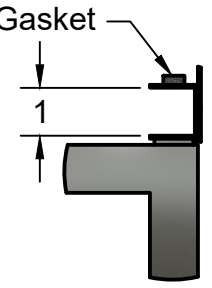
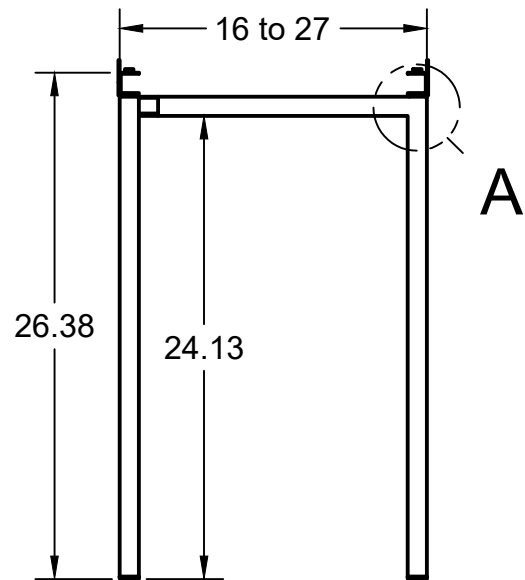
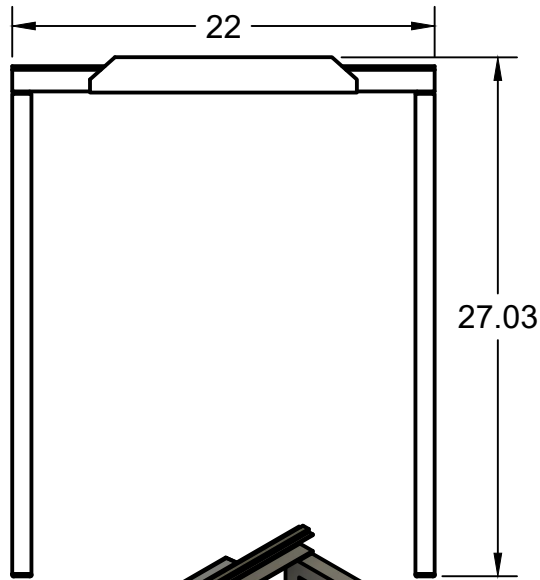
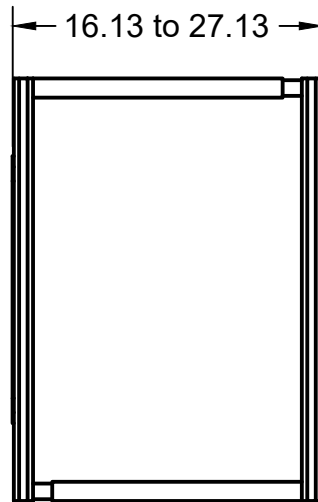
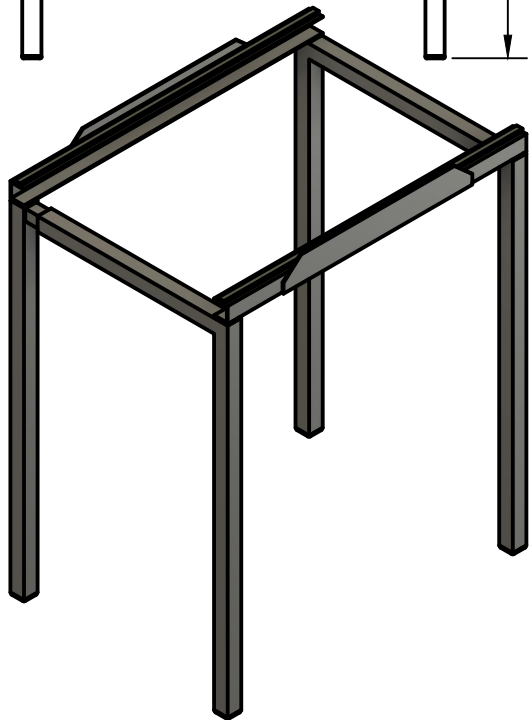


Dimensions in inches



DETAIL A  
SCALE 1:4



Part Number

**004024KD**

PRODUCT DESCRIPTION:

Boxed Adjustable SlimSide Air Handler Stand

PRODUCT DATA:

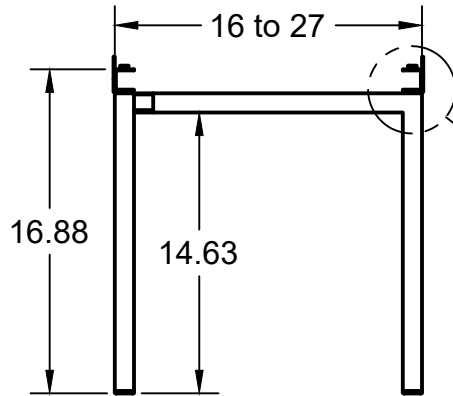
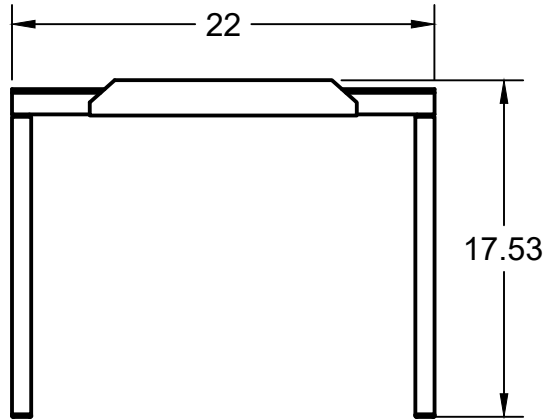
- 16 Gauge Galvanized Steel
- Ships Knocked-Down in a Box
- 1" Filter Channel
- Neoprene Gasket
- Holds up to 500 pounds

**THE METAL SHOP**

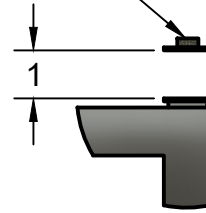
APPROVED	SIZE	REV	SHEET
CHECKED	A		1/1
DRAWN Colton Hunt 9/11/2019	SCALE 1:10		

Dimensions in inches

Side View



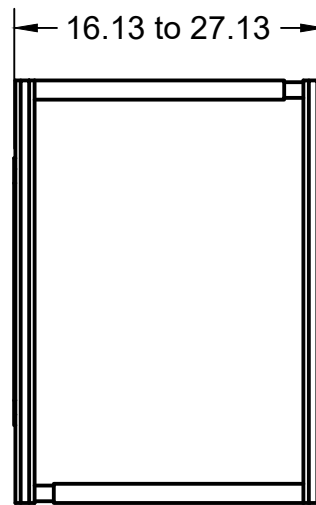
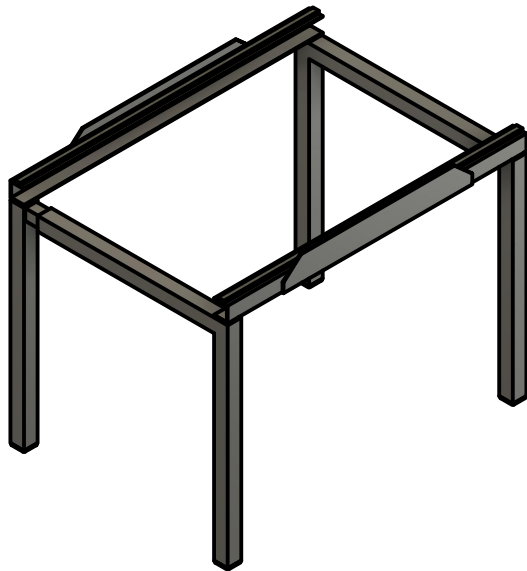
Neoprene Gasket



A

DETAIL A  
SCALE 1:4

Front View



Top View

Part Number

**004371**

PRODUCT DESCRIPTION:

Boxed Adjustable SlimSide Air Handler Stand

PRODUCT DATA:

- 16 Gauge Galvanized Steel
- Ships Knocked-Down in a Box
- 1" Filter Channel
- Neoprene Gasket
- Holds up to 500 pounds

**THE METAL SHOP**

APPROVED	SIZE	REV	SHEET
CHECKED	A		1/1
DRAWN Colton Hunt 9/10/2019	SCALE 1:10		