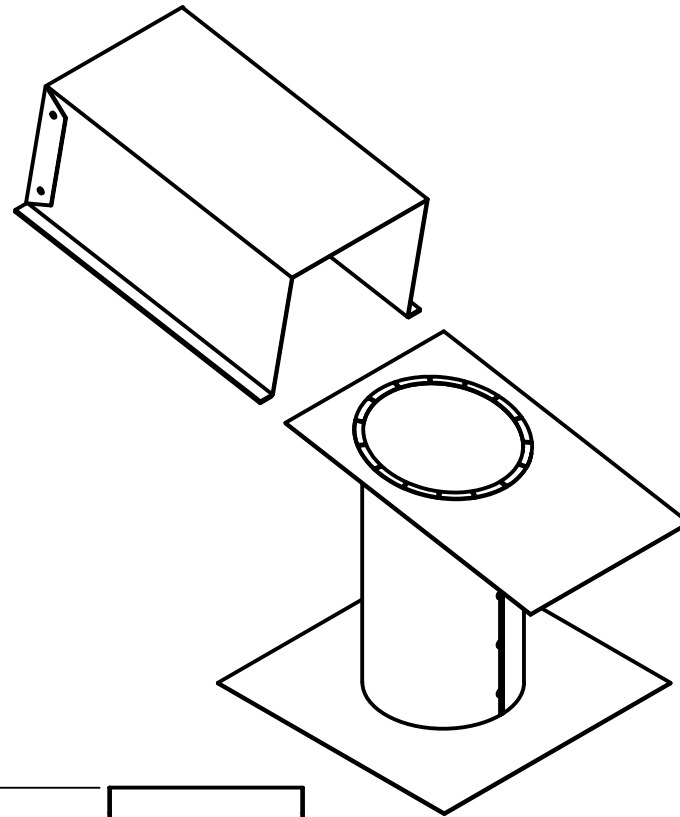
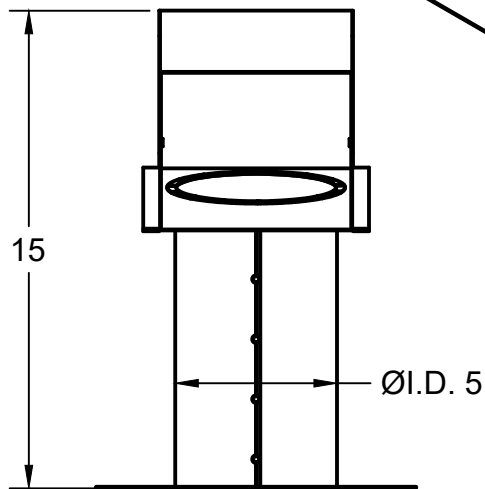
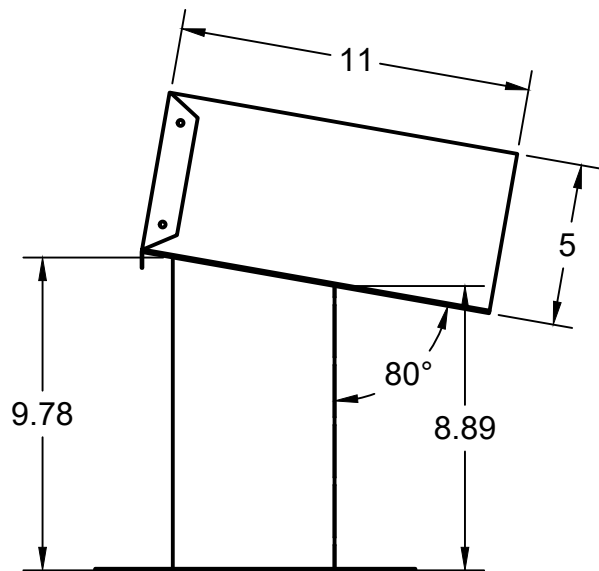
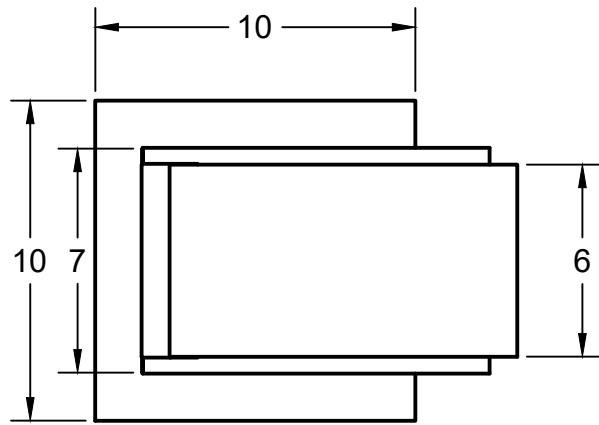


Dimensions in inches



Part Number
#575 Line Jack

PRODUCT DESCRIPTION:

Galvanized Line Jack for Refrigerant Lines

PRODUCT DATA:

Made with 26-Gauge Galvanized Steel

24-Gauge Available on Request

Seams Sealed with Silicone Sealant

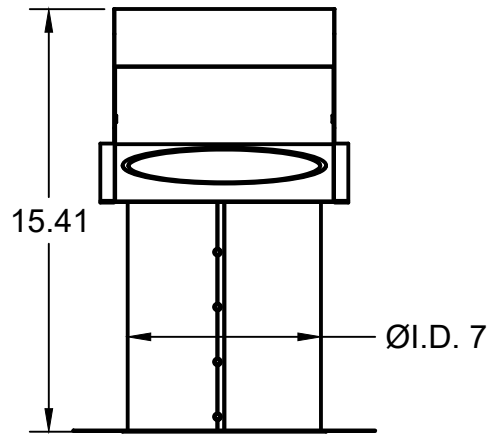
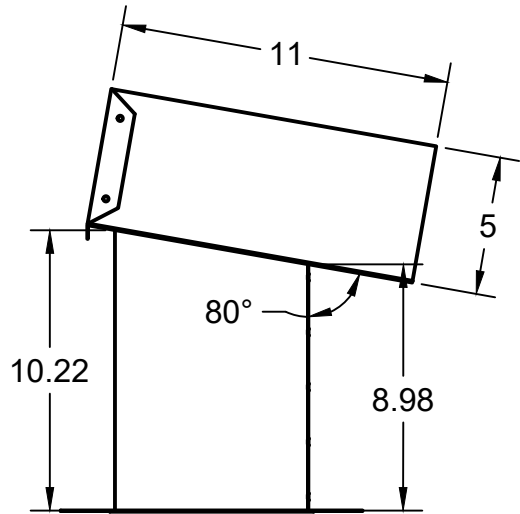
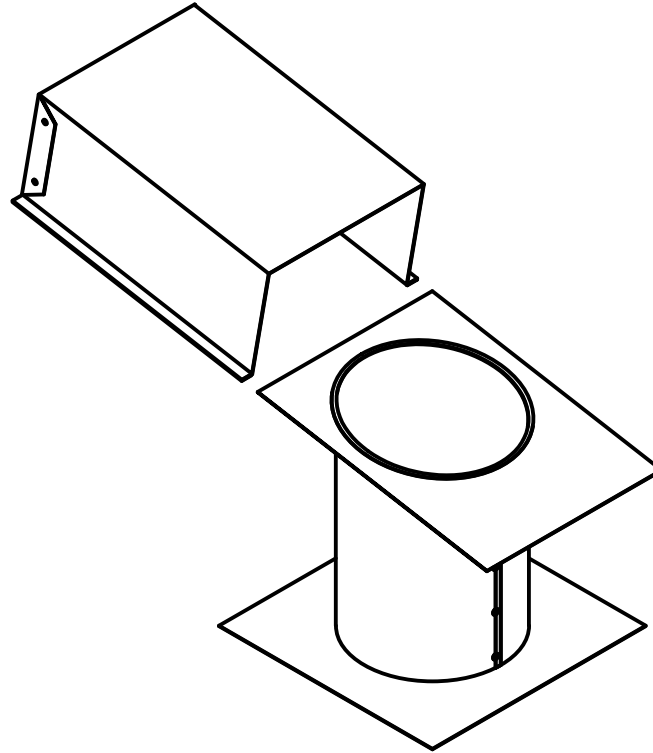
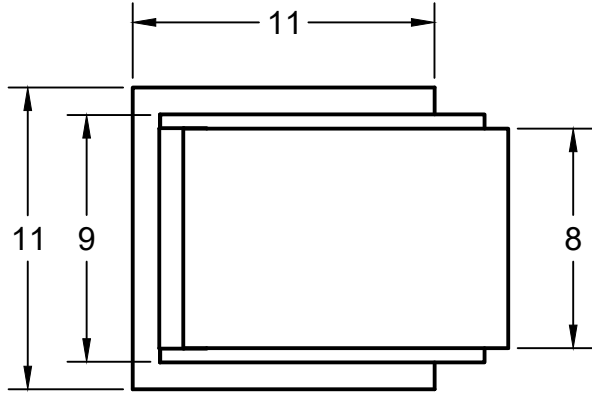
Two-Part Sliding Design for Easy Installation

Case quantity: 12

THE METAL SHOP

APPROVED	SIZE	REV	SHEET
CHECKED	A		1/1
DRAWN Colton Hunt 10/14/2019	SCALE 1:6		

Dimensions in inches



Part Number
#577 Line Jack

PRODUCT DESCRIPTION:

Galvanized Line Jack for Refrigerant Lines

PRODUCT DATA:

Made with 26-Gauge Galvanized Steel

24-Gauge Available on Request

Seams Sealed with Silicone Sealant

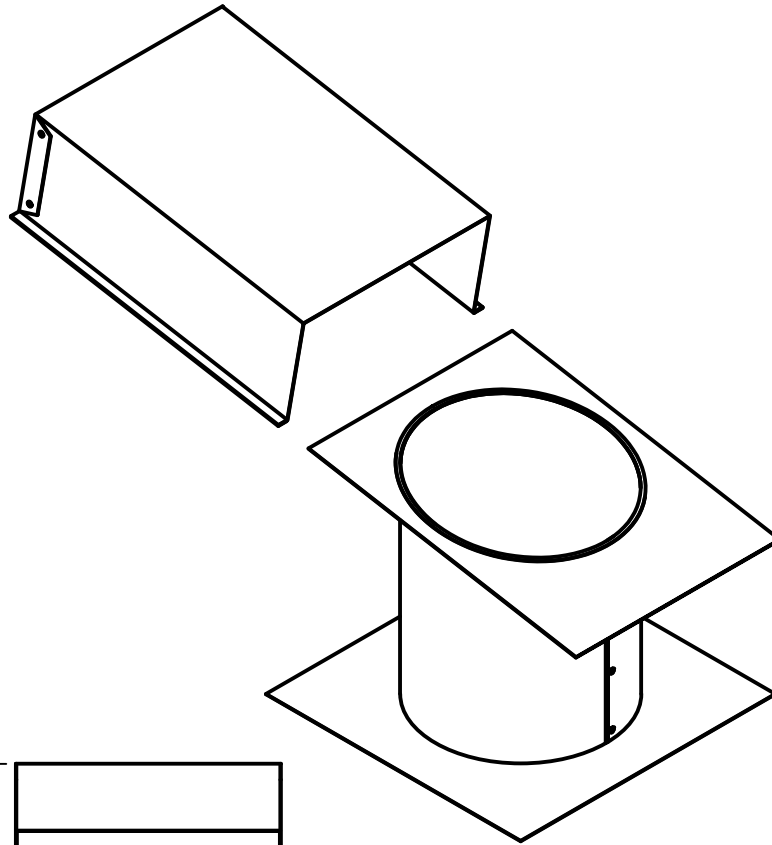
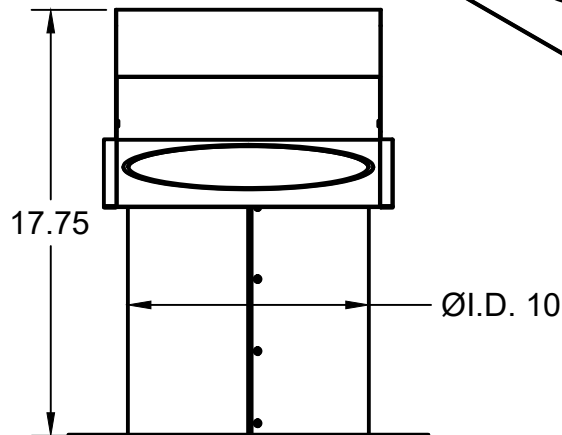
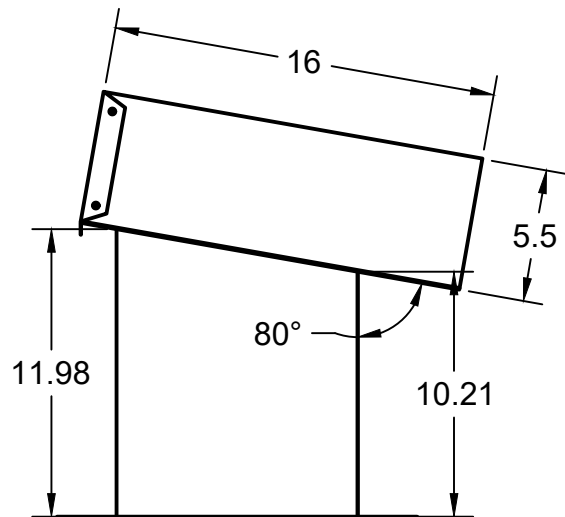
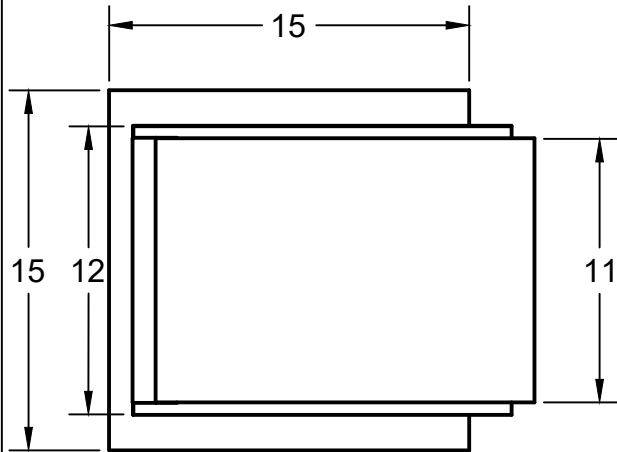
Two-Part Sliding Design for Easy Installation

Case quantity: 8

THE METAL SHOP

APPROVED	SIZE	REV	SHEET
CHECKED	A		1/1
DRAWN Colton Hunt 10/14/2019	SCALE 1:7		

Dimensions in inches



Part Number
#578 Line Jack

PRODUCT DESCRIPTION:

Galvanized Line Jack for Refrigerant Lines

PRODUCT DATA:

Made with 26-Gauge Galvanized Steel

24-Gauge Available on Request

Seams Sealed with Silicone Sealant

Two-Part Sliding Design for Easy Installation

Case quantity: 4

THE METAL SHOP

APPROVED	SIZE	REV	SHEET
CHECKED	A		1/1
DRAWN Colton Hunt 10/17/2019	SCALE 1:8		