



# Rugged, Safe and Efficient Roof Venting

## Superior Airflow Efficiency

**NEW**

**Advanced  
Model 477**



**THE CODE COMPLIANT CHOICE**

Venting the dryer through the roof can help shorten duct run length and improve efficiency. Until now, however, roof terminations were too restrictive or included code-prohibited screens.

Today, you can select roof vents that are specifically designed for the dryer. The DryerJack® minimizes airflow restriction and meets or exceeds all code requirements.

**IMC 504.4 & IRC 1502.3 Compliant**



### DryerJack 477—Low Profile Efficiency

DryerJacks are efficient. Better airflow performance is achieved through advanced engineering including damper curvature, hood size and collar placement.

DryerJack model 477 is deep draw manufactured in the U.S. from heavy gauge Galvalume®. At less than 5" tall, it delivers safe venting through the roof and low profile aesthetics.

### DryerJack 486—Extra Clearance

When you need room for high profile tile or to accommodate heavy snowfall, select model DJK486. It's nearly as efficient as model 477 but provides more clearance above the roof.

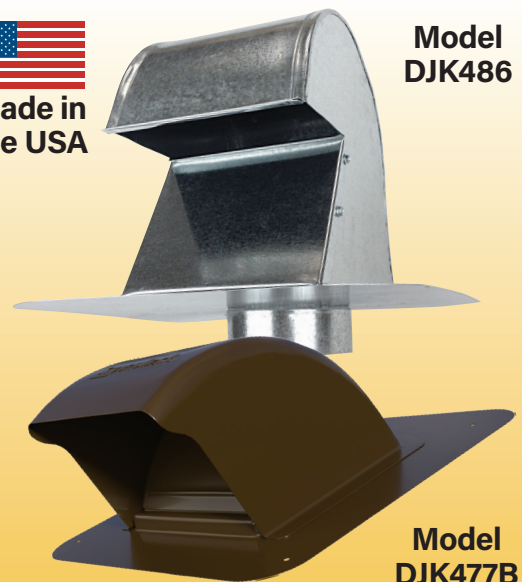
#### Key DryerJack Benefits

- Closure Design Deters Bird and Rodent Entry
- Collar and Curved Damper Maximize Airflow
- Rounded Flange Corners and Nail Holes Ease Handling and Installation



**Made in  
the USA**

**Model  
DJK486**



**Model  
DJK477B**



**THE  
METAL  
SHOP**

**888-441-2492**

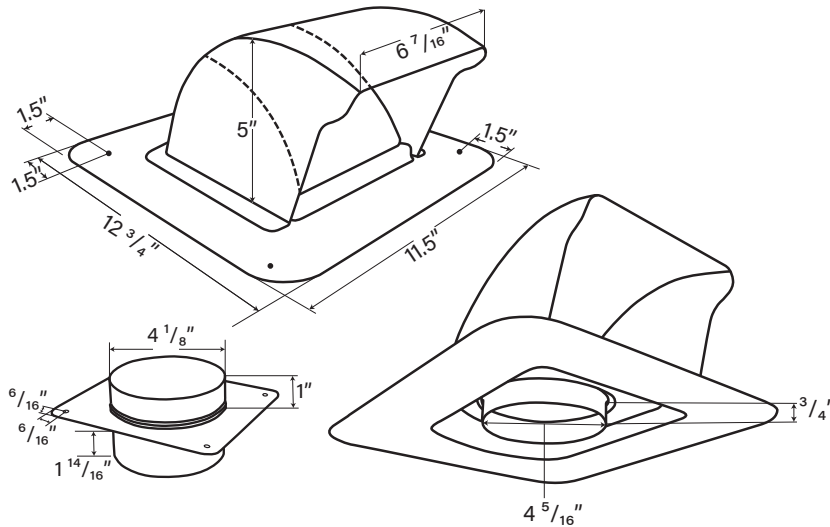
**www.MetalShop.org**

2541 West Dunnellon Road • Dunnellon, FL 34433 • Email: sales@MetalShop.org

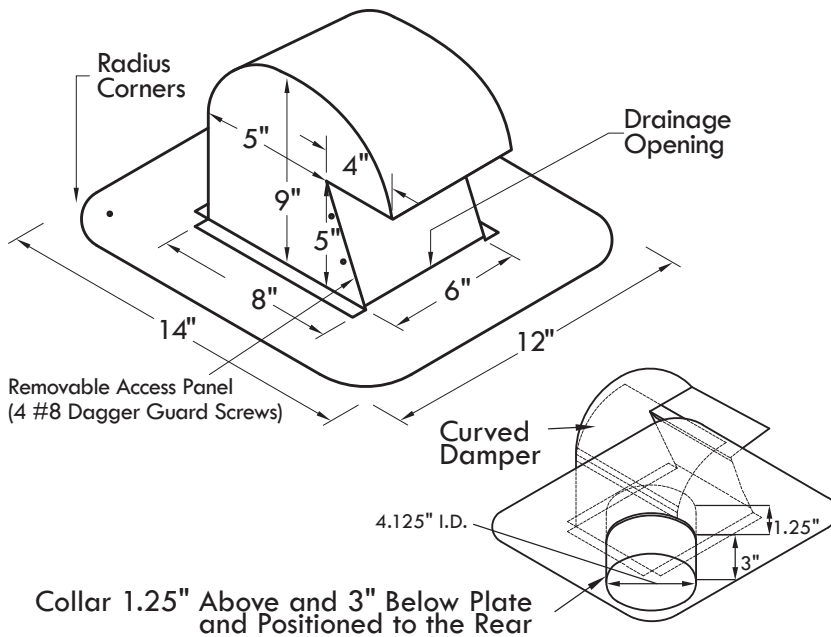
# DryerJack

## Technical Product Specifications

### DryerJack Model 477



### DryerJack Model 486



Model	Applications
DJK477	Low profile, efficient termination for safely venting the dryer through the roof.
DJK486	Extra clearance model for high profile tile or heavy snowfall zones.

#### Performance Data

##### For Use:

- Non-restrictive dryer roof vent termination
- Complies with IMC 504.4 & IRC 1502.3

##### Material:

- 26 gauge Galvalume®

##### Weight Each:

DJK477 / 3 lbs. — DJK486 4 lbs.

#### General Information

##### Benefits:

- Venting through the roof can shorten duct length
- Improved efficiency shortens cycles, saves energy
- Damper design deters bird and rodent entry
- Access features ease duct cleaning & maintenance

##### Features:

- Rugged heavy gauge Galvalume
- Rounded corner nailing flange and nail holes
- Equally suitable for new and retrofit construction

#### Distributed By

##### The Metal Shop

2541 West Dunnellon Road

Dunnellon, FL 34433

Email: [sales@MetalShop.org](mailto:sales@MetalShop.org)

Phone: 888-441-2492

Facsimile: 352-522-0007



## Made in the USA