

Dimensions in inches

Product: Filter Housing

PRODUCT DESCRIPTION:

Insulated Return Air Filter Housing mounts directly to your AHU or Return Plenum.

PRODUCT DATA: Standard Features:

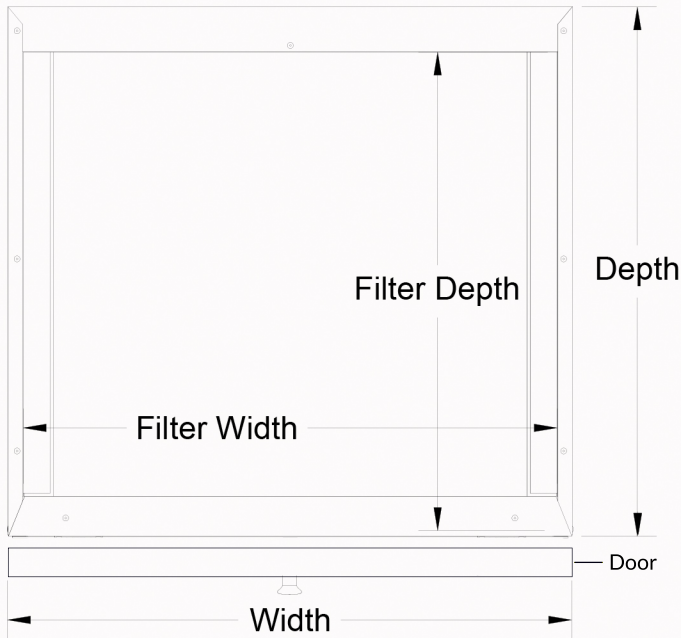
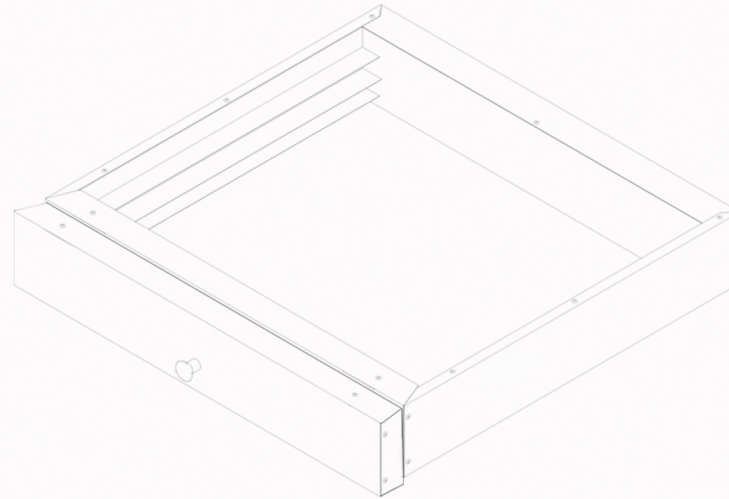
26 Gauge G90
Galvanized Steel

Embossed Magnetic Door

Fully Insulated Door and Housing with 1" Duct Liner

Models for a 1" or 2" Filter or a 4" Filter

Sizes to fit your equipment



4" Filter Models



1" or 2" Filter Models