

Dimensions in inches

Product:
Package Unit Adapters

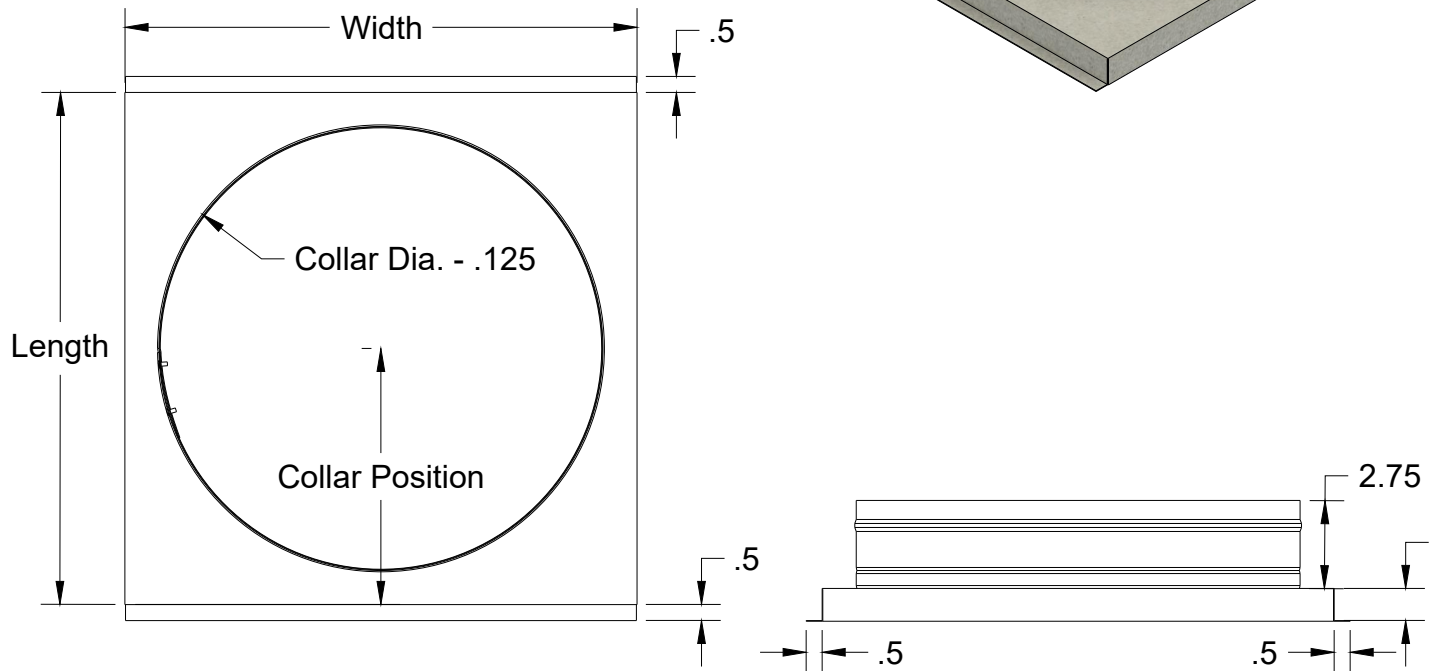
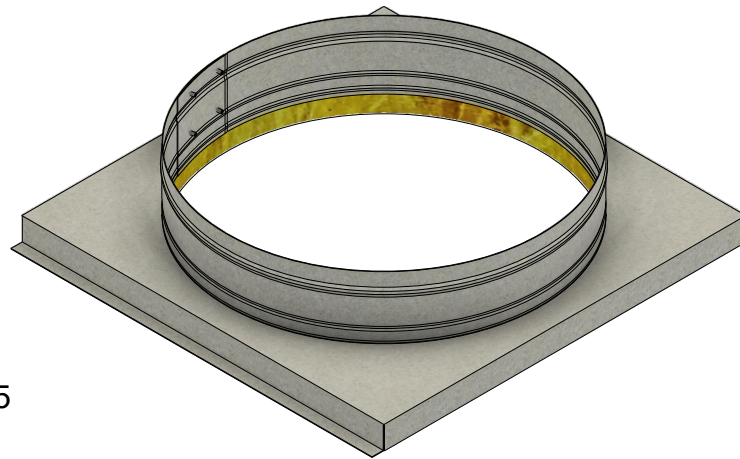
PRODUCT DESCRIPTION:

Allows the connection of Round Duct Directly to the Supply & Return of the Package Unit.

PRODUCT DATA:

Standard Features:

- Universal Sizing
- 26 Gauge G90 Galv. Steel
- Insulated with 1" Duct Liner
- 3" Beaded Duct Collar
- 1/2" mounting Flanges
- Sized to Fit your Equipment



#001331 is Made to Order

THE METAL SHOP

APPROVED	SIZE	REV	SHEET
CHECKED	A		1/1
DRAWN Colton Hunt 11/11/2019	SCALE	N/A	