



Zero Airflow Restriction



Venting the dryer through the roof can help shorten duct run length and improve efficiency. Until now, however, roof terminations were too restrictive or included code-prohibited screens.

Today, you can select roof vents that are specifically designed for the dryer. DryerJacks minimize airflow restriction and meet or exceed code requirements.

DryerJack 466—Low Profile Efficiency

Laboratory tested to less than 0.01 water column inches of airflow restriction, DryerJacks are efficient. Better airflow performance is achieved through attention to engineering detail including damper curvature, hood size and collar placement.

This model DryerJack is built to last in the U.S. and made from 26 gauge Galvalume®. Model 466, at less than 5" tall, delivers safe venting through the roof **and** low profile aesthetics.

IMC 504.4 & IRC 1502.3 Compliant



DryerJack 486—Extra Clearance

When you need room for high profile tile or to accommodate heavy snowfall, select model DJK486. It's as efficient as model 466 but provides more clearance above the roof.

Key DryerJack Benefits

- Flapper Closure Deters Bird and Rodent Entry
- Collar and Curved Damper Maximize Airflow
- Water-tight Collar Doubles Weather Protection
- Rounded Flange Corners and Nail Holes Ease Handling and Installation

Unique DJK466 Benefits

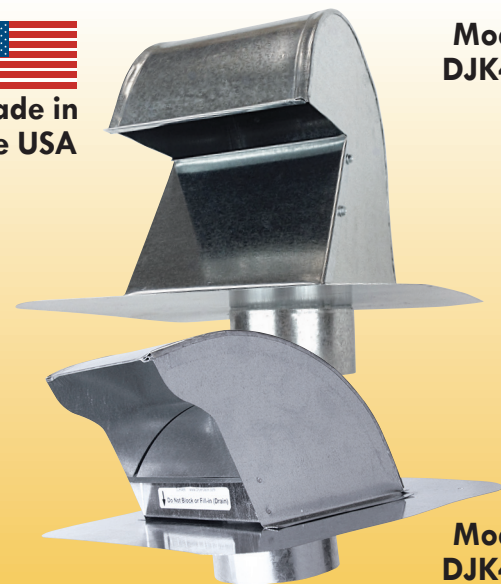
- Low Profile Improves Aesthetics
- Hood Design Accommodates Cleaning Tools

Unique DJK486 Benefits

- Taller Profile Provides Extra Clearance
- Access Door Accommodates Cleaning Tools



Made in the USA



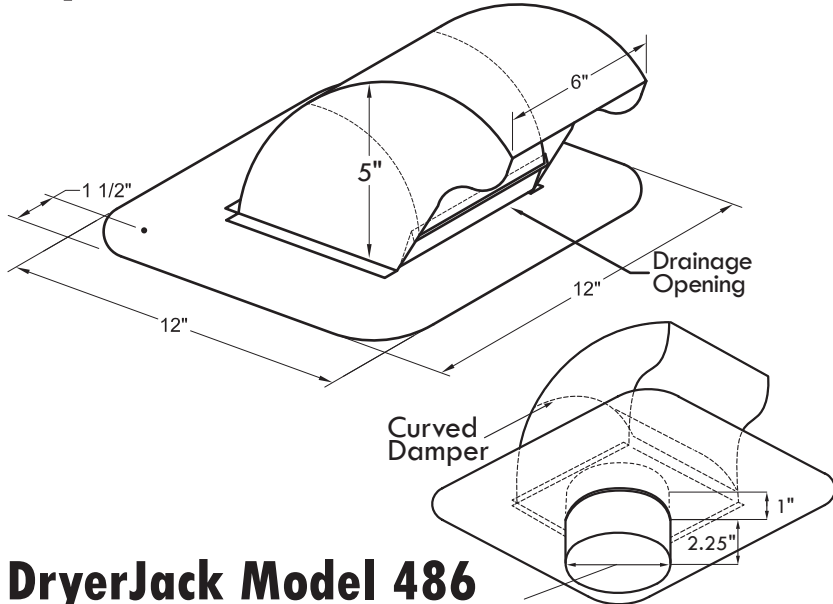
Model DJK486

Model DJK466

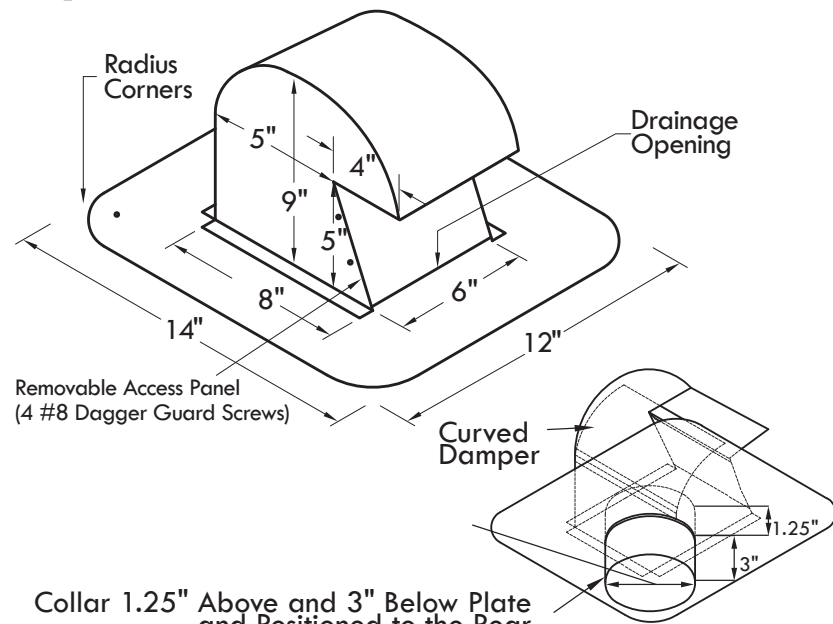
THE METAL SHOP *DryerJack*

Technical Product Specifications

DryerJack Model 466



DryerJack Model 486



| Model | Applications |
|--------|--|
| DJK466 | Low profile, efficient termination for safely venting the dryer through the roof. |
| DJK486 | Extra clearance model for high profile tile or heavy snowfall zones to safely vent the dryer through the roof. |

Performance Data

- For Use:**
- Non-restrictive dryer roof vent termination
 - Complies with IMC 504.4 & IRC 1502.3

- Material:**
- 28 gauge galvanized steel

General Information





- Benefits:**
- Venting through the roof can shorten duct length
 - Zero back pressure lengthens appliance life
 - Improved efficiency shortens cycles, saves energy
 - Damper design deters bird and rodent entry
 - Access features ease duct cleaning & maintenance

- Features:**
- Rugged 28 gauge galvanized steel
 - Rounded corner nailing flange and 6 nail holes
 - Equally suitable for new and retrofit construction
 - Watertight extended collar for secure docking

Distributed By

The Metal Shop
 2541 West Dunnellon Road
 Dunnellon, FL 34434
 Phone: (888) 441-2492
 Fax: (352) 522-0007
www.MetalShop.org

Airflow Restriction Comparison (Back Pressure Measured in Water Column Inches)

| | | | | |
|---|---|---|---|---|
|  |  |  |  |  |
| DryerJack Model 466 0.001 | DryerJack Model 486 0.02 | Low Profile Plastic .35 | Low Profile Metal .30 | Four Inch Gooseneck .45 |

Made in the USA