

Dimensions in inches

Part Number  
**Roof Top Stand**

PRODUCT DESCRIPTION:

Roof Top Stand Sizes Vary by Part Number

PRODUCT DATA:

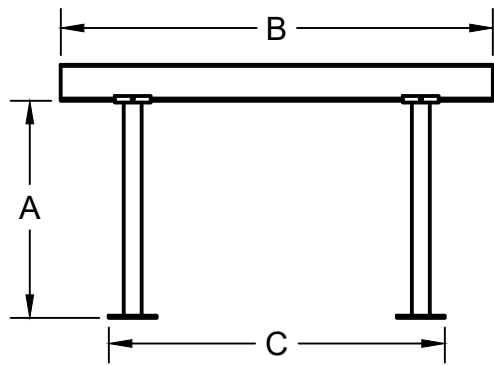
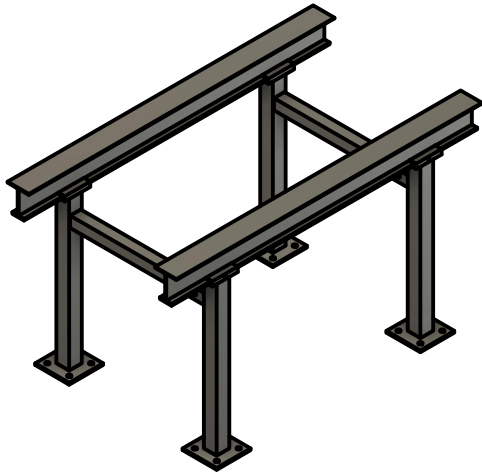
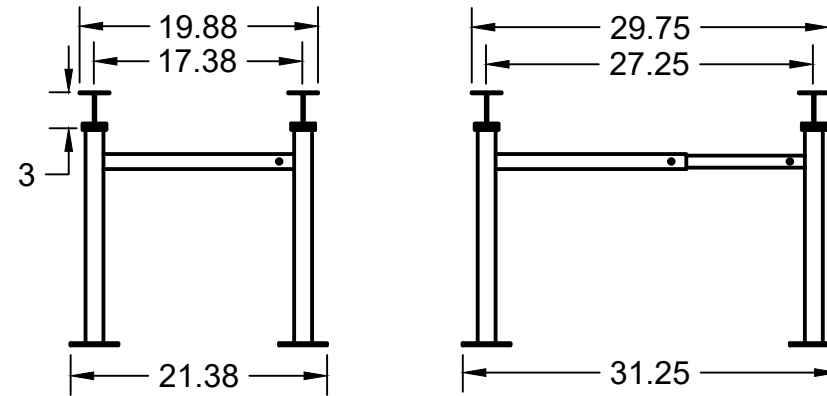
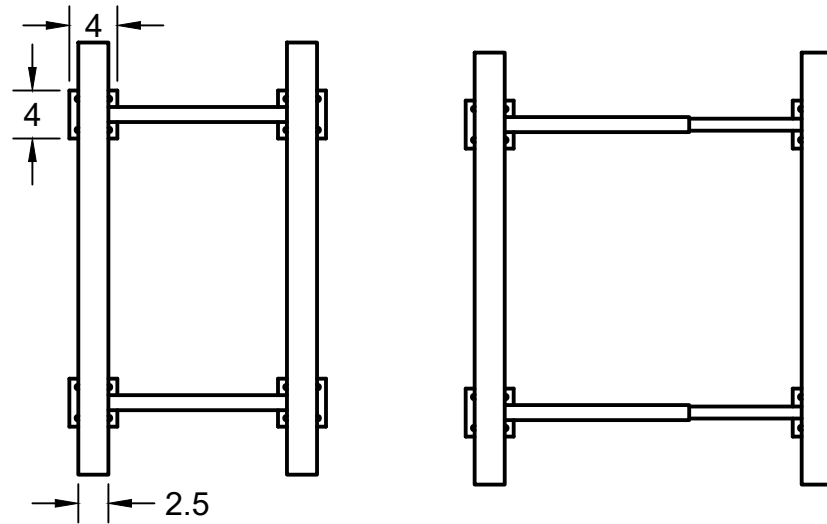
Variable Dimensions:

A: 18", 24", or 36"

B: 3' increments up to 18'

C: Varies by system- see engineering

Top View



Side View

Front View

**THE METAL SHOP**

APPROVED

CHECKED

DRAWN

Colton Hunt

9/24/2019

SIZE

A

REV

SHEET

1/1

SCALE 1:16