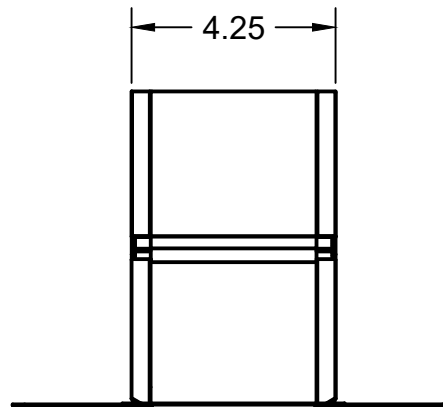
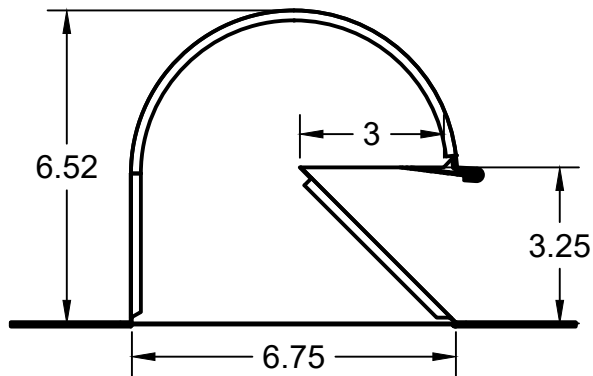
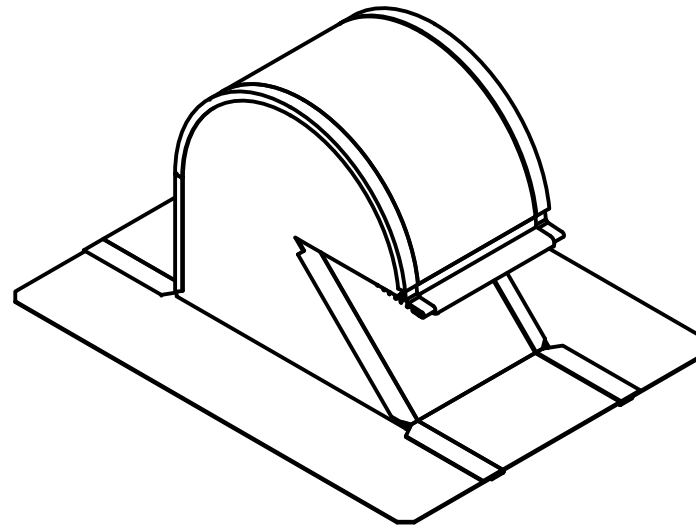
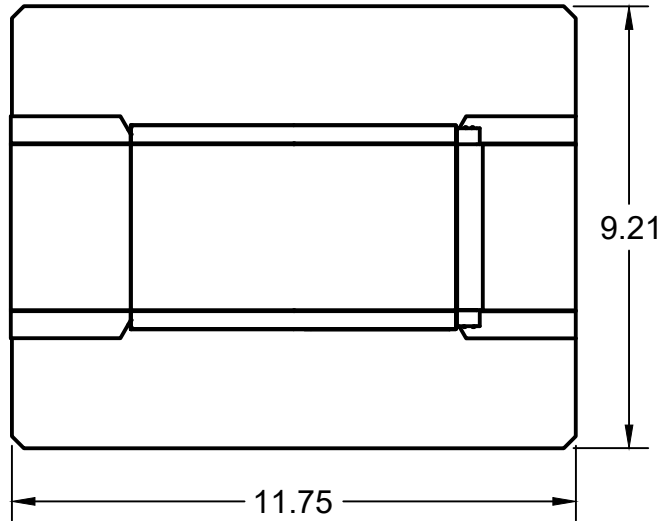


Dimensions in inches



Size:
Standard Height 4" Roof Vent

PRODUCT DESCRIPTION:

Standard Height 4" Roof Vent
For residential exhaust air applications on shingle and barrel tile roofs.

PRODUCT DATA:

Standard Features:

- 26 Gauge G90 Galvanized Steel
- Pittsburg Seams
- 2.5" Flashing around base
- Optional Screen, Damper & Collar

Part numbers:

- #006100: GRV-4
24 per case
- #006101: GRV-4C w/3" Collar
18 per case
- #006102: GRV-4D
24 per case
- #006102S: GRV-4DS
24 per case
- #006103: GRV-4C w/4" Collar
18 per case
- #006105: GRV-4DC w/ 4" Collar
18 per case
- #006105S: GRV-4DCS
18 per case

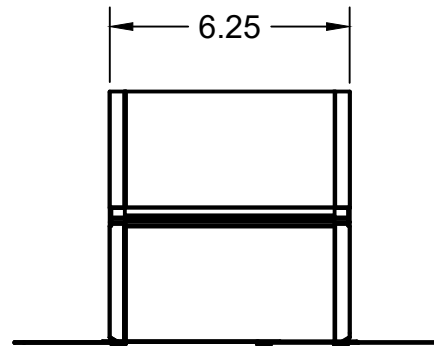
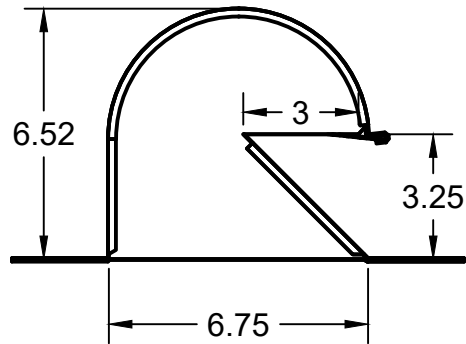
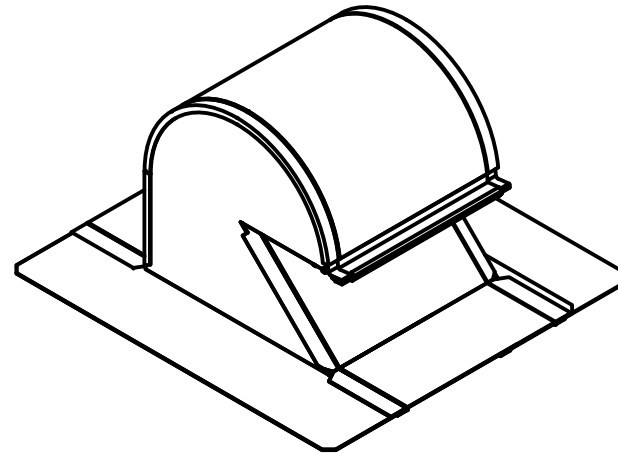
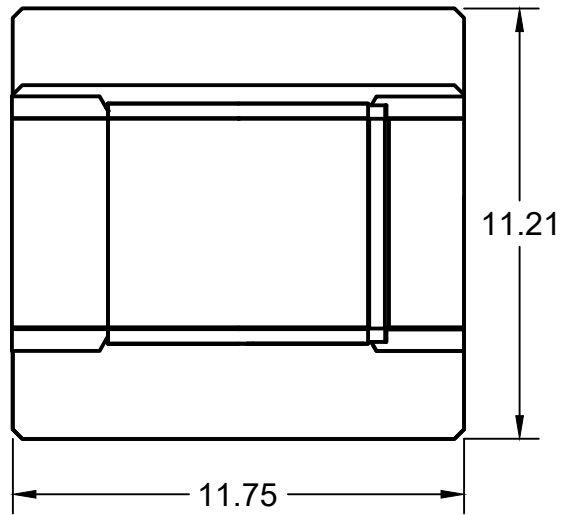
THE METAL SHOP

APPROVED			
CHECKED			
DRAWN	Colton Hunt	10/31/2019	

SIZE	REV	SHEET
A		1/1
SCALE 1:4		

Also Available in Aluminum, Copper, and Black, Brown, or White Galvalume

Dimensions in inches



Size:
Standard Height 6" Roof Vent

PRODUCT DESCRIPTION:

Standard Height 6" Roof Vent
For residential exhaust air applications on shingle and barrel tile roofs.

PRODUCT DATA:

Standard Features:

- 26 Gauge G90 Galvanized Steel
- Pittsburgh Seams
- 2.5" Flashing around base
- Optional Screen, Damper & Collar

Part numbers:

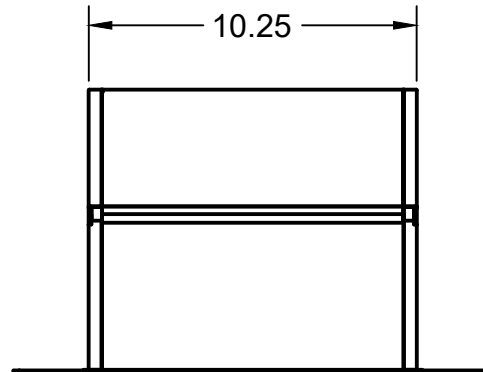
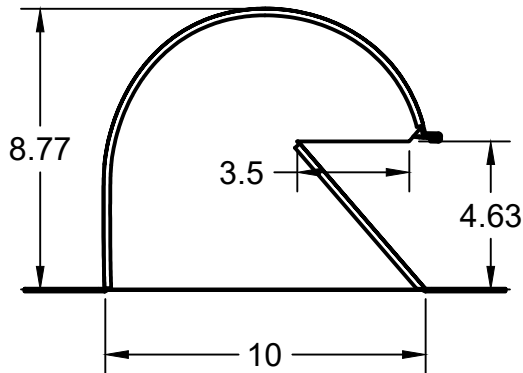
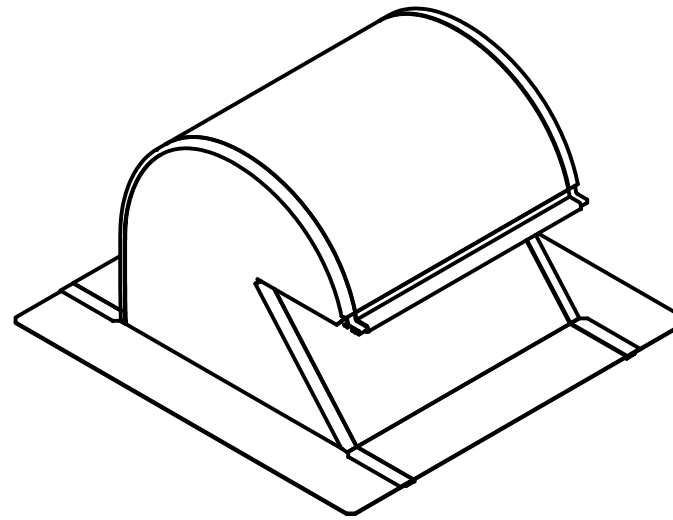
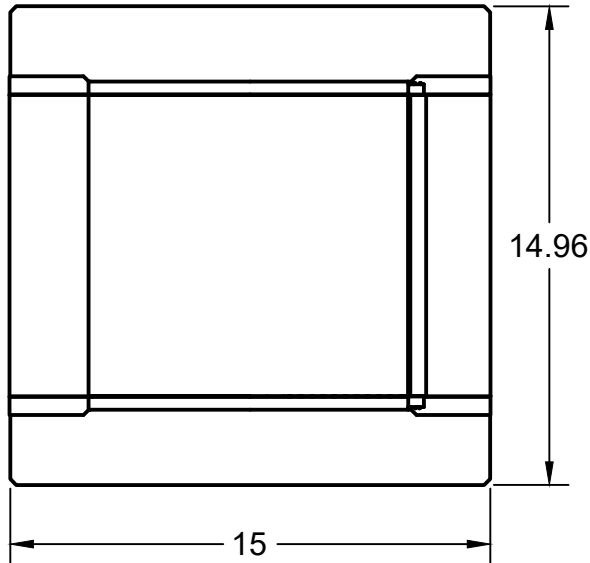
- #006118: GRV-6
16 per case
- #006119: GRV-6D
16 per case
- #006119S: GRV-6DS
16 per case
- #006120: GRV-6DC w/6" Collar
8 per case

Also Available in Aluminum, Copper, and Black, Brown, or White Galvalume

THE METAL SHOP

APPROVED	SIZE	REV	SHEET
CHECKED	A		1/1
DRAWN Colton Hunt 10/31/2019	SCALE 1:5		

Dimensions in inches



Size:
Standard Height 10" Roof Vent

PRODUCT DESCRIPTION:

Standard Height 10" Roof Vent
For residential exhaust air applications on shingle and barrel tile roofs.

PRODUCT DATA:

Standard Features:

- 26 Gauge G90 Galvanized Steel
- Pittsburgh Seams
- 2.5" Flashing around base
- Optional Screen, Damper & Collar

Part numbers:

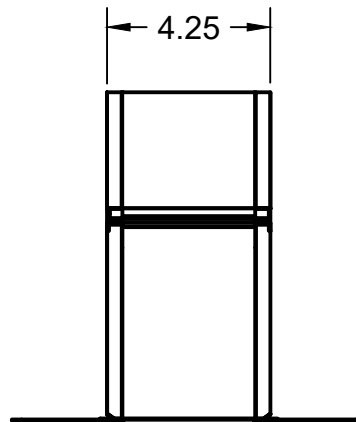
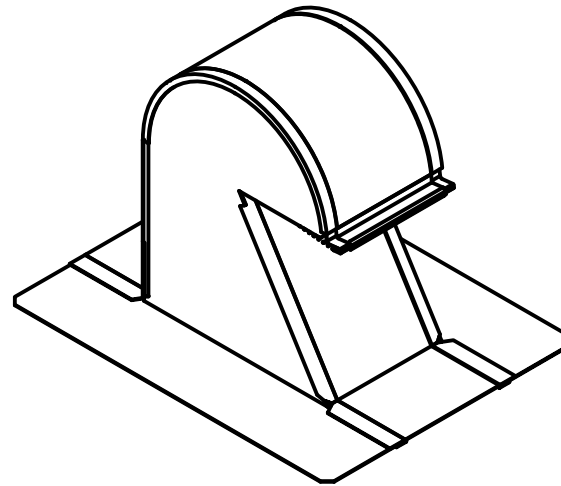
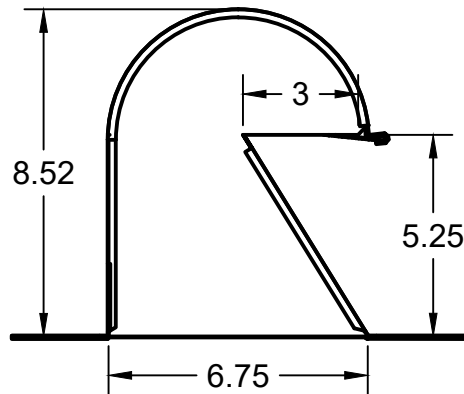
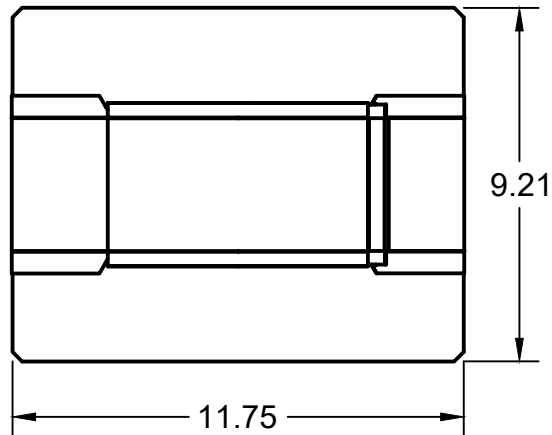
- #006130: GRV-10
6 per case
- #006131: GRV-10D
6 per case
- #006133: GRV-10DC w/7" Collar
4 per case
- #006134: GRV-10DC w/10" Collar
4 per case

Also Available in Aluminum, Copper, and Black, Brown, or White Galvalume

THE METAL SHOP

APPROVED	SIZE	REV	SHEET
CHECKED	A		1/1
DRAWN Colton Hunt 10/31/2019	SCALE 1:6		

Dimensions in inches



Size:
Tall 4" Roof Vent

PRODUCT DESCRIPTION:

Tall 4" Roof Vent
For residential exhaust air applications on shingle and barrel tile roofs.

PRODUCT DATA:

Standard Features:

- 26 Gauge G90 Galvanized Steel
- Pittsburg Seams
- 2.5" Flashing around base
- Optional Screen, Damper & Collar

Part numbers:

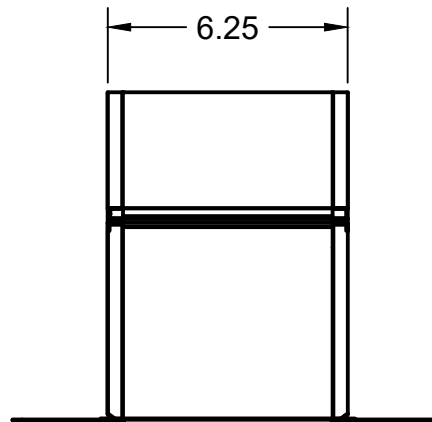
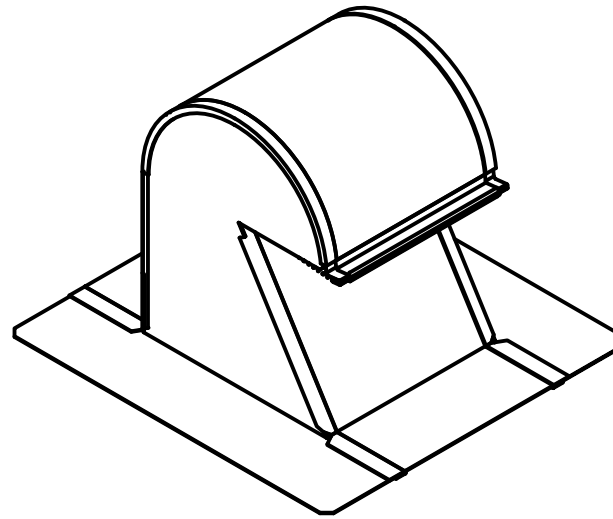
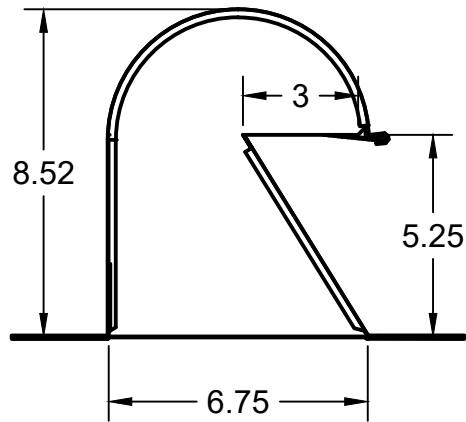
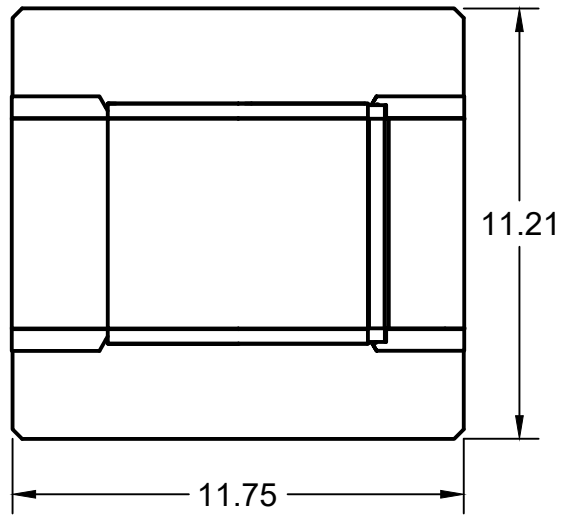
- #006107: GRV-4T
18 per Case
- #006109: GRV-4TD
18 per Case
- #006111: GRV-4TDC w/4" Collar
12 per Case

Also Available in Aluminum, Copper, and Black, Brown, or White Galvalume

THE METAL SHOP

APPROVED	SIZE	REV	SHEET
CHECKED	A		1/1
DRAWN Colton Hunt 10/31/2019	SCALE 1:5		

Dimensions in inches



Size:
Tall 6" Roof Vent

PRODUCT DESCRIPTION:

Tall 6" Roof Vent
For residential exhaust air applications on shingle and barrel tile roofs.

PRODUCT DATA:

Standard Features:

- 26 Gauge G90 Galvanized Steel
- Pittsburgh Seams
- 2.5" Flashing around base
- Optional Screen, Damper & Collar

Part numbers:

- #006122: GRV-6T
8 per Case
- #006126: GRV_6TD
8 per Case
- #006126: GRV-6TDC w/6" Collar
4 per Case

Also Available in Aluminum, Copper, and Black, Brown, or White Galvalume

THE METAL SHOP

APPROVED

CHECKED

DRAWN Colton Hunt 10/31/2019

SIZE

A

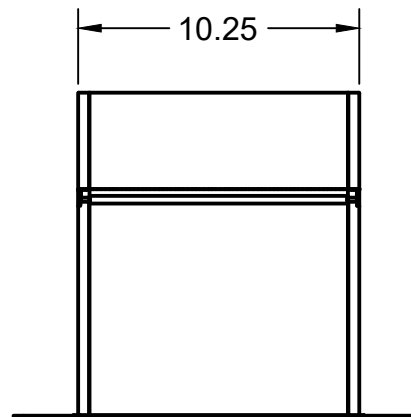
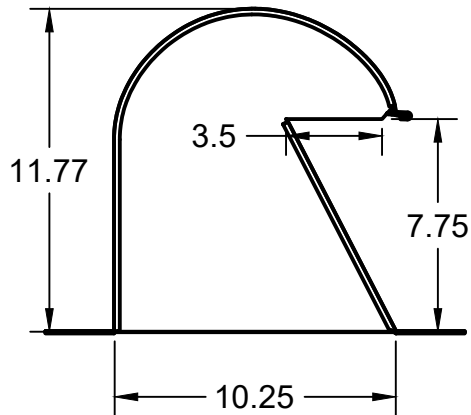
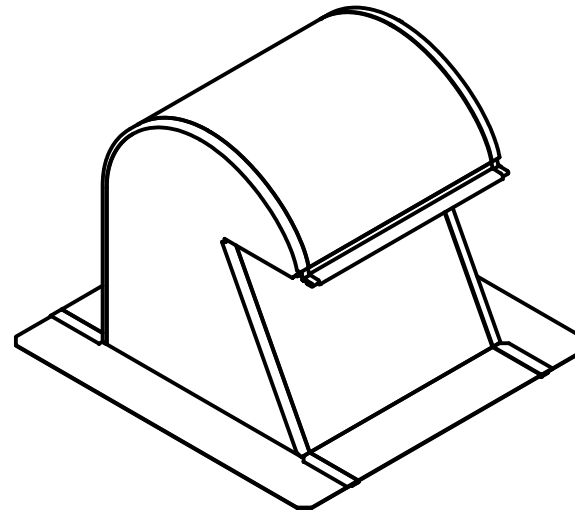
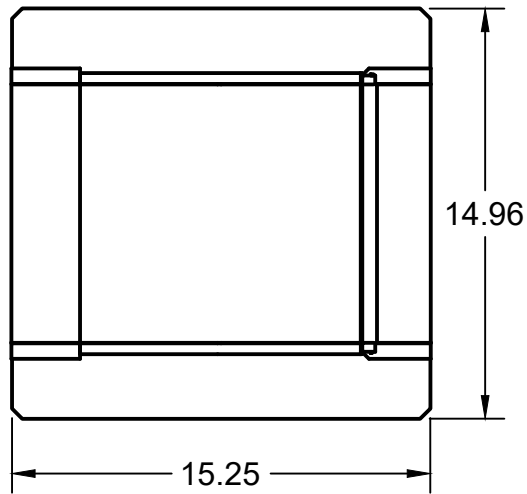
REV

SCALE 1:5

SHEET

1/1

Dimensions in inches



Size:
Tall 10" Roof Vent

PRODUCT DESCRIPTION:

Tall 10" Roof Vent
For residential exhaust air applications on shingle and barrel tile roofs.

PRODUCT DATA:

Standard Features:

- 26 Gauge G90 Galvanized Steel
- Pittsburg Seams
- 2.5" Flashing around base
- Optional Screen, Damper & Collar

Part numbers:

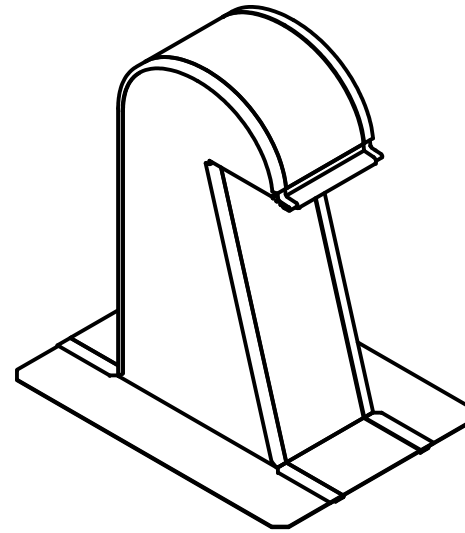
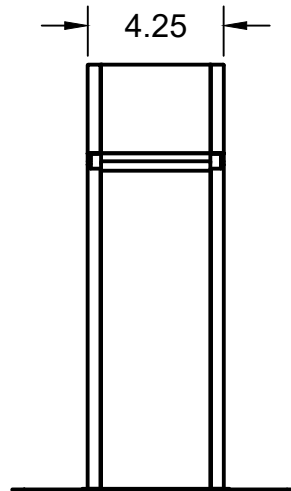
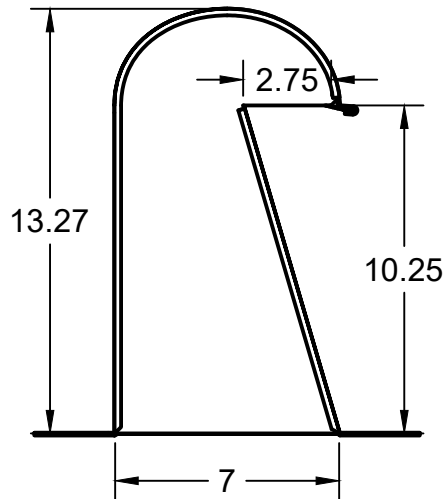
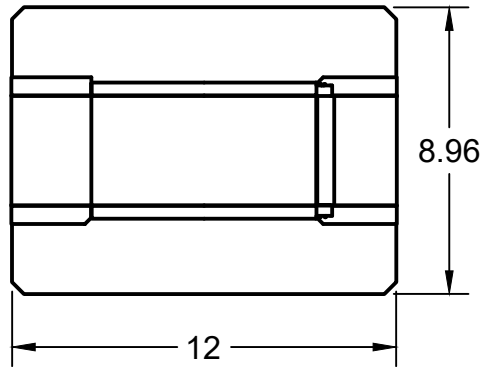
- #006135: GRV-10T
4 per Case
- #006137: GRV-10TD
4 per Case
- #006138: GRV-10TC w/10" Collar
4 per Case

Also Available in Aluminum, Copper, and Black, Brown, or White Galvalume

THE METAL SHOP

APPROVED	SIZE	REV	SHEET
CHECKED	A		1/1
DRAWN Colton Hunt 10/31/2019	SCALE 1:7		

Dimensions in inches



Size: Extra Tall 4" Roof Vent

PRODUCT DESCRIPTION:

Extra Tall 4" Roof Vent
For residential exhaust air applications on shingle and barrel tile roofs.

PRODUCT DATA:

Standard Features:

- 26 Gauge G90 Galvanized Steel
- Pittsburg Seams
- 2.5" Flashing around base
- Optional Screen, Damper & Collar

Part numbers:

#006113: GRV-4XT
10 per Case
#006114: GRV-4XTD
10 per Case
#006116: GRV-4XTDC w/4" Collar
10 per Case
#006116S: GRV-4XTDCS w/4" Collar
10 per Case

Also Available in Aluminum, Copper, and Black, Brown, or White Galvalume

THE METAL SHOP

APPROVED

CHECKED

DRAWN Colton Hunt 10/31/2019

SIZE

A

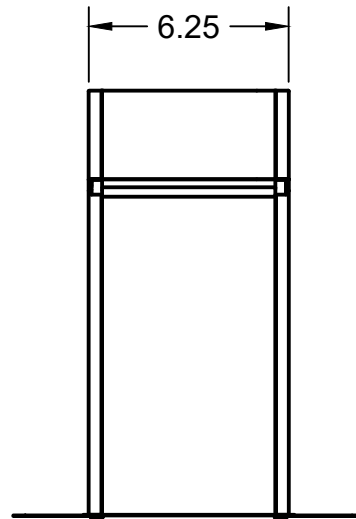
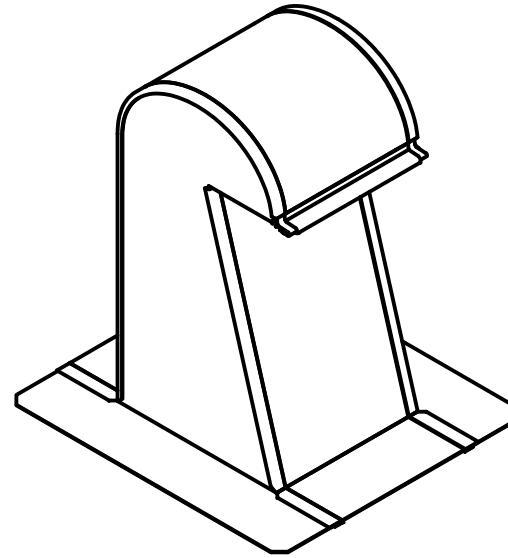
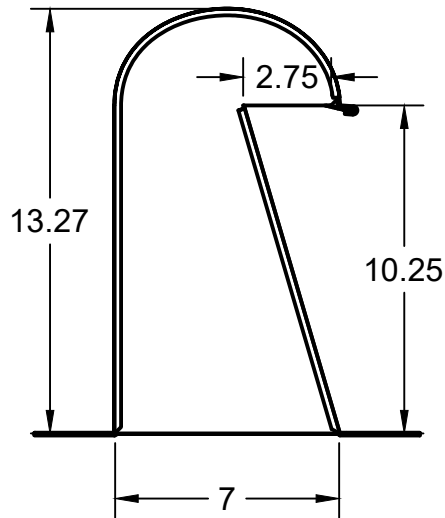
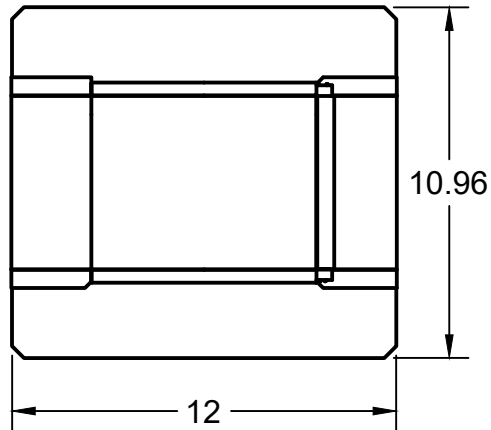
REV

SCALE 1:6

SHEET

1/1

Dimensions in inches



Size:
Extra Tall 6" Roof Vent

PRODUCT DESCRIPTION:

Extra Tall 6" Roof Vent
For residential exhaust air applications on shingle and barrel tile roofs.

PRODUCT DATA:

Standard Features:

- 26 Gauge G90 Galvanized Steel
- Pittsburg Seams
- 2.5" Flashing around base
- Optional Screen, Damper & Collar

Part numbers:

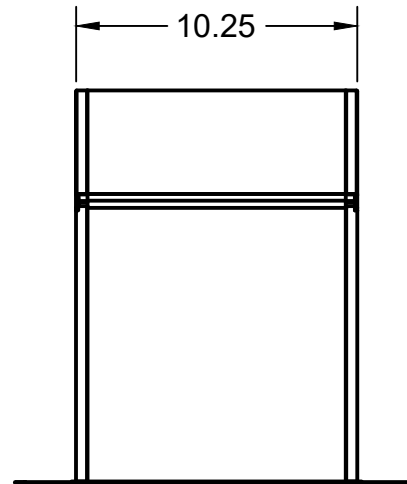
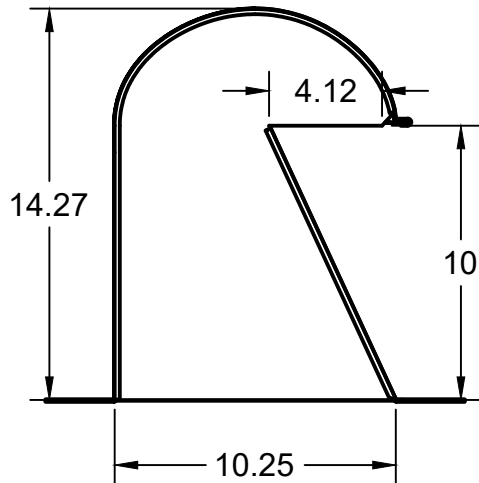
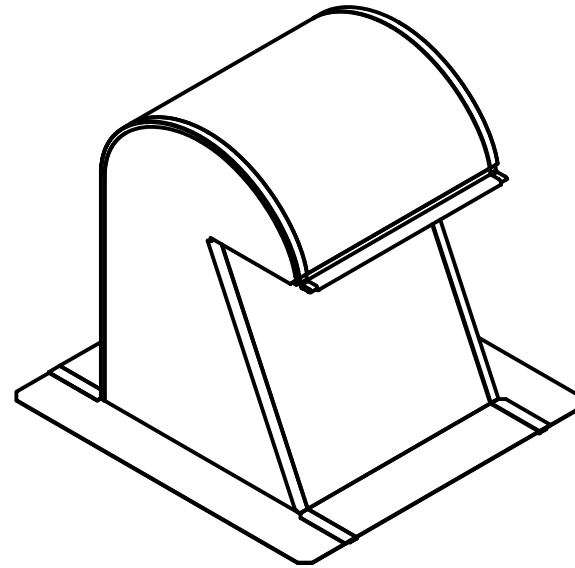
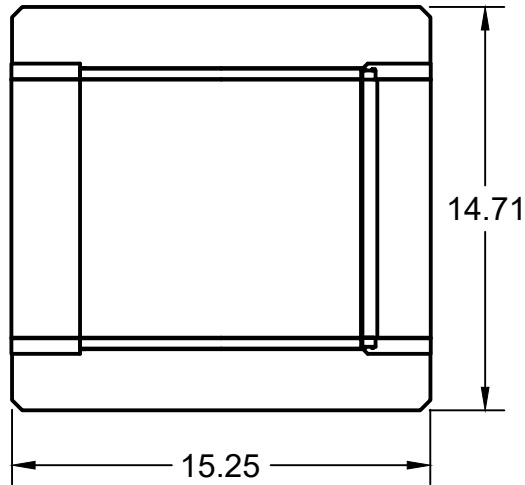
- #006999: GRV-6XT
- #006999: GRV-6XTD
- #006999: GRV-6XTDC
- #006999: GRV-6XTDCS

Also Available in Aluminum, Copper, and Black, Brown, or White Galvalume

THE METAL SHOP

APPROVED	SIZE	REV	SHEET
CHECKED	A		1/1
DRAWN Colton Hunt 10/31/2019	SCALE 1:6		

Dimensions in inches



Size:
Extra Tall 10" Roof Vent

PRODUCT DESCRIPTION:

Extra Tall 10" Roof Vent
For residential exhaust air applications on shingle and barrel tile roofs.

PRODUCT DATA:

Standard Features:

- 26 Gauge G90 Galvanized Steel
- Pittsburg Seams
- 2.5" Flashing around base
- Optional Screen, Damper & Collar

Part numbers:

#006139: GRV-10XT

4 per Case

#006139D: GRV-10XTD

4 per Case

Also Available in Aluminum, Copper, and Black, Brown, or White Galvalume

THE METAL SHOP

APPROVED

CHECKED

DRAWN Colton Hunt 10/31/2019

SIZE

A

REV

SCALE 1:7

SHEET

1/1