

Dimensions in inches

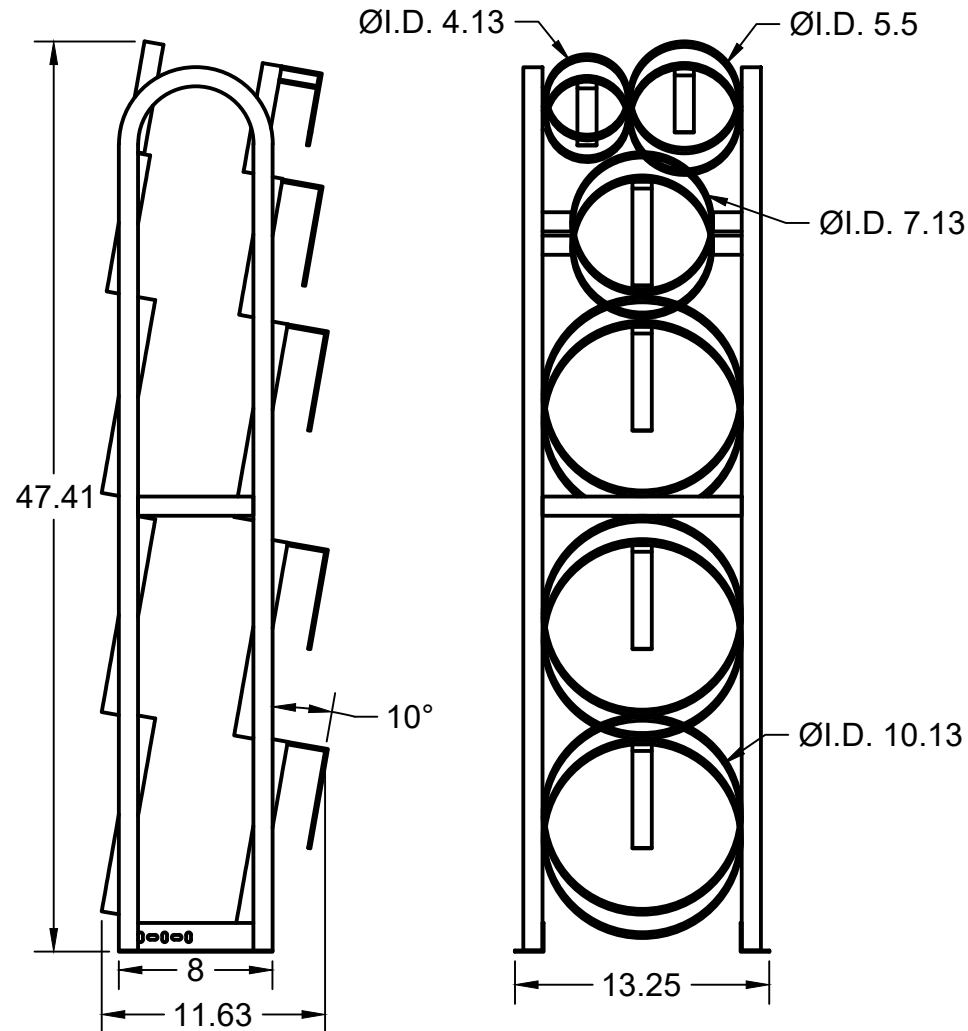
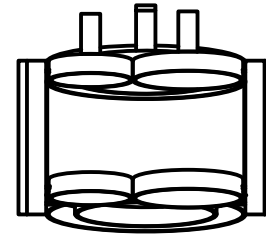
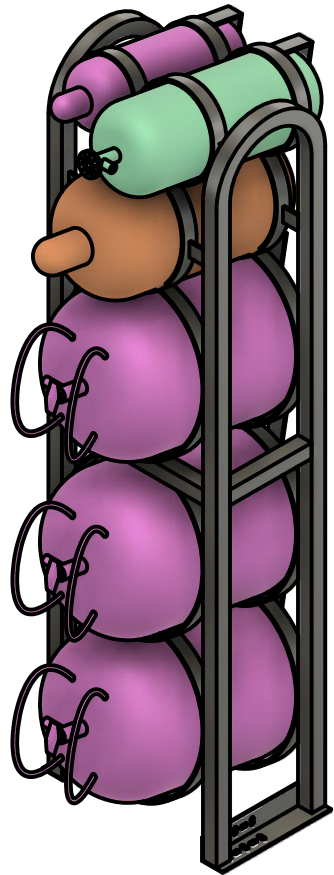
Part Number
004-791 Junior

PRODUCT DESCRIPTION:
Refrigerant Tank Rack

PRODUCT DATA:

3- 30 lb
1- MC
1- R-oxy
1- Nit

- Welded using 16-gauge G-90 galvanized tube steel
- Rings are made using 12-gauge G-90 galvanized steel
- Weight: 27lbs



THE METAL SHOP

| | | | |
|-----------------------------|------------|-----|-------|
| APPROVED | SIZE | REV | SHEET |
| CHECKED | A | | 1/1 |
| DRAWN Colton Hunt 9/17/2019 | SCALE 1:10 | | |

Dimensions in inches

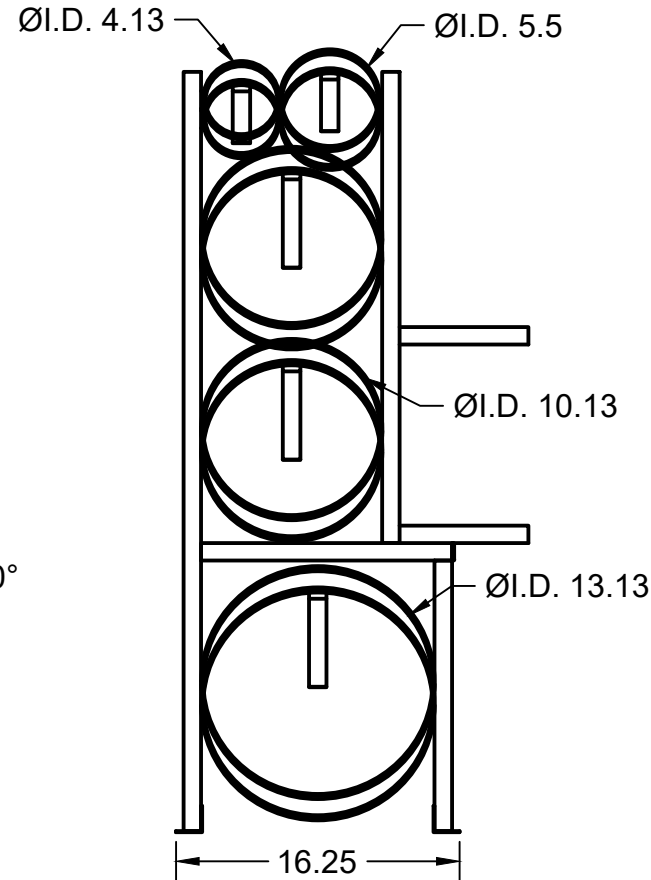
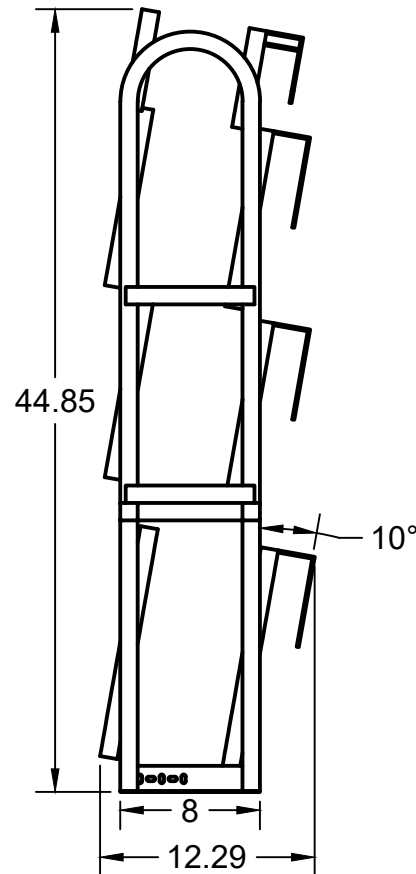
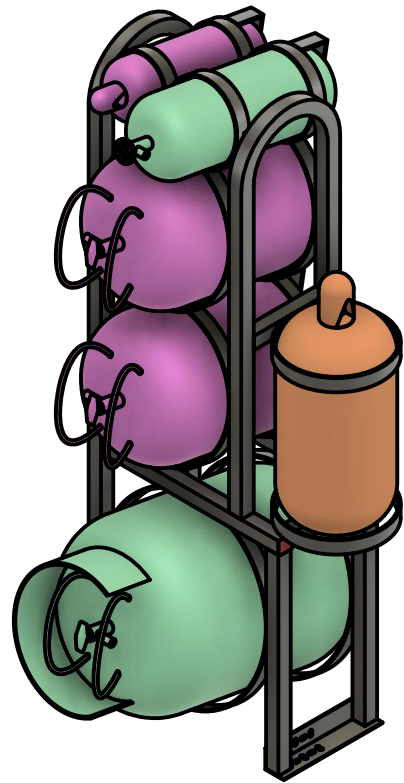
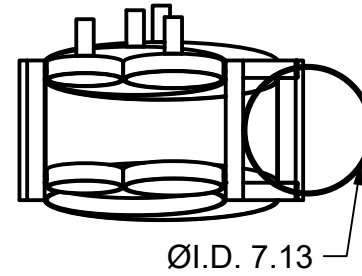
Part Number
004-794 Big Boy

PRODUCT DESCRIPTION:
Refrigerant Tank Rack

PRODUCT DATA:

- 1- 50 lb
- 2- 30 lb
- 1- MC
- 1- R-oxy
- 1- Nit

- Welded using 16-gauge G-90 galvanized tube steel
- Rings are made using 12-gauge G-90 galvanized steel
- Weight: 25lbs



THE METAL SHOP

| | | | |
|-----------------------------|------------|-----|-------|
| APPROVED | SIZE | REV | SHEET |
| CHECKED | A | | 1/1 |
| DRAWN Colton Hunt 9/18/2019 | SCALE 1:11 | | |

Dimensions in inches

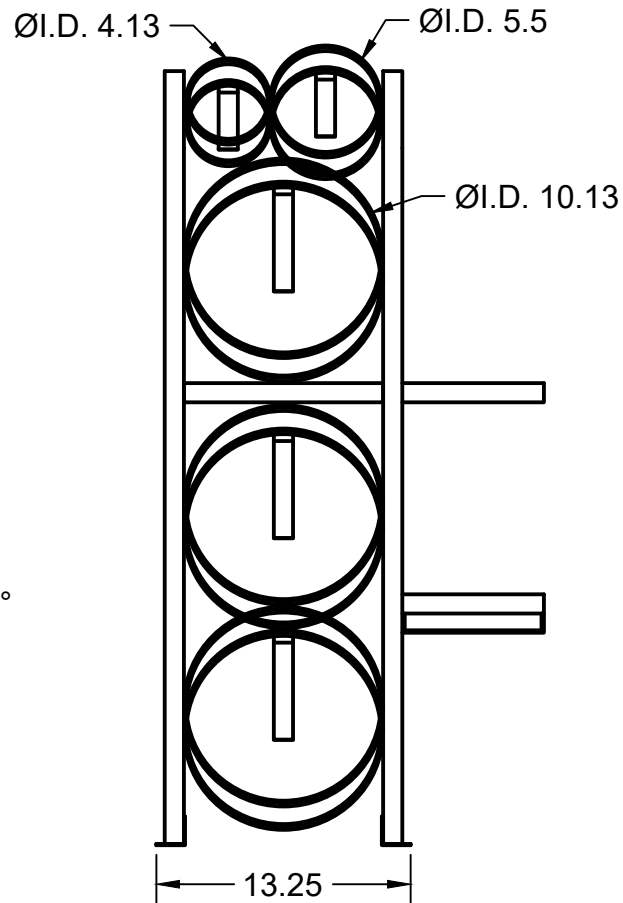
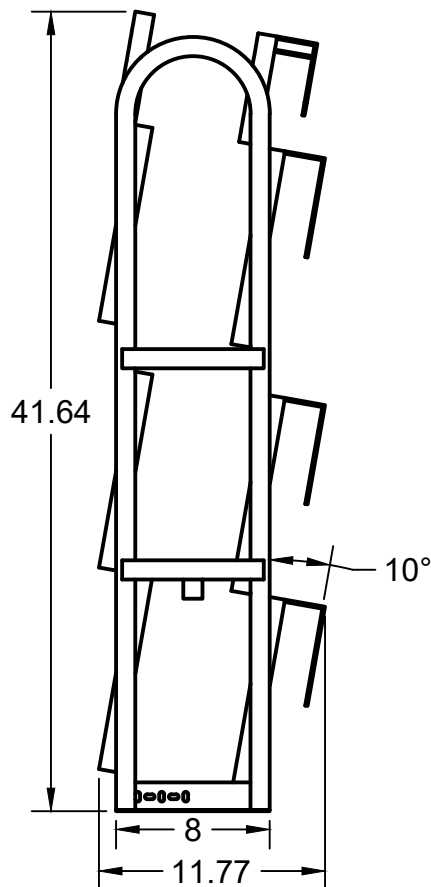
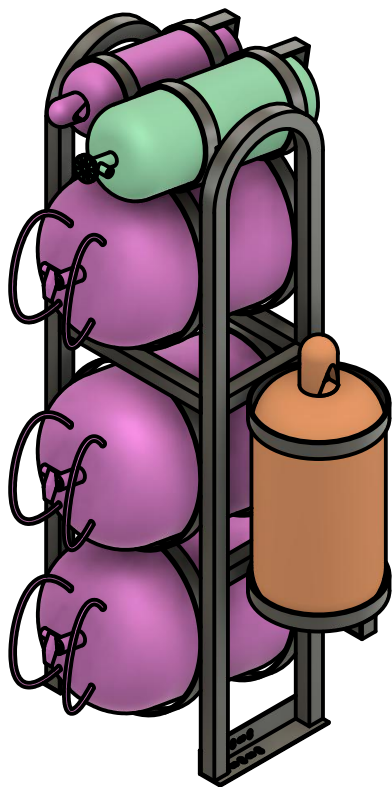
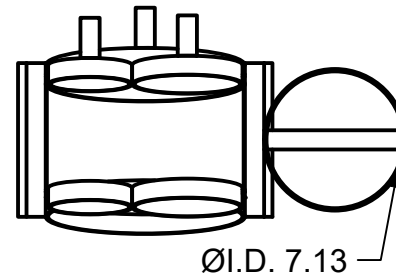
Part Number
004-795 Little Boy

PRODUCT DESCRIPTION:
Refrigerant Tank Rack

PRODUCT DATA:

3- 30 lb
1- MC
1- R-oxy
1- Nit

- Welded using 16-gauge G-90 galvanized tube steel
- Rings are made using 12-gauge G-90 galvanized steel
- Weight: 24lbs



THE METAL SHOP

| | | | |
|-----------------------------|------------|-----|-------|
| APPROVED | SIZE | REV | SHEET |
| CHECKED | A | | 1/1 |
| DRAWN Colton Hunt 9/18/2019 | SCALE 1:10 | | |

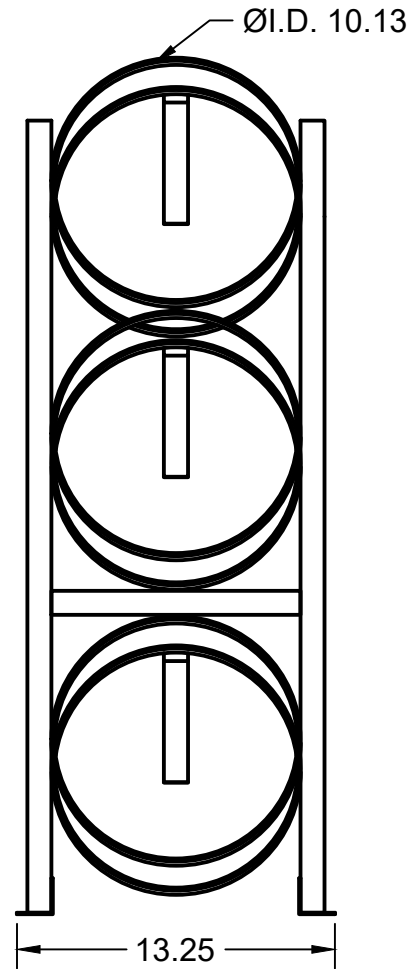
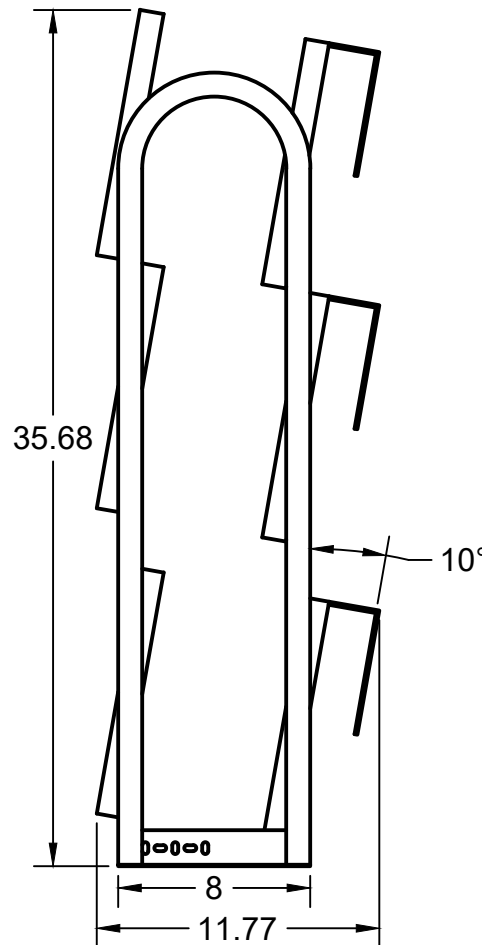
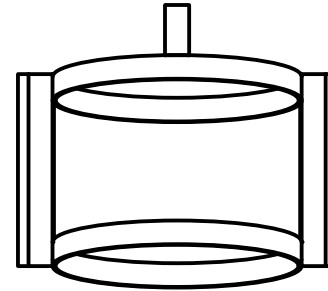
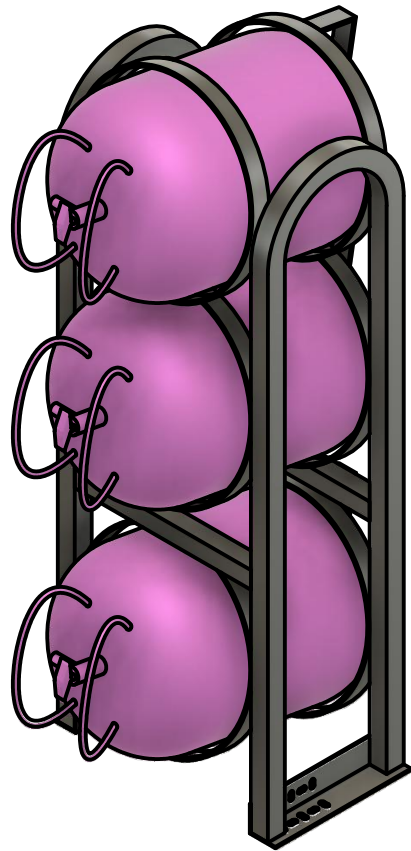
Dimensions in inches

Part Number
004-796 Shorty

PRODUCT DESCRIPTION:
Refrigerant Tank Rack

PRODUCT DATA:
3- 30 lb

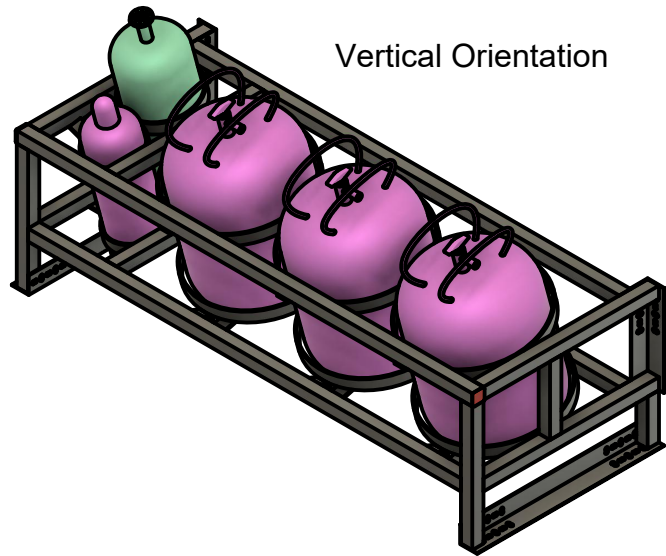
- Welded using 16-gauge G-90 galvanized tube steel
- Rings are made using 12-gauge G-90 galvanized steel
- Weight: 21lbs



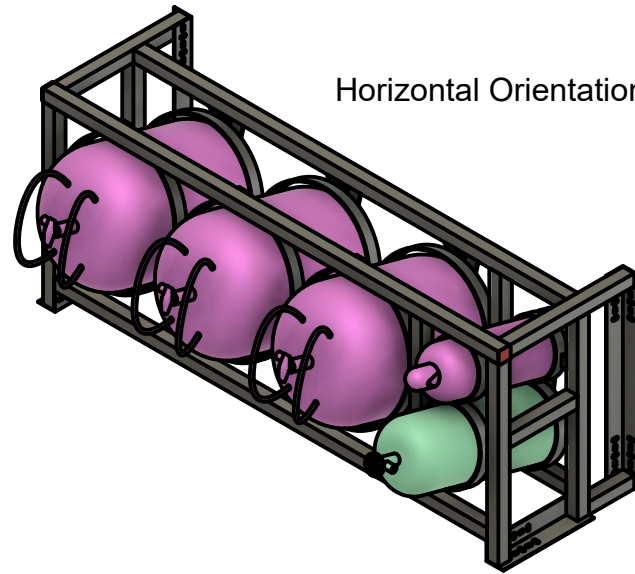
THE METAL SHOP

| | | | |
|-------------------|-----------|-----------|-------|
| APPROVED | SIZE | REV | SHEET |
| CHECKED | A | | 1/1 |
| DRAWN Colton Hunt | 9/18/2019 | SCALE 1:8 | |

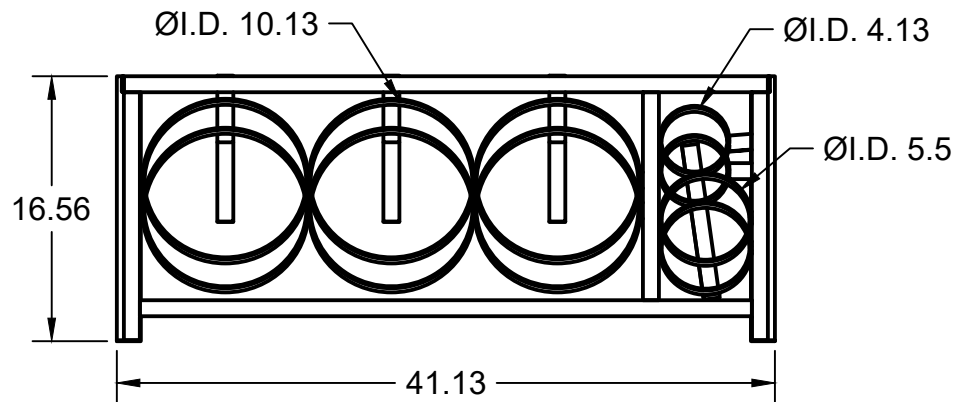
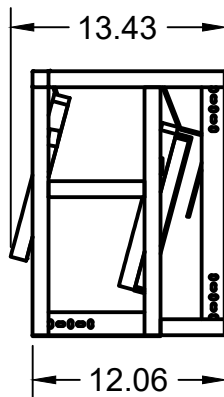
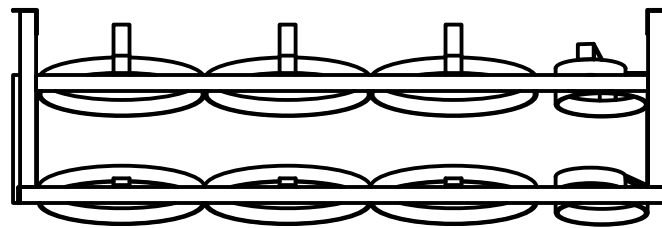
Dimensions in inches



Vertical Orientation



Horizontal Orientation



Part Number
004-797 Lazy Boy

PRODUCT DESCRIPTION:
Refrigerant Tank Rack

PRODUCT DATA:

3- 30 lb
1- MC
1- R-oxy

- Welded using 16-gauge G-90 galvanized tube steel
- Rings are made using 12-gauge G-90 galvanized steel
- Weight: 37lbs

THE METAL SHOP

| | | | |
|-----------------------------|------------|-----|-------|
| APPROVED | SIZE | REV | SHEET |
| CHECKED | A | | 1/1 |
| DRAWN Colton Hunt 9/18/2019 | SCALE 1:12 | | |