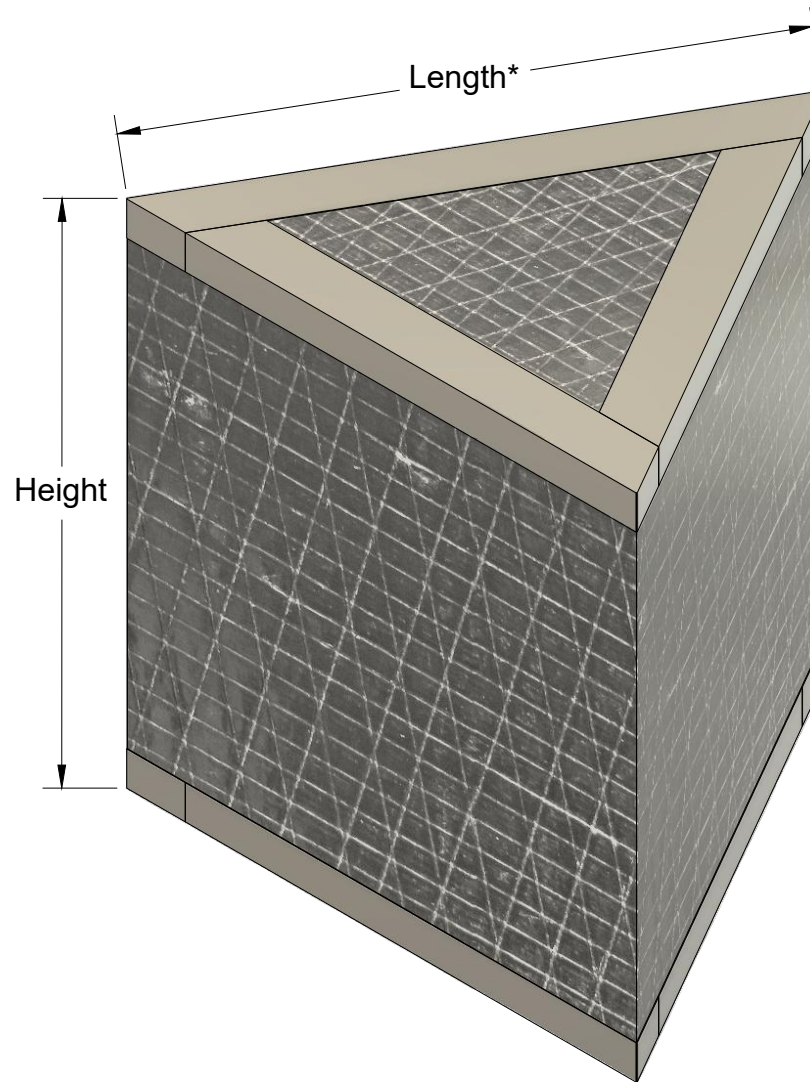


Dimensions in inches



| Part Number | Length | Height | Size |
|-------------|--------|--------|------|
| 500816 | 15 | 12 | SM |
| 500818 | 15 | 15 | MD |
| 500820 | 19 | 18 | LG |
| 500822 | 19 | 24 | XL |

*All triangle lengths are equilateral

Product:
Assembled Triangle

PRODUCT DESCRIPTION:

Used for splitting the duct run in two directions.

PRODUCT DATA:

Standard Features:

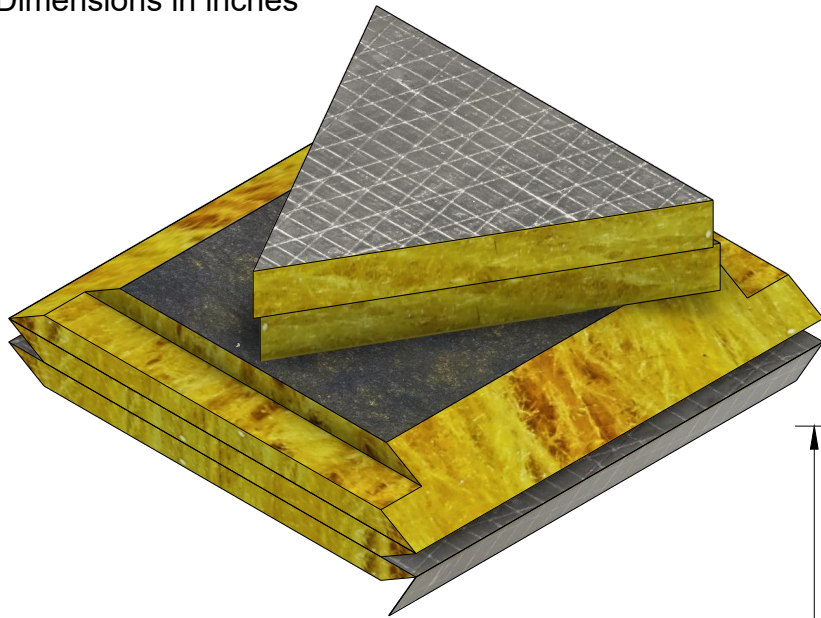
- 1.5" R6 Anti-Microbial Duct Board
- Assembled with UL 181 Foil Tape
- Case Quantity: 6
Only sold in case quantity

THE METAL SHOP

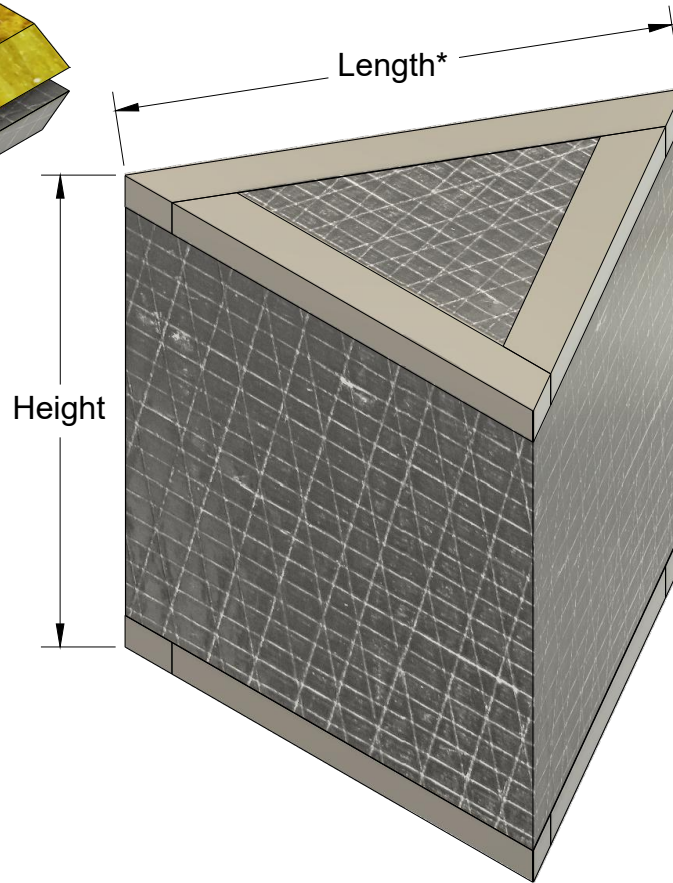
| | | | |
|------------------------------|-----------|-----|-------|
| APPROVED | SIZE | REV | SHEET |
| CHECKED | A | | 1/1 |
| DRAWN Colton Hunt 11/12/2019 | SCALE N/A | | |

Also Available Knocked-Down and Shipped Flat

Dimensions in inches



Product Ships Flat for Easy Storage and Assembly



*All triangle lengths are equilateral

| Part Number | Length | Height | Size | Quantity |
|-------------|--------|--------|------|----------|
| 500817 | 15 | 12 | SM | 18 |
| 500819 | 15 | 15 | MD | 15 |
| 500821 | 19 | 18 | LG | 10 |
| 500823 | 19 | 24 | XL | 8 |

Product:
Unassembled Triangle

PRODUCT DESCRIPTION:

Used for splitting the duct run in two directions.

PRODUCT DATA:

Standard Features:

- 1.5" R6 Anti-Microbial Duct Board
- Easy to Assemble
- Staples, Tape, and Squeegee not included in Kit
- **Only sold in case quantity**

THE METAL SHOP

| | | | |
|------------------------------|-------|-----|-------|
| APPROVED | SIZE | REV | SHEET |
| CHECKED | A | | 1/1 |
| DRAWN Colton Hunt 11/13/2019 | SCALE | N/A | |

Also Available Pre-Assembled