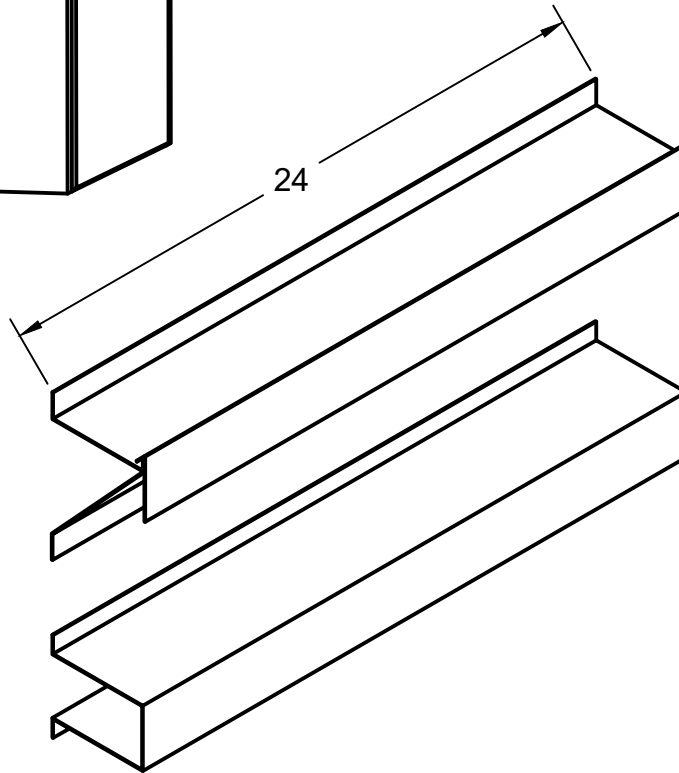
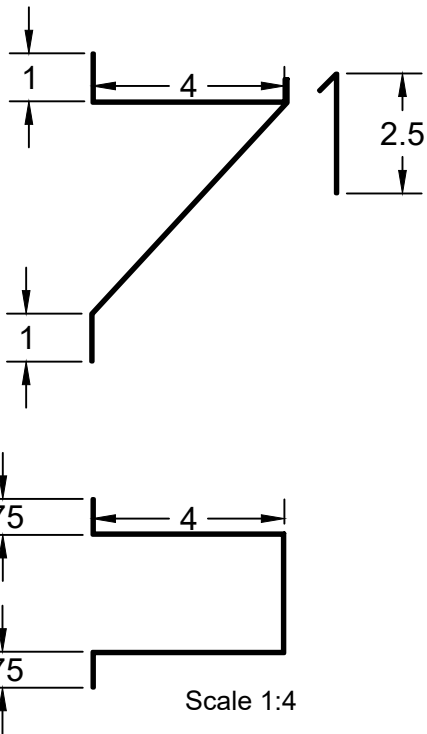
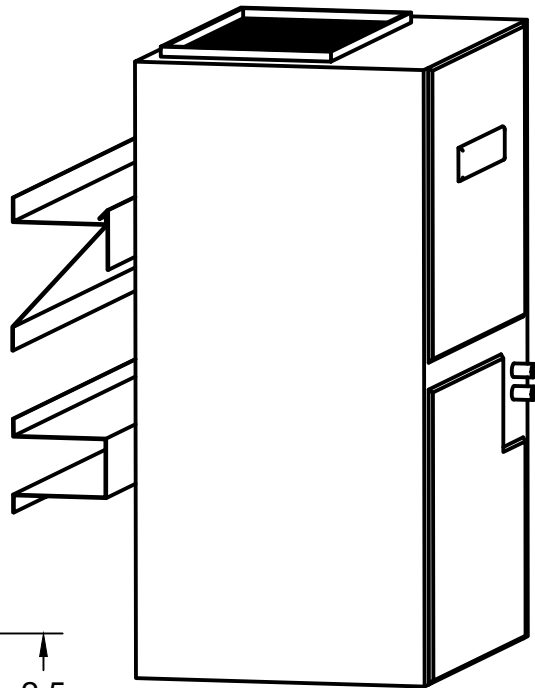


Dimensions in inches



Part Number  
**#001384**

PRODUCT  
DESCRIPTION:  
4" Wall Space Bracket

Suspend your AHU 4" from  
the wall in a closet or garage.

PRODUCT DATA:

Keeps the AHU 4" away from  
the wall

18 Gauge Galv. Steel

Brackets are 24" Long

**THE METAL SHOP**

APPROVED

CHECKED

DRAWN

Colton Hunt

11/18/2019

SIZE

A

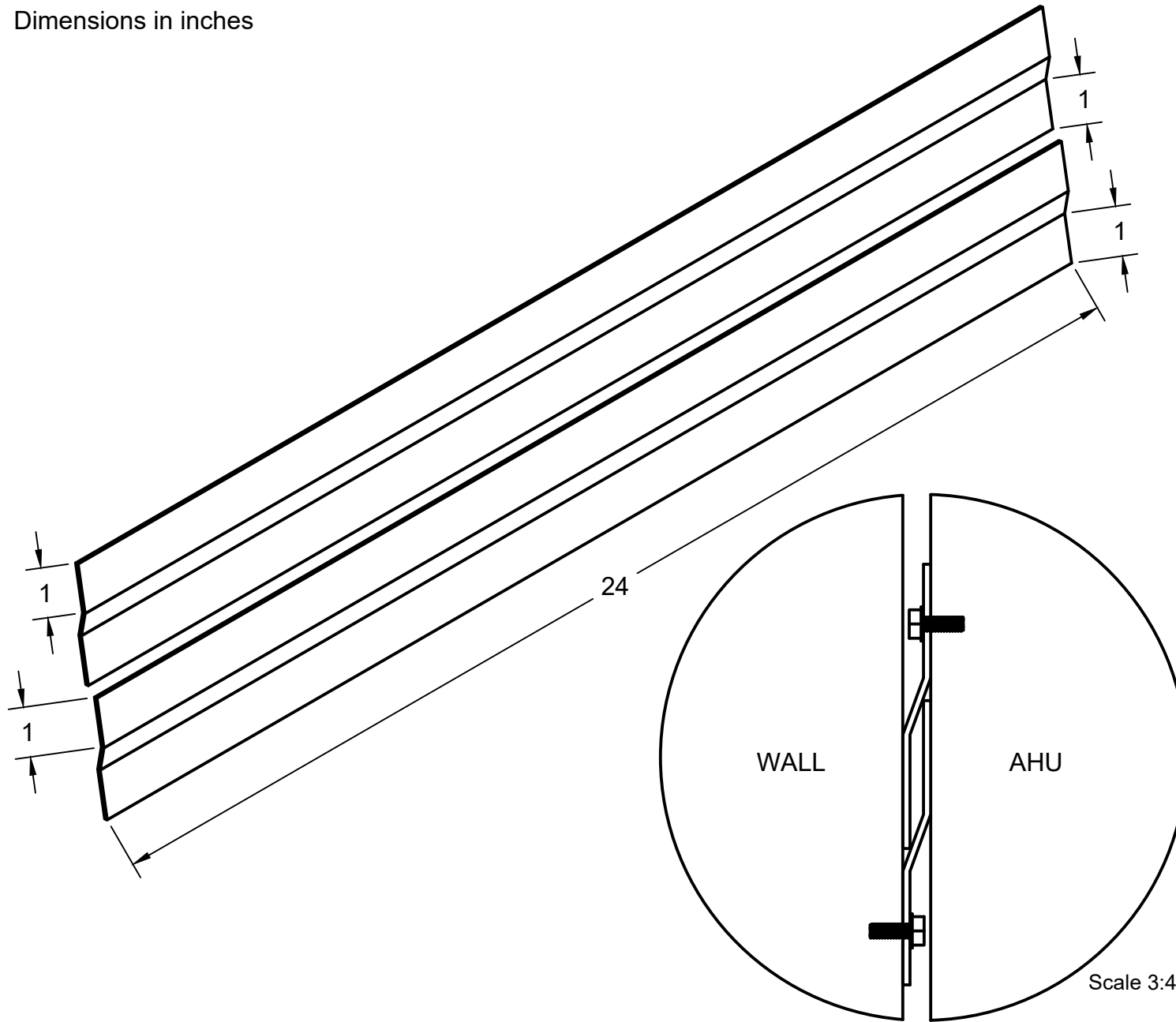
REV

SCALE N/A

SHEET

1/1

Dimensions in inches



Part Number  
**#001380**

PRODUCT  
DESCRIPTION:

Z-Bar Bracket

For flush mount applications  
to suspend your AHU from  
the wall in a closet or garage.

PRODUCT DATA:

18- Gauge Galvanized Steel

24" Brackets

1" Mounting Flanges

**THE METAL SHOP**

APPROVED

CHECKED

DRAWN Colton Hunt 11/18/2019

SIZE

A

REV

SCALE 3:8

SHEET

1/1