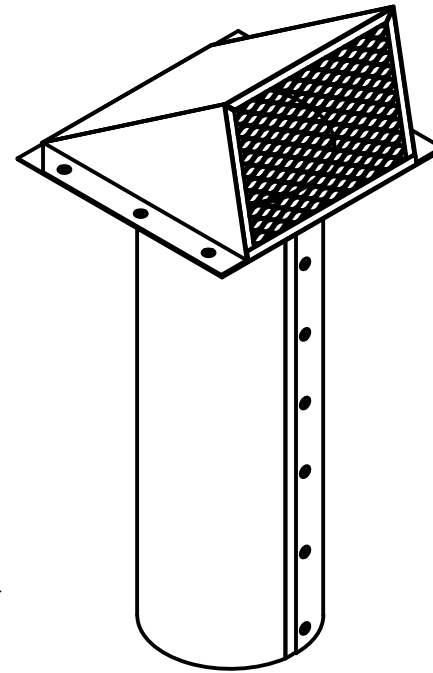
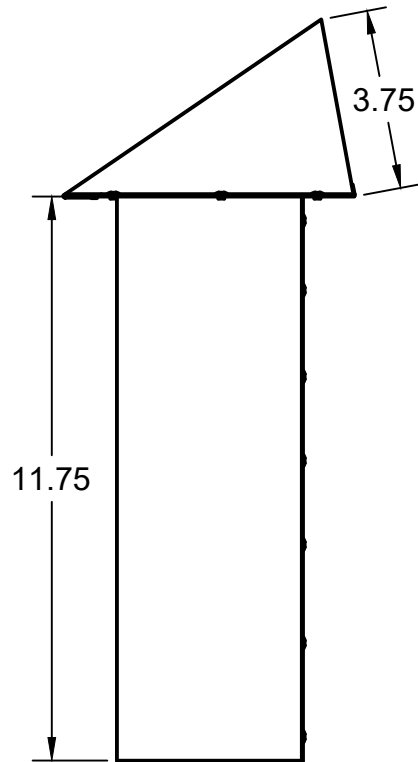
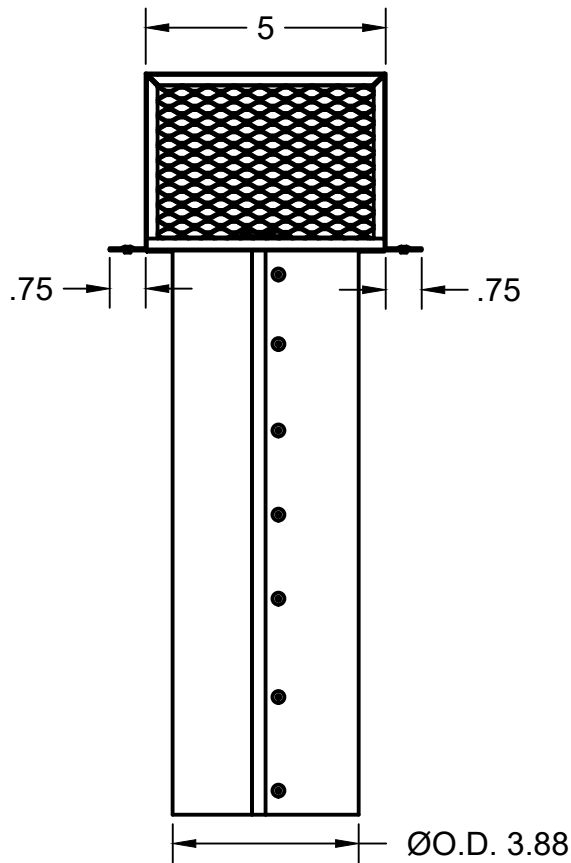
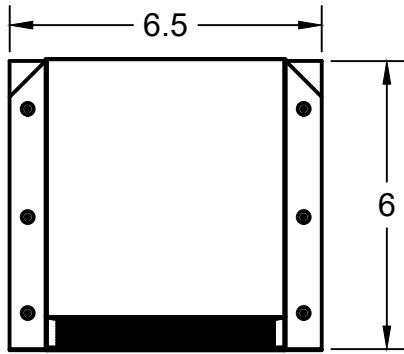


Dimensions in inches



Part Number  
**#006175: GWV-4**

PRODUCT DESCRIPTION:  
 4" Galvanized Wall Vent

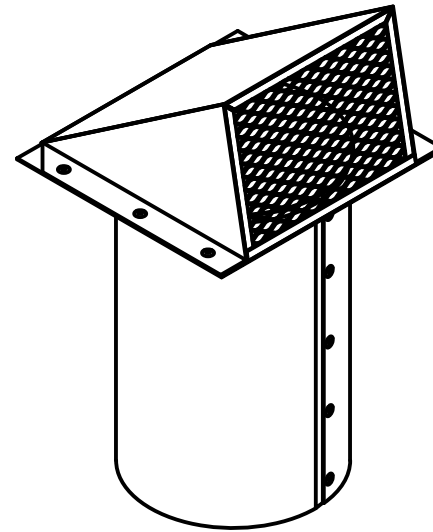
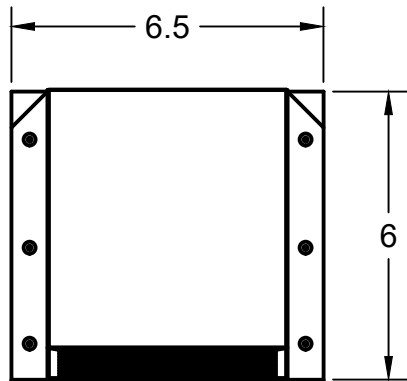
PRODUCT DATA:

- Made from 26-Gauge Galvanized Steel
- 2-Sided  $\frac{3}{4}$ " Flange
- SCREEN & DAMPER are standard
- Case quantity: 24
- **Only sold in case quantities**

**THE METAL SHOP**

APPROVED	SIZE	REV	SHEET
CHECKED	A		1/1
DRAWN Colton Hunt 10/10/2019	SCALE 1:4		

Dimensions in inches

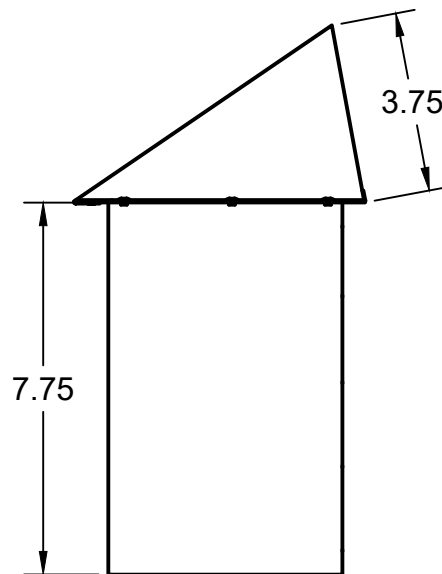
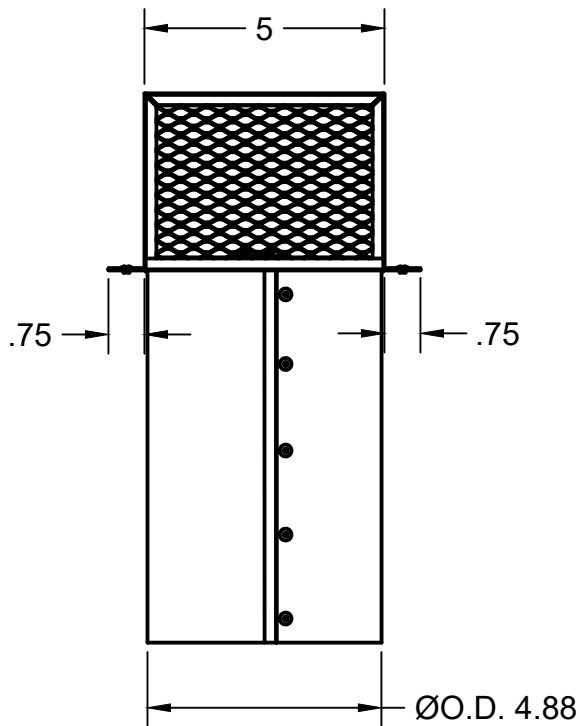


Part Number  
**#006176: GWV-5**

PRODUCT DESCRIPTION:  
 5" Galvanized Wall Vent

PRODUCT DATA:

- Made from 26-Gauge Galvanized Steel
- 2-Sided  $\frac{3}{4}$ " Flange
- SCREEN & DAMPER are standard
- Case quantity: 12
- **Only sold in case quantities**

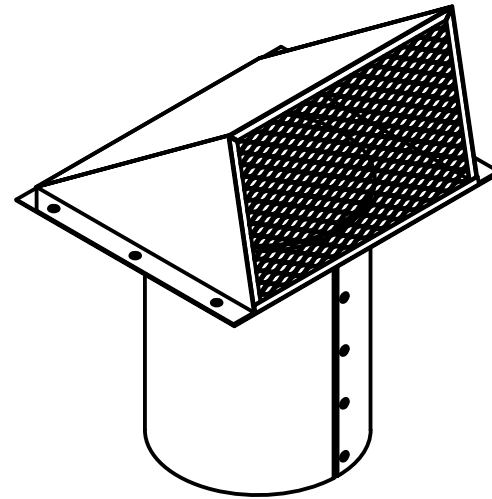
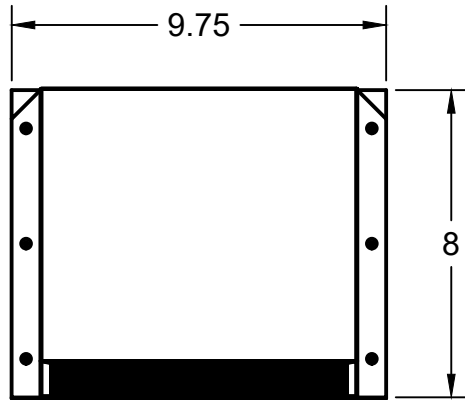


**THE METAL SHOP**

APPROVED	SIZE	REV	SHEET
CHECKED	A		1/1
DRAWN Colton Hunt 10/11/2019	SCALE 1:4		

APPROVED	SIZE	REV	SHEET
CHECKED	A		1/1
DRAWN Colton Hunt 10/11/2019	SCALE 1:4		

Dimensions in inches



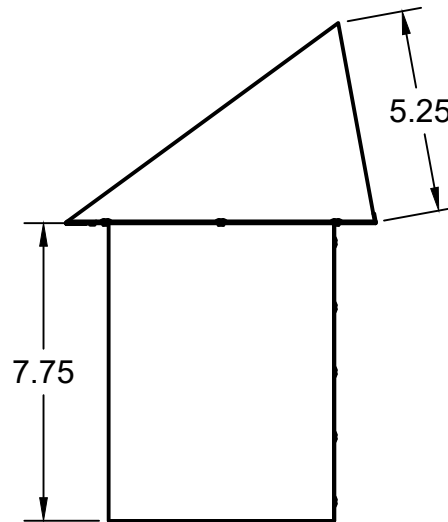
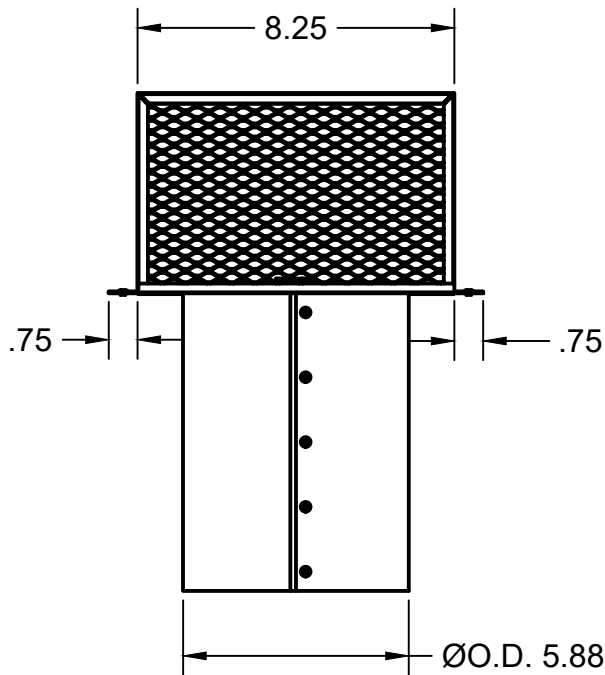
Part Number  
**#006177: GWV-6**

PRODUCT DESCRIPTION:

6" Galvanized Wall Vent

PRODUCT DATA:

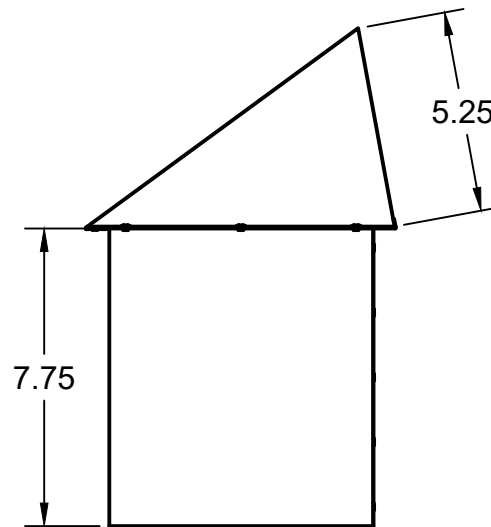
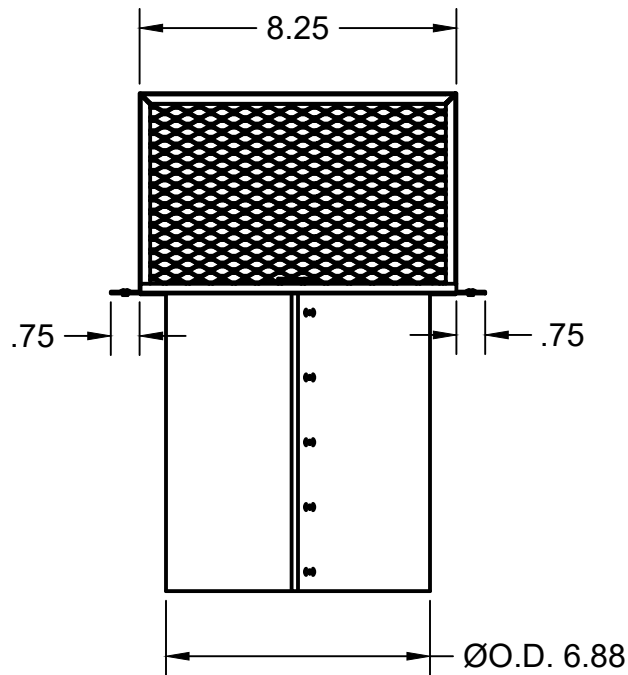
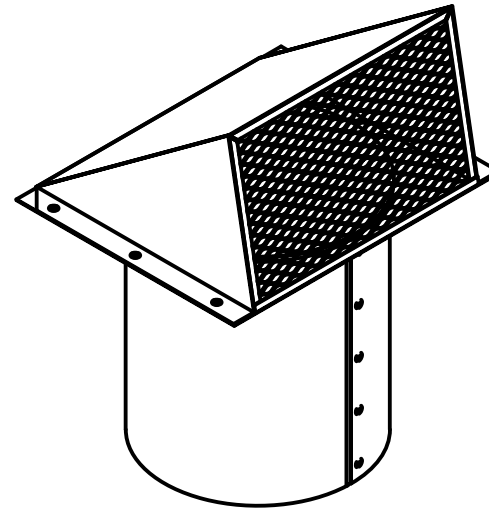
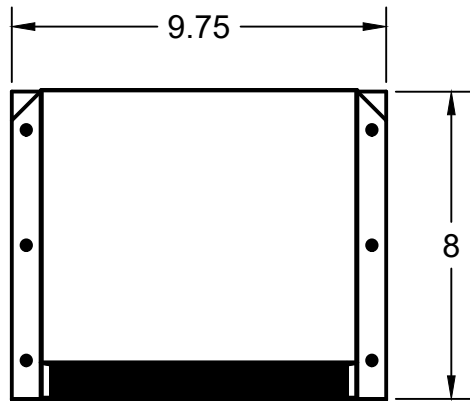
- Made from 26-Gauge Galvanized Steel
- 2-Sided  $\frac{3}{4}$ " Flange
- SCREEN & DAMPER are standard
- Case quantity: 12
- **Only sold in case quantities**



**THE METAL SHOP**

APPROVED	SIZE	REV	SHEET
CHECKED	A		1/1
DRAWN Colton Hunt 10/10/2019	SCALE 1:5		

Dimensions in inches



Part Number  
**#006178: GWV-7**

PRODUCT DESCRIPTION:  
 7" Galvanized Wall Vent

PRODUCT DATA:

- Made from 26-Gauge Galvanized Steel
- 2-Sided  $\frac{3}{4}$ " Flange
- SCREEN & DAMPER are standard
- Case quantity: 12
- **Only sold in case quantities**

**THE METAL SHOP**

APPROVED	SIZE	REV	SHEET
CHECKED	A		1/1
DRAWN Colton Hunt 10/11/2019	SCALE 1:5		

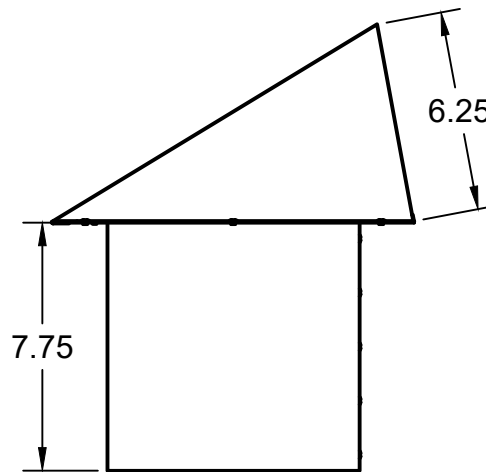
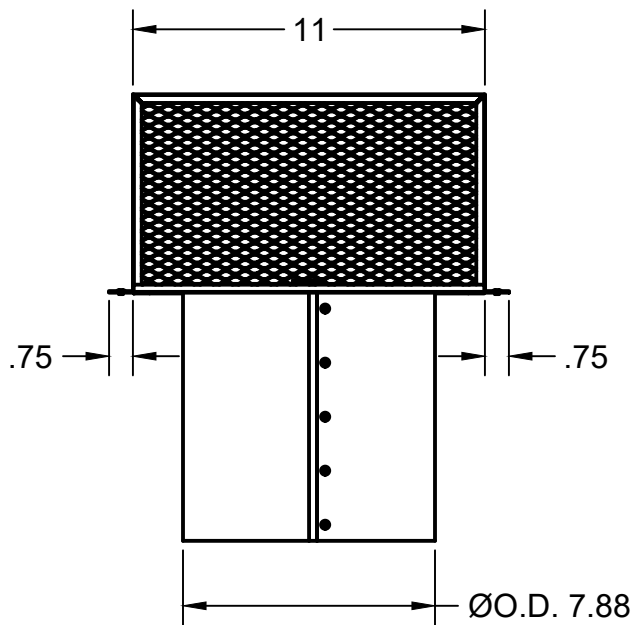
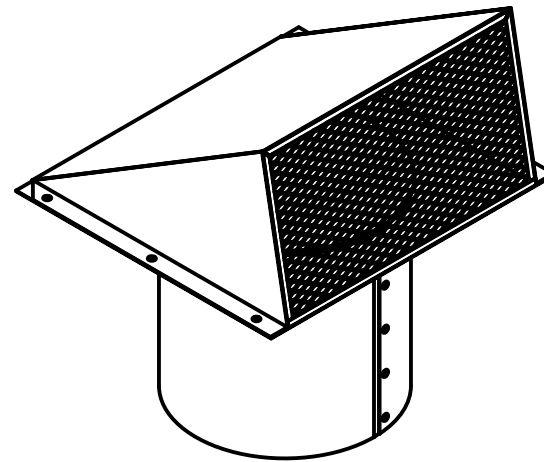
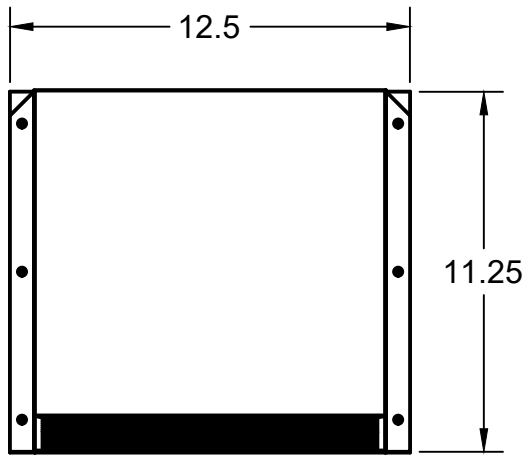
Dimensions in inches

Part Number  
**#006179: GWV-8**

PRODUCT DESCRIPTION:  
 8" Galvanized Wall Vent

PRODUCT DATA:

- Made from 26-Gauge Galvanized Steel
- 2-Sided  $\frac{3}{4}$ " Flange
- SCREEN & DAMPER are standard
- Case quantity: 6
- **Only sold in case quantities**

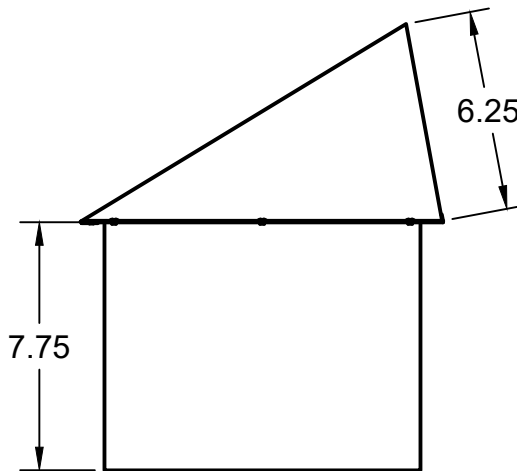
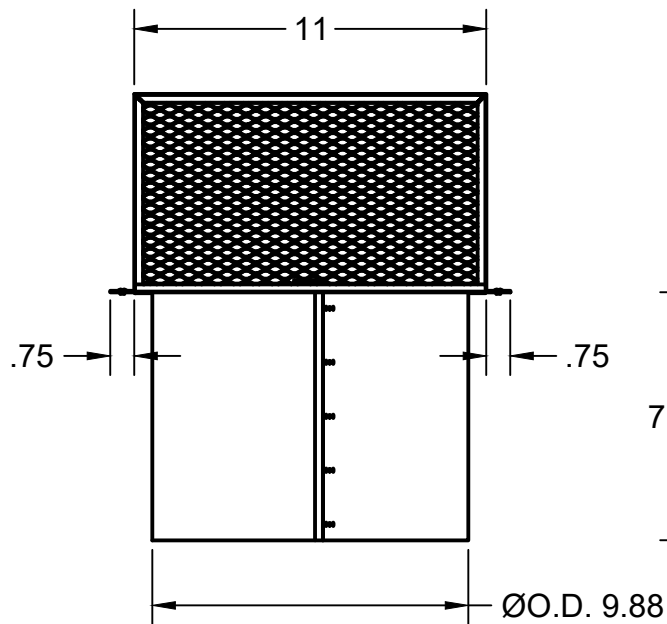
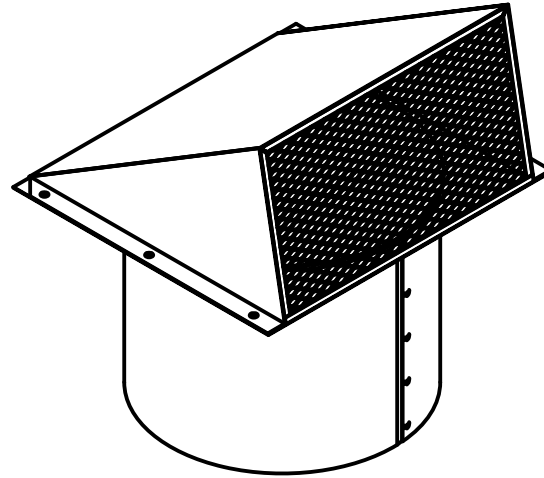
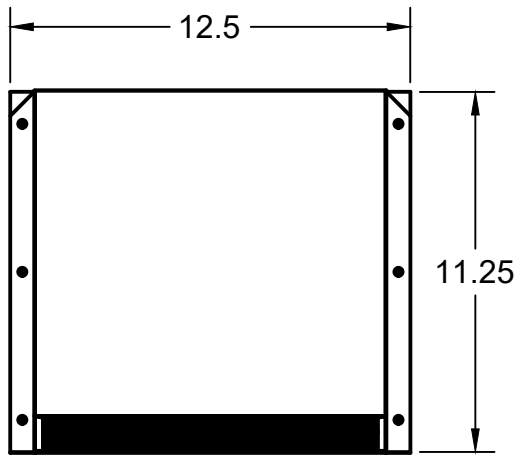


**THE METAL SHOP**

APPROVED	SIZE	REV	SHEET
CHECKED	A		1/1
DRAWN Colton Hunt 10/10/2019	SCALE 1:6		

APPROVED	SIZE	REV	SHEET
CHECKED	A		1/1
DRAWN Colton Hunt 10/10/2019	SCALE 1:6		

Dimensions in inches



Part Number  
**#006180: GWV-10**

PRODUCT DESCRIPTION:

10" Galvanized Wall Vent

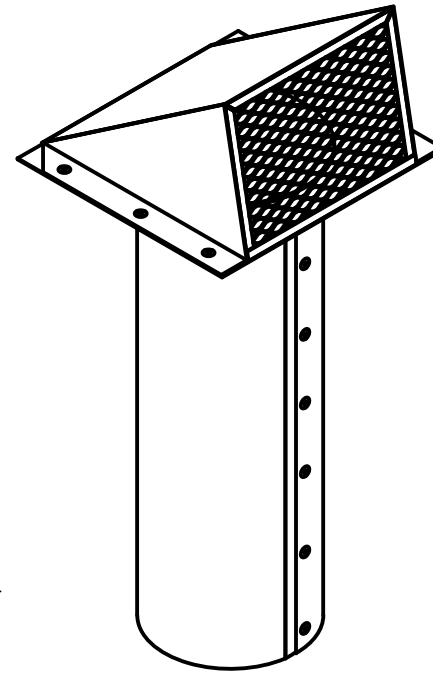
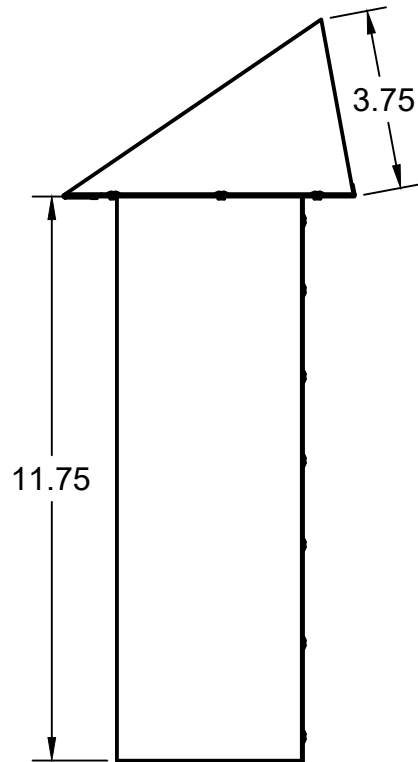
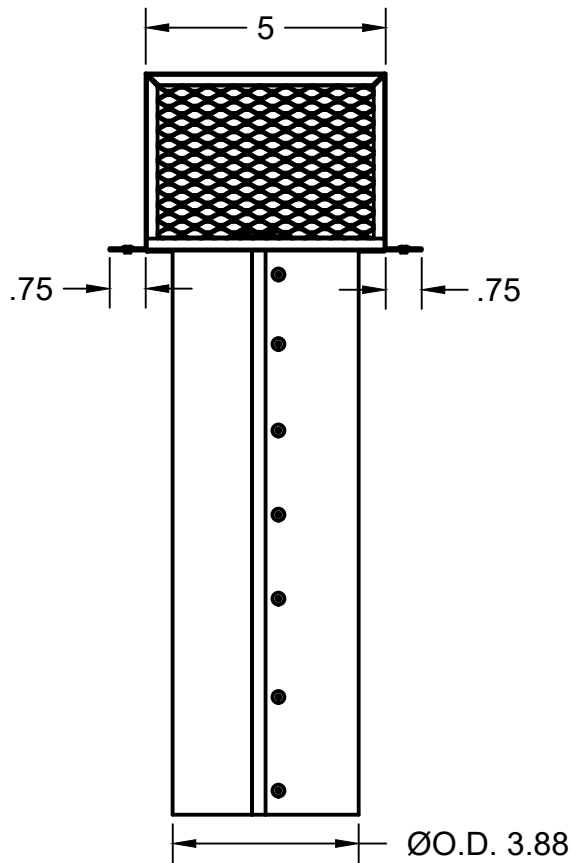
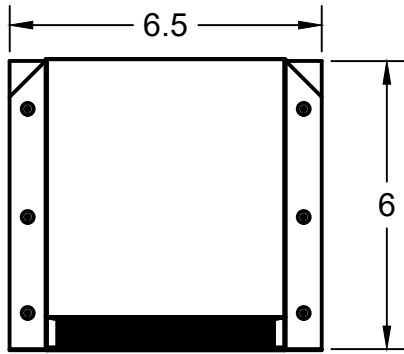
PRODUCT DATA:

- Made from 26-Gauge Galvanized Steel
- 2-Sided  $\frac{3}{4}$ " Flange
- SCREEN & DAMPER are standard
- Case quantity: 4
- **Only sold in case quantities**

**THE METAL SHOP**

APPROVED	SIZE	REV	SHEET
CHECKED	A		1/1
DRAWN Colton Hunt 10/11/2019	SCALE 1:6		

Dimensions in inches



Part Number  
**#006184: AWW-4**

PRODUCT DESCRIPTION:  
 4" Aluminum Wall Vent

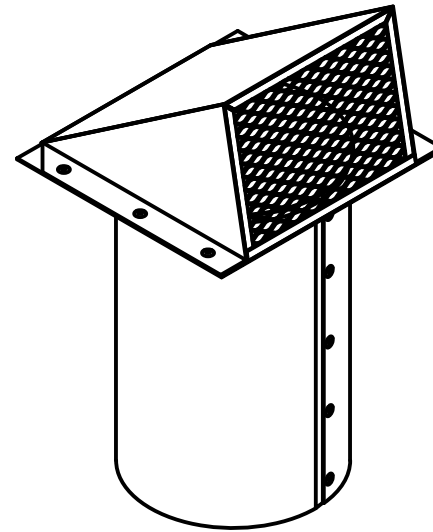
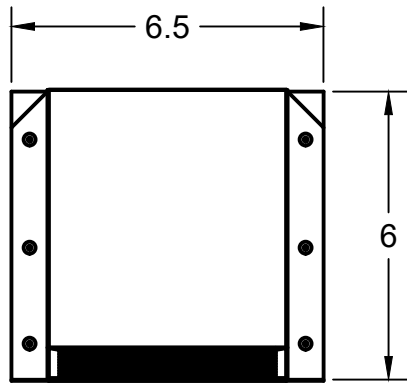
PRODUCT DATA:

- Made from .025" Aluminum
- 2-Sided  $\frac{3}{4}$ " Flange
- SCREEN & DAMPER are standard
- Case quantity: 24
- **Only sold in case quantities**

**THE METAL SHOP**

APPROVED	SIZE	REV	SHEET
CHECKED	A		1/1
DRAWN Colton Hunt 10/10/2019	SCALE 1:4		

Dimensions in inches

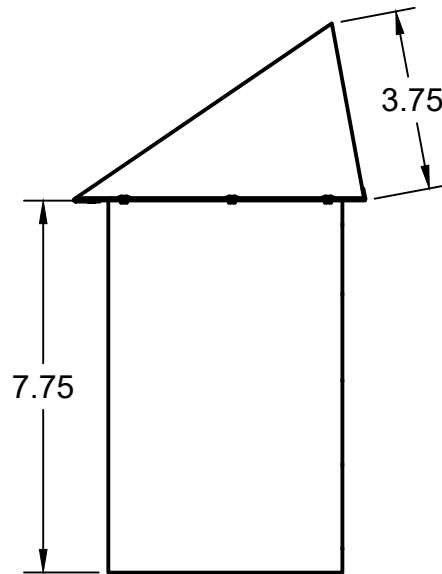
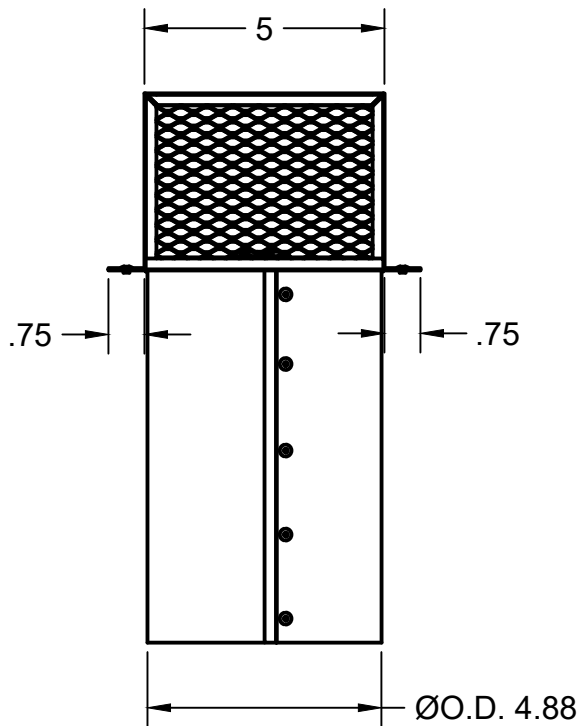


Part Number  
**#006185: AWW-5**

PRODUCT DESCRIPTION:  
 5" Aluminum Wall Vent

PRODUCT DATA:

- Made from .025" Aluminum
- 2-Sided  $\frac{3}{4}$ " Flange
- SCREEN & DAMPER are standard
- Case quantity: 12
- **Only sold in case quantities**

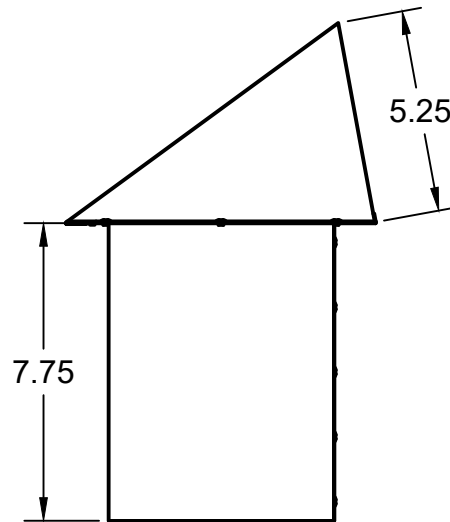
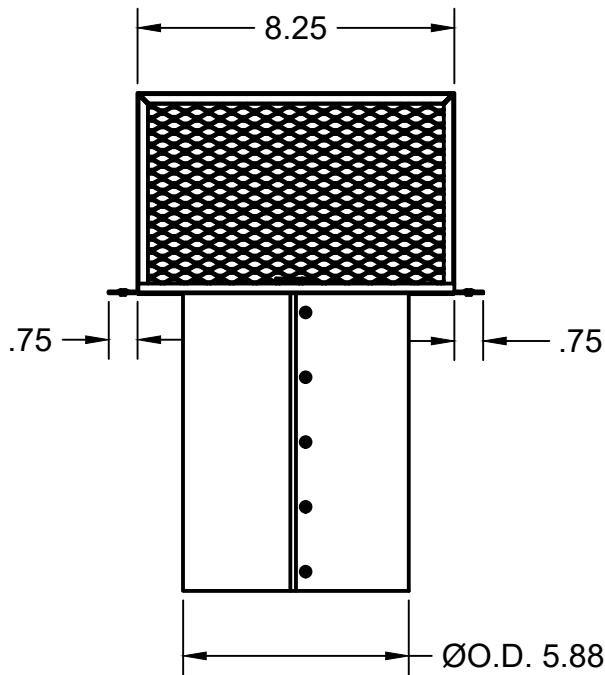
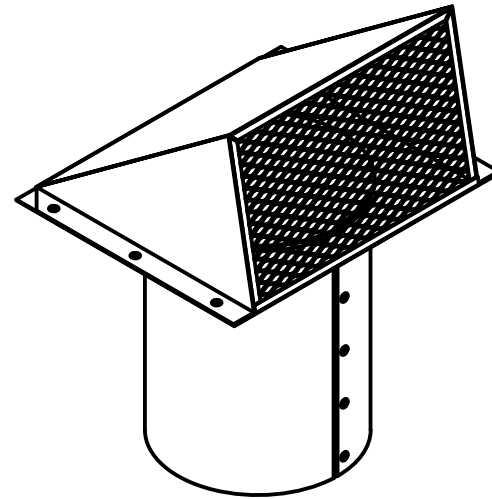
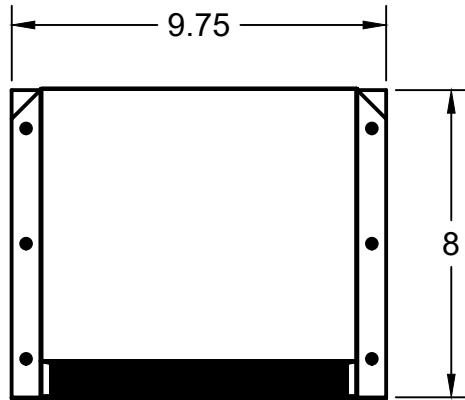


**THE METAL SHOP**

APPROVED	SIZE	REV	SHEET
CHECKED	A		1/1
DRAWN Colton Hunt 10/11/2019	SCALE 1:4		



Dimensions in inches



Part Number  
**#006186: AWW-6**

PRODUCT DESCRIPTION:

6" Aluminum Wall Vent

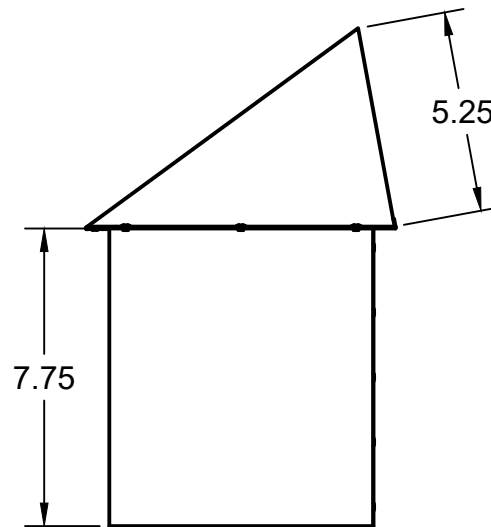
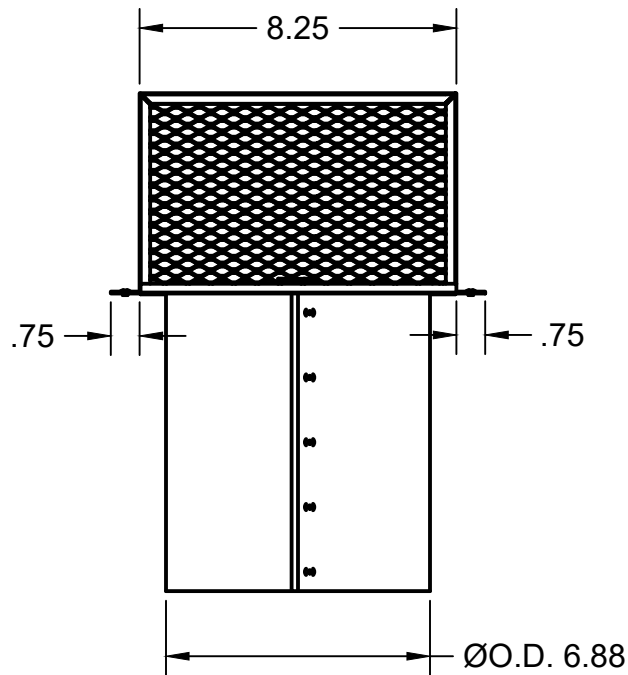
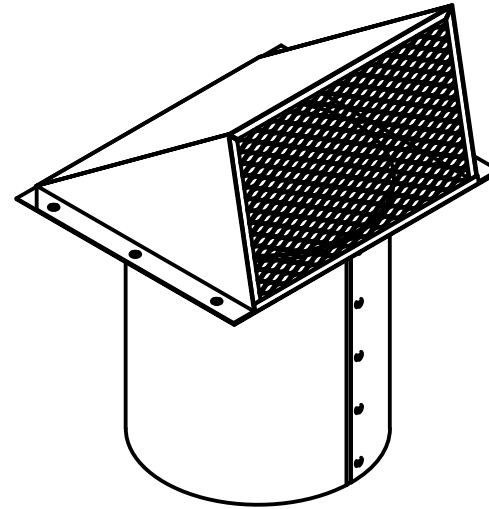
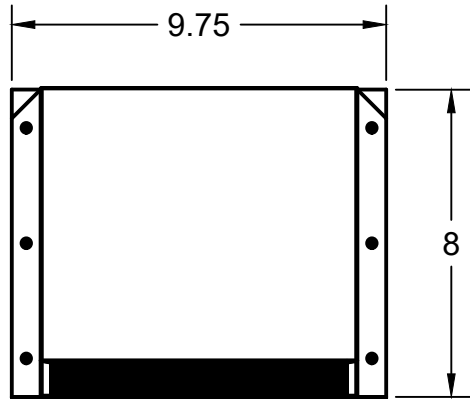
PRODUCT DATA:

- Made from .025" Aluminum
- 2-Sided  $\frac{3}{4}$ " Flange
- SCREEN & DAMPER are standard
- Case quantity: 12
- **Only sold in case quantities**

**THE METAL SHOP**

APPROVED	SIZE	REV	SHEET
CHECKED	A		1/1
DRAWN Colton Hunt 10/10/2019	SCALE 1:5		

Dimensions in inches



Part Number  
**#006187: AWW-7**

PRODUCT DESCRIPTION:  
 7" Aluminum Wall Vent

PRODUCT DATA:

- Made from .025" Aluminum
- 2-Sided  $\frac{3}{4}$ " Flange
- SCREEN & DAMPER are standard
- Case quantity: 12
- **Only sold in case quantities**

**THE METAL SHOP**

APPROVED	SIZE	REV	SHEET
CHECKED	A		1/1
DRAWN Colton Hunt 10/11/2019	SCALE 1:5		

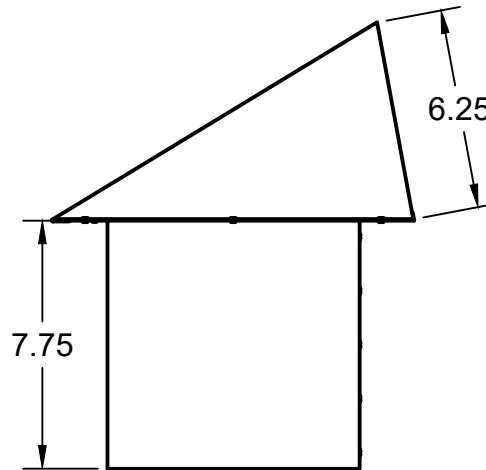
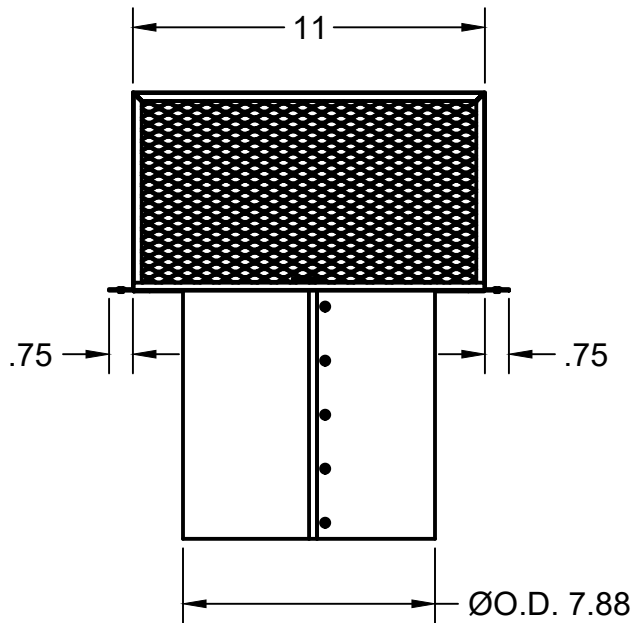
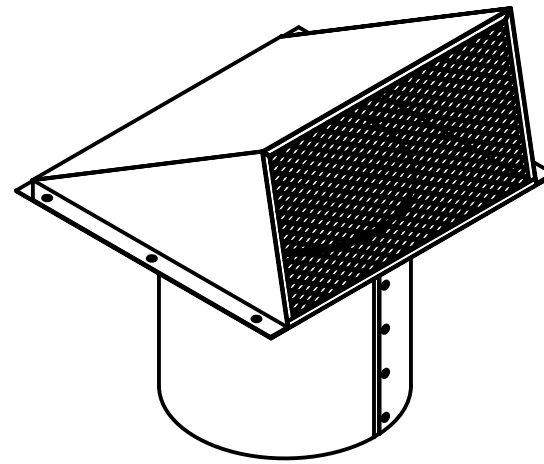
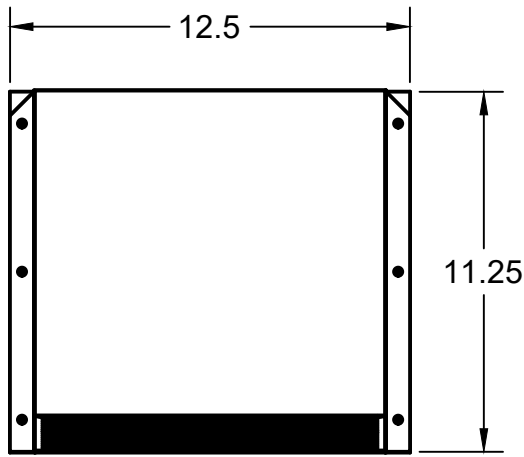
Dimensions in inches

Part Number  
**#006188: AWW-8**

PRODUCT DESCRIPTION:  
 8" Aluminum Wall Vent

PRODUCT DATA:

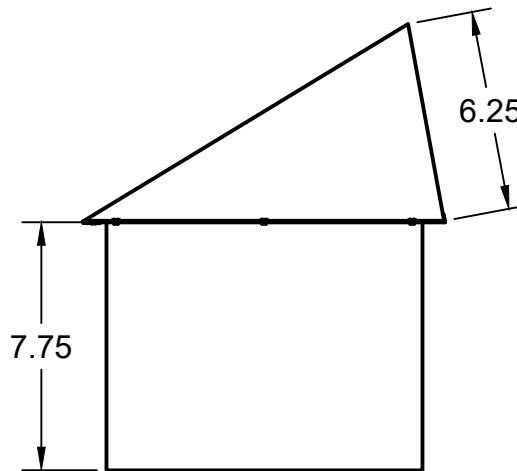
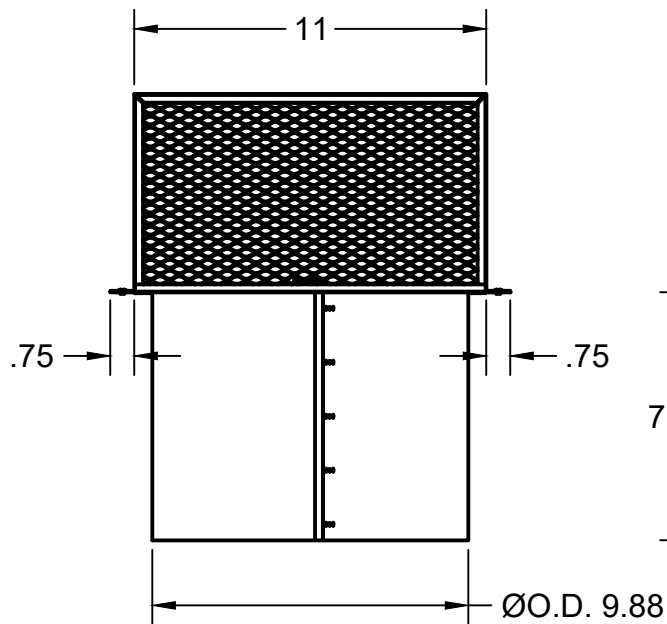
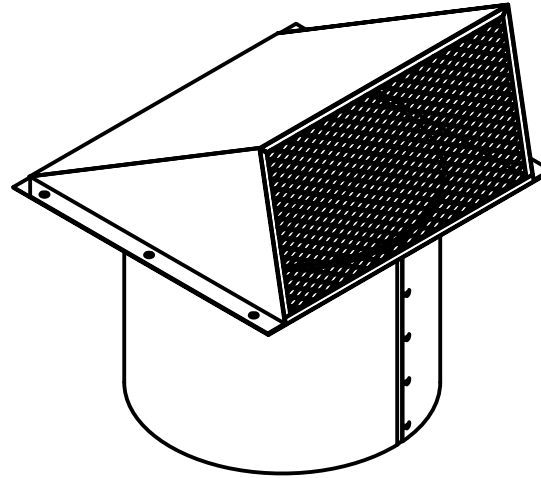
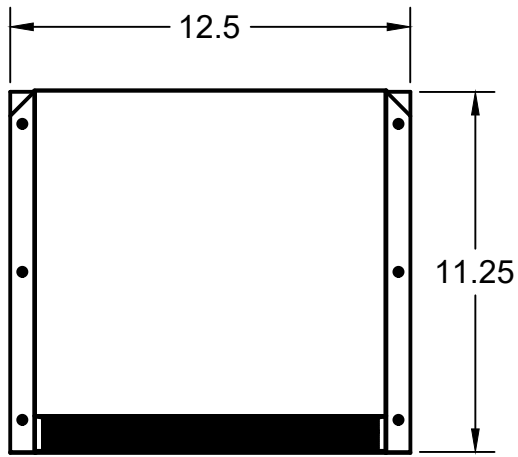
- Made from .025" Aluminum
- 2-Sided  $\frac{3}{4}$ " Flange
- SCREEN & DAMPER are standard
- Case quantity: 6
- **Only sold in case quantities**



**THE METAL SHOP**

APPROVED	SIZE	REV	SHEET
CHECKED	A		1/1
DRAWN Colton Hunt 10/10/2019	SCALE 1:6		

Dimensions in inches



Part Number  
**#006189: AWW-10**

PRODUCT DESCRIPTION:

10" Aluminum Wall Vent

PRODUCT DATA:

- Made from .025" Aluminum
- 2-Sided  $\frac{3}{4}$ " Flange
- SCREEN & DAMPER are standard
- Case quantity: 4
- **Only sold in case quantities**

**THE METAL SHOP**

APPROVED	SIZE	REV	SHEET
CHECKED	A		1/1
DRAWN Colton Hunt 10/11/2019	SCALE 1:6		