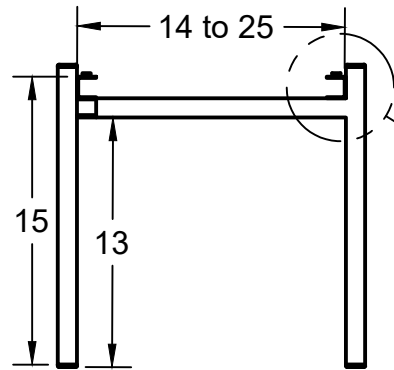
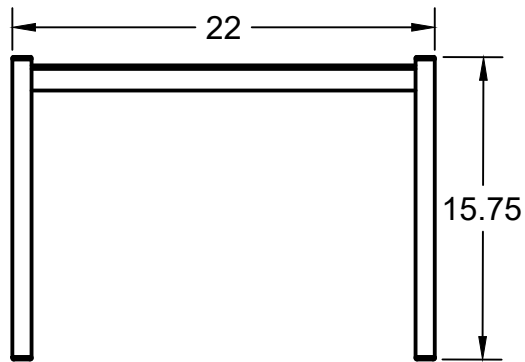


Dimensions in inches

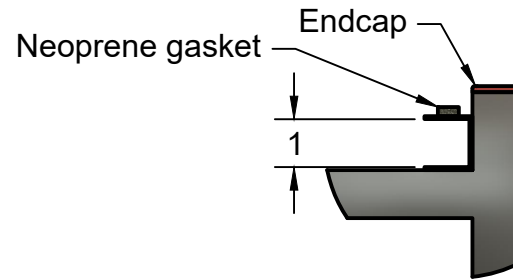
Part Number
004370

Side View

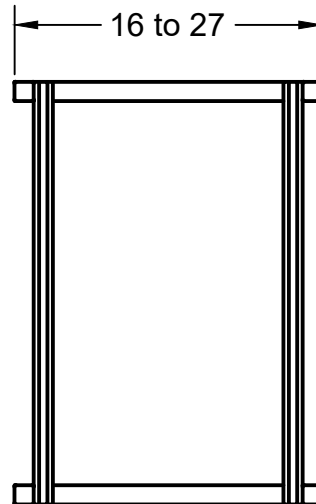
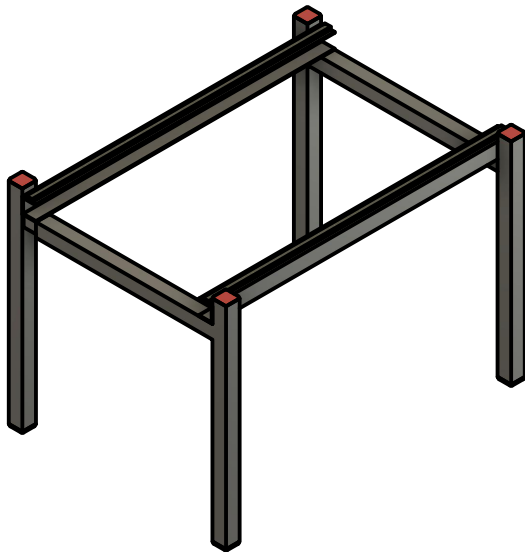


A

Front View



DETAIL A
SCALE 1:4



Top View

PRODUCT DESCRIPTION:

Adjustable Air Handler Stand

PRODUCT DATA:

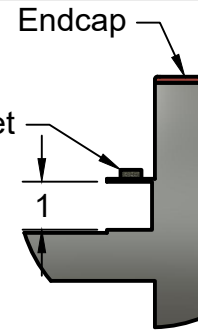
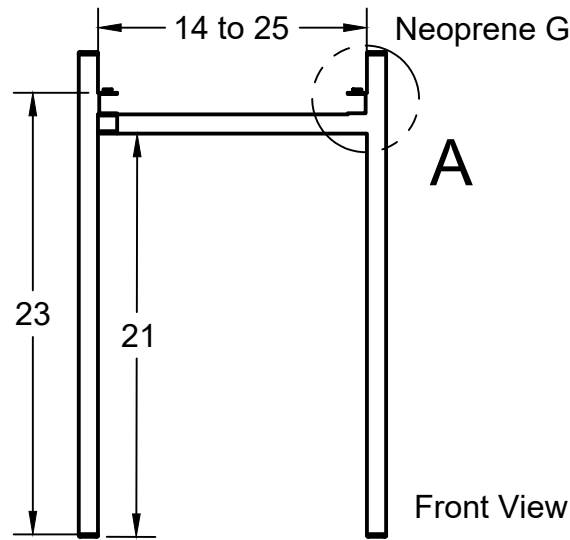
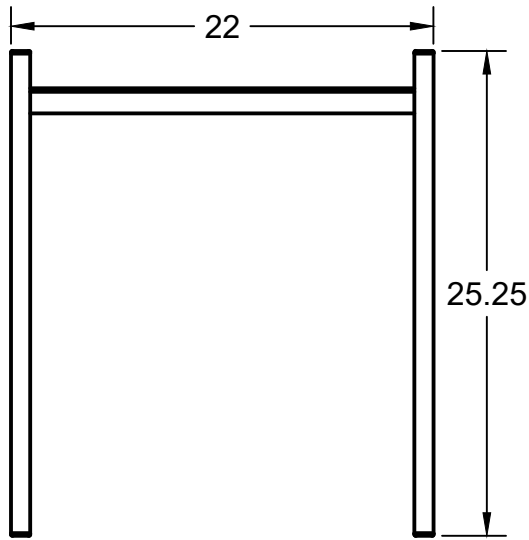
- 16 Gauge Galvanized Steel
- Fully Welded
- 1" Filter Channel
- Neoprene Gasket
- Holds up to 400 pounds

THE METAL SHOP

APPROVED	SIZE	REV	SHEET
CHECKED	A		1/1
DRAWN Colton Hunt 9/10/2019	SCALE 1:10		

Dimensions in inches

Side View



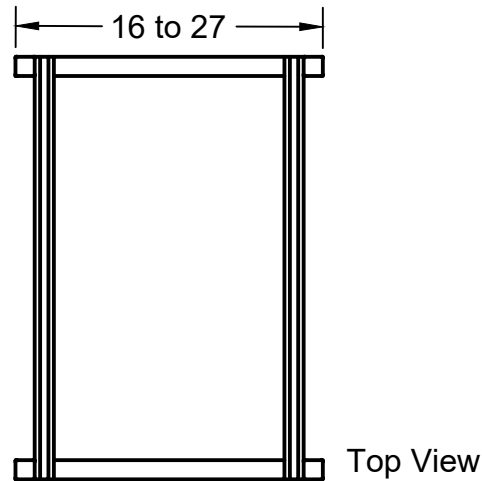
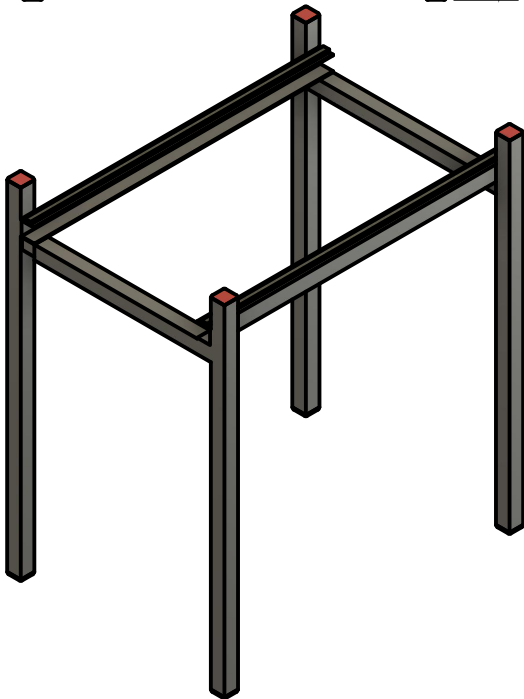
DETAIL A
SCALE 1:4

Part Number
004024

PRODUCT DESCRIPTION:
Adjustable Air Handler Stand

PRODUCT DATA:

- 16 Gauge Galvanized Steel
- Fully Welded
- 1" Filter Channel
- Neoprene Gasket
- Holds up to 400 pounds



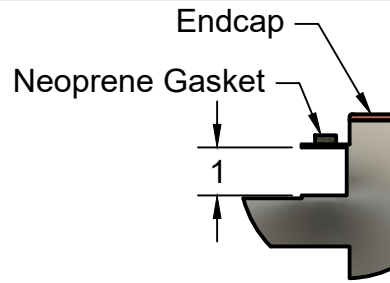
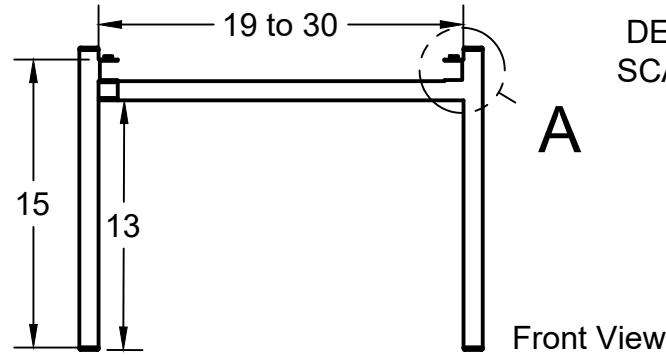
Top View

THE METAL SHOP

APPROVED	SIZE	REV	SHEET
CHECKED	A		1/1
DRAWN Colton Hunt 9/10/2019	SCALE 1:10		

Dimensions in inches

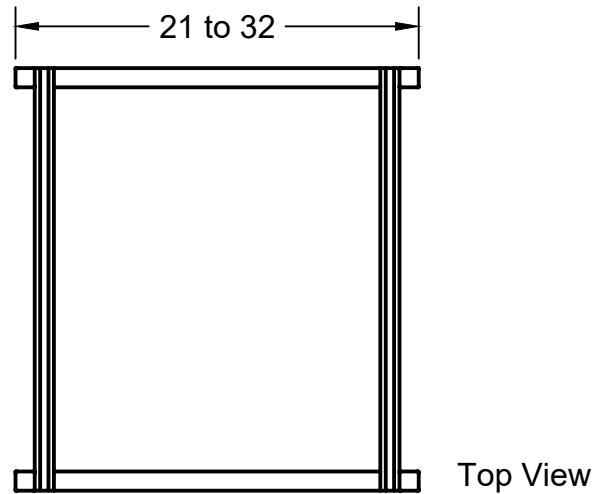
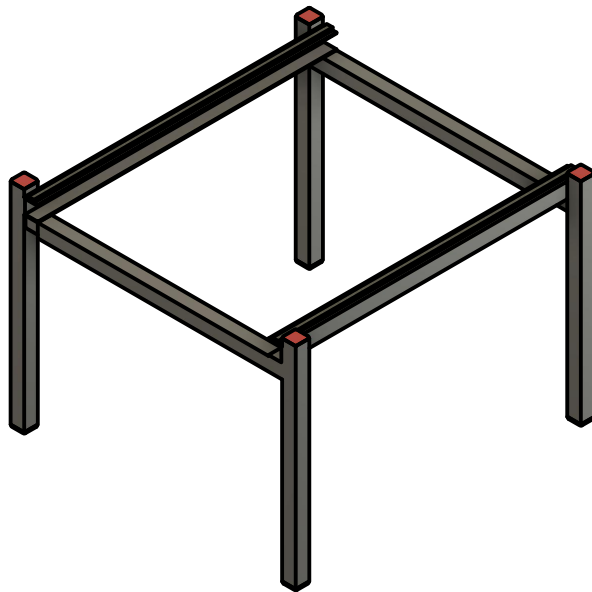
Side View



DETAIL A
SCALE 1:4

A

Front View



Top View

Part Number
004030

PRODUCT DESCRIPTION:

Adjustable Air Handler Stand

PRODUCT DATA:

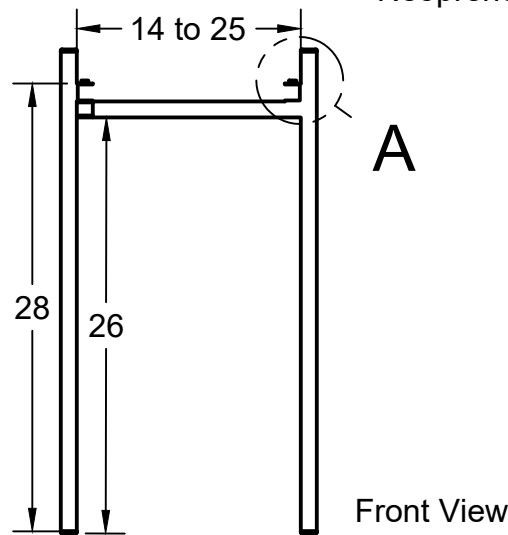
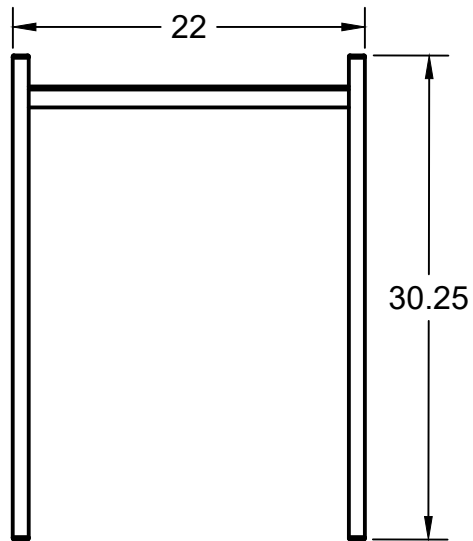
- 16 Gauge Galvanized Steel
- Fully Welded
- 1" Filter Channel
- Neoprene Gasket
- Holds up to 400 pounds

THE METAL SHOP

APPROVED	SIZE	REV	SHEET
CHECKED	A		1/1
DRAWN Colton Hunt 9/10/2019	SCALE 1:10		

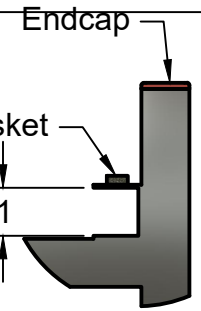
Dimensions in inches

Side View

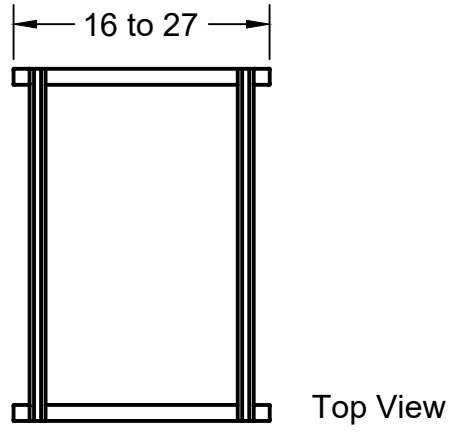
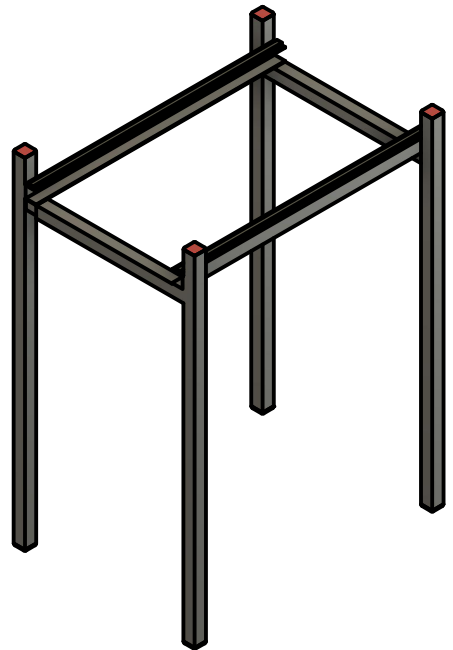


A

Front View



DETAIL A
SCALE 1:4



Top View

Part Number
004031

PRODUCT DESCRIPTION:
Adjustable Air Handler Stand

- PRODUCT DATA:
- 16 Gauge Galvanized Steel
 - Fully Welded
 - 1" Filter Channel
 - Neoprene Gasket
 - Holds up to 400 pounds

THE METAL SHOP

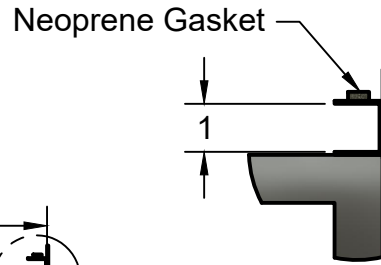
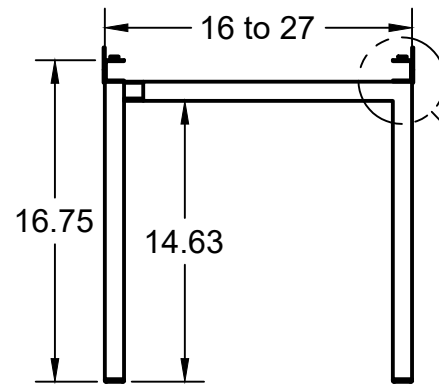
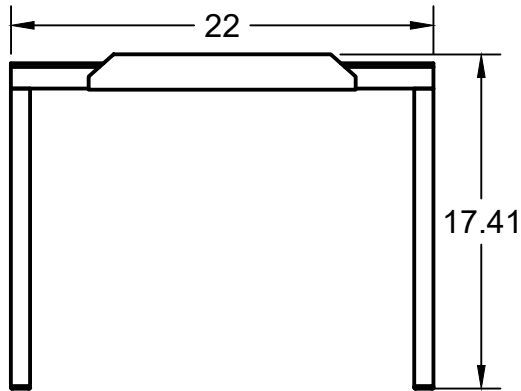
APPROVED	SIZE	REV	SHEET
CHECKED	A		1/1
DRAWN Colton Hunt 9/10/2019	SCALE 1:12		

Dimensions in inches

Part Number

004040

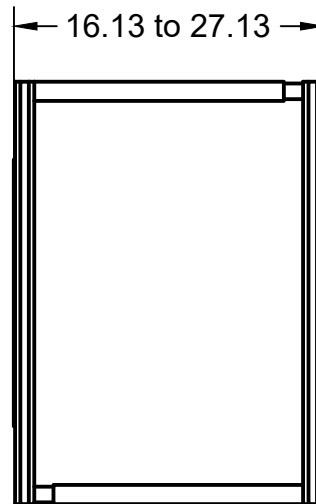
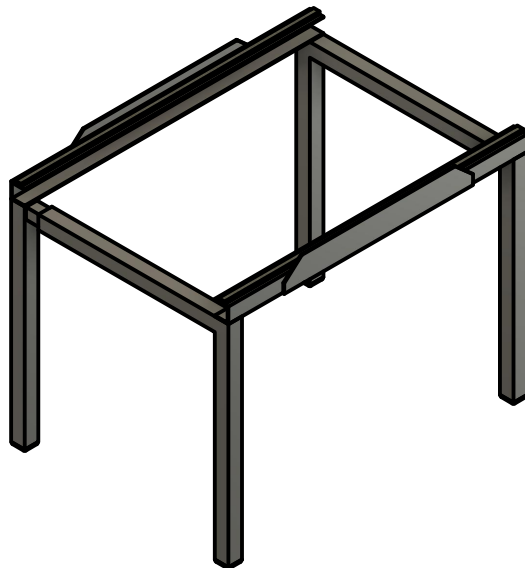
Side View



DETAIL A
SCALE 1:4

A

Front View



Top View

PRODUCT DESCRIPTION:

Adjustable SlimSide Air Handler Stand

PRODUCT DATA:

- 16 Gauge Galvanized Steel
- Fully Welded
- 1" Filter Channel
- Neoprene Gasket
- Holds up to 400 pounds

THE METAL SHOP

APPROVED

CHECKED

DRAWN Colton Hunt 9/10/2019

SIZE

A

REV

SHEET

1/1

SCALE 1:10