



**ACTIVALL™**  
dynamic standing frame

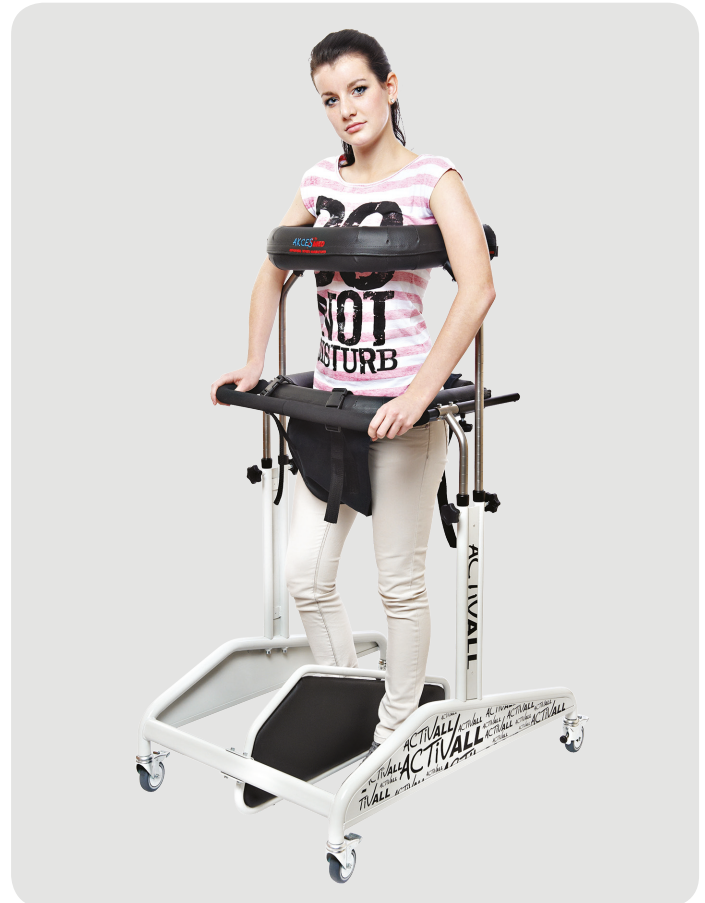


As far as this standing frame is concerned, it is highly beneficial to the process of daily rehabilitation which takes place either in hospitals or patient's home. This device allows full upright standing thanks to the use of the lower limbs stabilizer. Moreover, it enables the patient to move independently and lower limbs separator prevents from crossing of the legs.

Daily work with **Activall™** brings many benefits. Children are able to take first steps and adults can either keep or regain fitness.

Both light and stable frame is helpful in independent relocation. The correct adjustment of supports makes the patient feel secure as well as comfortable during performing activities.

Furthermore, this product may be used by patients in different age groups due to a vast array of sizes. This device plays a significant role because of the fact that patient has the possibility of gaining new experience and, more to the point, being



Possibility of installation of the lower limbs stabilizer. (Static mode)



Possibility of installation of the lower limbs separator. (Dynamic mode)



## IT IS RECOMMENDED IN THE FOLLOWING CASES:

- Cerebral palsy – various types and forms.
- Brain and spinal cord injuries with lower limbs paralysis and weakness, balance and motor coordination disorders with different etiology.
- Demyelinating disease (e.g. multiple sclerosis – SM).
- Meningocele.
- Muscles diseases with weakness and paralysis (dystrophy, myasthenia gravis, myositis).
- Genetic disorders.
- Degeneration and neurological diseases.
- Other condition connected with muscles weakness, paralysis and musculoskeletal disorders.
- After head and spinal cord injuries and spine trauma with paralysis and paresis.

## STANDARD EQUIPMENT:

Frame with castors equipped with brakes | (2 back castors with friction brake) | Lower limbs separator | Adjustable pelvic support | Pelvic harness | Hand grip | Adjustable chest support

*Our passion – your independence!*

Colors may differ from the presented images. The manufacturer reserves the right to make changes in products without updating the directory. Current offer on our website.

Akces-MED sp. z o.o.  
Jasionka 955B  
36-002 JASIONKA

export@akces-med.com  
+48 (17) 864 04 77  
www.akces-med.com



## ADVANTAGES:



### Stable structure

The device ensures adequate stability and safety of Patient.



### Independence

Patient can upright by himself and walk independently.



### 24 months warranty

We offer 24 months warranty on the product. We also provide after sales service.



### Easy to use

Intuitive way of adjustment and easy assembly.



### 2 in 1

The product has 2 utility functions for use in 1 single device. Dynamic and static function.



ACTIVALL CROSS™ makes it possible for the patient to adopt upright position and move



Lower limbs separator prevents from crossing of the legs.



Durable pelvic harness protects from falling down.

## COLORS



Size 1



Size 2



Size 3



Size 4



Size 5



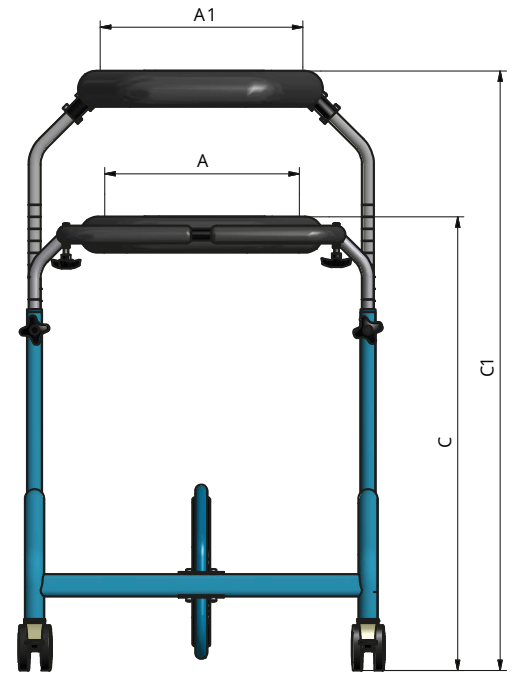
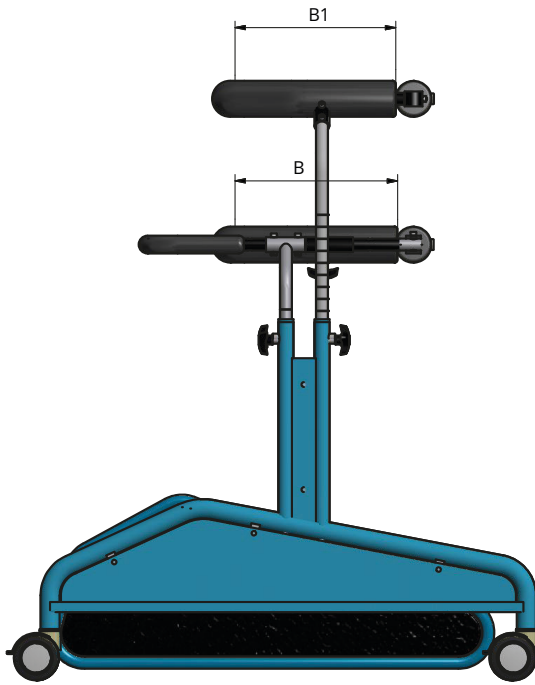
*Our passion – your independence!*

Colors may differ from the presented images. The manufacturer reserves the right to make changes in products without updating the directory. Current offer on our website.

Akces-MED sp. z o.o.  
Jasionka 955B  
36-002 JASIONKA

export@akces-med.com  
+48 (17) 864 04 77  
www.akces-med.com

Version: 09/2017



Symbol	Measurement	Unit	Size 1	Size 2	Size 3	Size 4	Size 5
A	Pelvic support width	[cm]	26	28	31	37	42
B	Pelvic support depth*	[cm]	22	25	27	29	35
C	Pelvic support height	[cm]	44-60	66-82	77-102	85-112	98-120
	Obwód peloty biodrowej	[cm]	87	97	106	124	144
A1	Chest support width	[cm]	26	28	31	37	42
B1	Chest support depth	[cm]	22	25	27	29	35
C1	Chest support height	[cm]	52-70	77-95	89-116	92-126	108-143
	Max user weight	[kg]	25	40	60	80	95
Product dimensions and weight		Unit	Size 1	Size 2	Size 3	Size 4	Size 5
	Width	[cm]	59	60	63	66	74
	Lenght	[cm]	73	84	84	91	98
	Height	[cm]	54	79	90	96	112
	Weight	[kg]	13,5	16,5	18	20,5	23

\*Measured without harness stabilizing the hips.

**Note:** Measurement tolerance range is +/- 1 cm / ½ in.

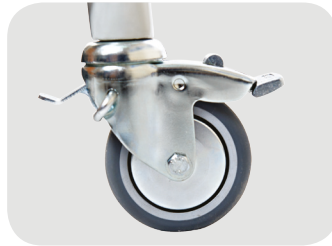


## Safety



### Patient lift belt

Robust and ergonomic design as well as high durability facilitates daily care of the patient.



### Reverse braking casters

Reverse braking prevents reversing of the standing frame e.g. on the drive-ways.



### Directional lock casters

Directional lock allows you to set the moving direction of the standing frame.



### Tango caster with a diameter of 125mm

Noiseless, easy to maintain, does not leave marks, does not corrode.



## Stabilization



### Forearm supports

Perfect for people with limited control of the upper body. They provide an additional side stabilization. You can order 1 or 2 pieces.



### Hip stabilizing harness

Attachable to the pelvic support, acts as a pelvic girdle stabilizer which secures the user from falling out of the device. Special buckles allow you to install the lower limbs apparatus/tutors.



### Cushion to narrow down the chest support

The cushion provides additional support and stabilization of the trunk. Attachable to the chest support, it helps to better fit the device to the user's needs.



### Cushion to narrow down the pelvic support

The cushion provides additional support and stabilization around the hips. Attachable to the pelvic support, it helps to better fit the device to the user's needs.



### Lower limbs separator

Lower limbs separator prevents from crossing the legs while using the dynamic function of the device.



### Lower limbs stabilizer

Used in the early phase of rehabilitation when the patient is not yet able to walk alone in the standing frame. Adjustable height. Used interchangeably with the lower limbs separator.



## Build-up



### Activall Cross™ Module

ACTIVALL CROSS™ makes it possible for the patient to adopt upright position and move within house, hospital ward or outside. These activities are possible thanks to big front castors and rotating back castors. There is no doubt that this device exerts a positive influence on patient's independence and self-reliance and it enables the patient to perform activities which were impossible before. Active upright standing performed outside improves fitness and mental condition and, moreover, it stimulates his senses and makes his life comfortable. Patient has a chance to stand and walk.



## Lower limb orthoses



### AM-TUD-KD

Orthosis immobilizing the lower limb. It prevents the knee hyperextension and it is a dedicated support in the process of rehabilitation.



### AM-TUD-KD-02

Orthosis immobilizing the lower limb with additional knee flap. Especially recommended for patients with muscle weakness of lower limbs. It prevents the knee hyperextension and it is a dedicated support in the process of rehabilitation.



### AM-TUD-KD-03

Modular orthosis immobilizing the lower limb. It prevents the knee hyperextension and it is a dedicated support in the process of rehabilitation.



### AM-KD-AM/2R-02

Shin and thigh orthosis with knee flap and polycentric range of motion adjustment in increments of 20 degrees. Especially recommended for patients with muscle weakness of lower limbs. It prevents the knee hyperextension and it is a dedicated support in the process



### OKD-03

Orthosis immobilizing the lower limb in extension. It prevents the knee hyperextension and it is a dedicated support in the process of rehabilitation.



### OKD-03/20

Orthosis immobilizing the lower limb in 20 degrees flexion. It keeps the knee joint in moderate 20 degrees flexion which prevents the hyperextension.



### OKD-03/10

Orthosis immobilizing the lower limb in 10 degrees flexion. It keeps the knee joint in moderate 10 degrees flexion which prevents the hyperextension.



### OKD-02

Shin and thigh orthosis with polycentric range of motion adjustment in increments of 20 degrees. It stabilizes and relieves the knee joint.



### OKD-01

Universal knee immobilizer. It is quick, efficient, and comfortable solution in the case of knee joint instability.



### AM-KD-AM/1R

Shin and thigh orthosis with polycentric range of motion adjustment in increments of 15 degrees. It stabilizes and relieves the knee joint.



### AM-KD-AM/2R

Shin and thigh orthosis with polycentric range of motion adjustment in increments of 20 degrees. It stabilizes and relieves the knee joint.



### AM-KDS-AM/2R

Lower limb orthosis with polycentric range of motion adjustment in increments of 20 degrees and dynamic feet made of carbon fiber. KAFO (knee-ankle-foot-orthosis) type orthosis that stabilizes the knee joint and compensates the lost function of the foot dorsi-



### AM-ASS-OS

Foot-drop orthosis correcting abnormal axis in the frontal plane. AFO (ankle-foot-orthosis) type orthosis is perfect in the case of peroneal nerve palsy and foot paresis.



### OKD-13

Mobile lower limb orthosis. It allows safe and independent movement of the patient e.g. from wheelchair to bed.



### OKD-14

Knee and hip orthosis with range of motion adjustment in the joints. It stabilizes the knee and hip in frontal and sagittal plane.



### OKD-10

Dynamic orthosis that supports raising of the lower limb. The orthosis activates the normal gait pattern by raising and moving the weakened lower limb.