



SERENITY HEALTH CARE PRODUCTS INC.

Improving Lifestyles Through Innovation

VPL-SH1 Vertical Platform Lift Owner's Manual

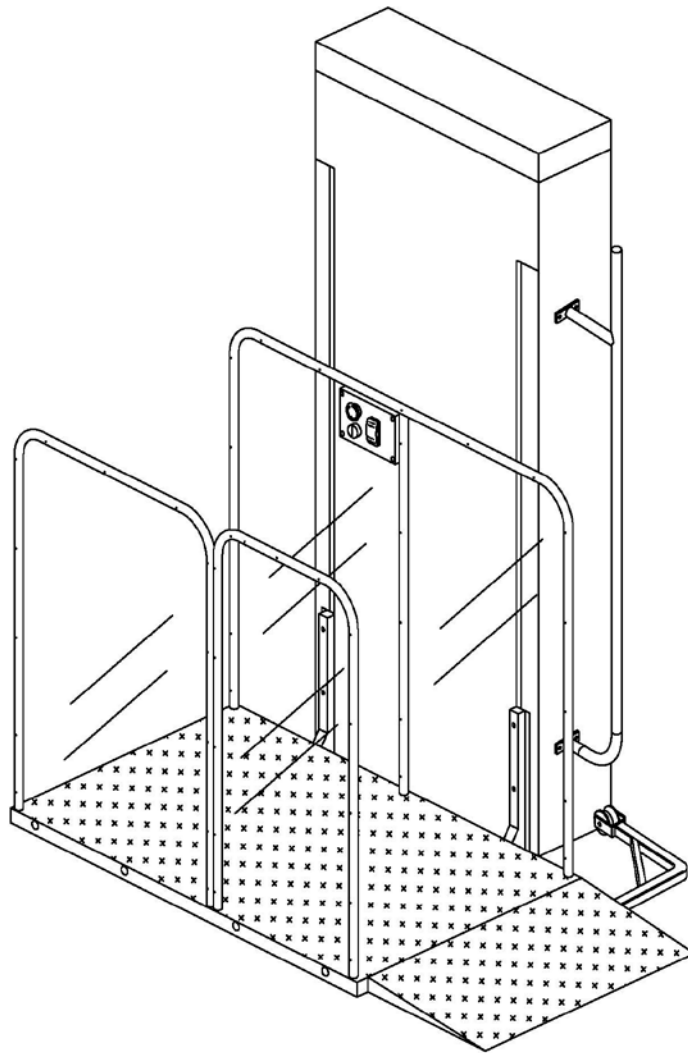


Table of Contents

Introduction	3
Features	4
Typical Components	5
Operating Instructions	6
General	6
Platform Controls	6
Automatic Ramp	6
Emergency Stop Button	6
Emergency Manual Operation	7
Optional Vertical Lift Configurations	8
General Specifications	9
Maintenance	10
Trouble Shooting	11
Limited Warranty	12

Introduction

Thank you for purchasing the SERENITY HEALTH CARE PRODUCTS INC Standard Vertical Platform Lift VPL-SH1.

Please carefully read and understand this entire manual prior to attempting operation of this vertical lift. This will allow you to safely enjoy the use of the lift.

This vertical lift is easy to operate and has been designed to provide years of reliable trouble-free operation.

Please observe all cautions and warnings.

If you require service or maintenance for your lift, only use a qualified authorized dealer who has trained technicians with the required tools to properly provide you quality service.

Dealer Information

Name: _____

Address: _____

Telephone No.: _____

Email: _____

Important

The serial number of your lift contains important information. This number will be required if the lift requires service or replacement parts. Please write down the serial number for future reference:

Serial No.: _____

Purchase date: _____
 Month Day Year

Note: Serial number plate is located on the exterior of the stationary drive tower, on either left or right side panel.

Features

The descriptions below will assist you in learning the locations and functions of specific features of your SERENITY HEALTH CARE PRODUCTS INC standard vertical platform lift.

Platform Controls – Located on the inside wall of the platform. A key must be inserted into the key switch and turned 'on' before the lift can be operated. Push the switch and hold (up or down) to move the platform in the corresponding direction. The platform will automatically stop at any time the switch is released.

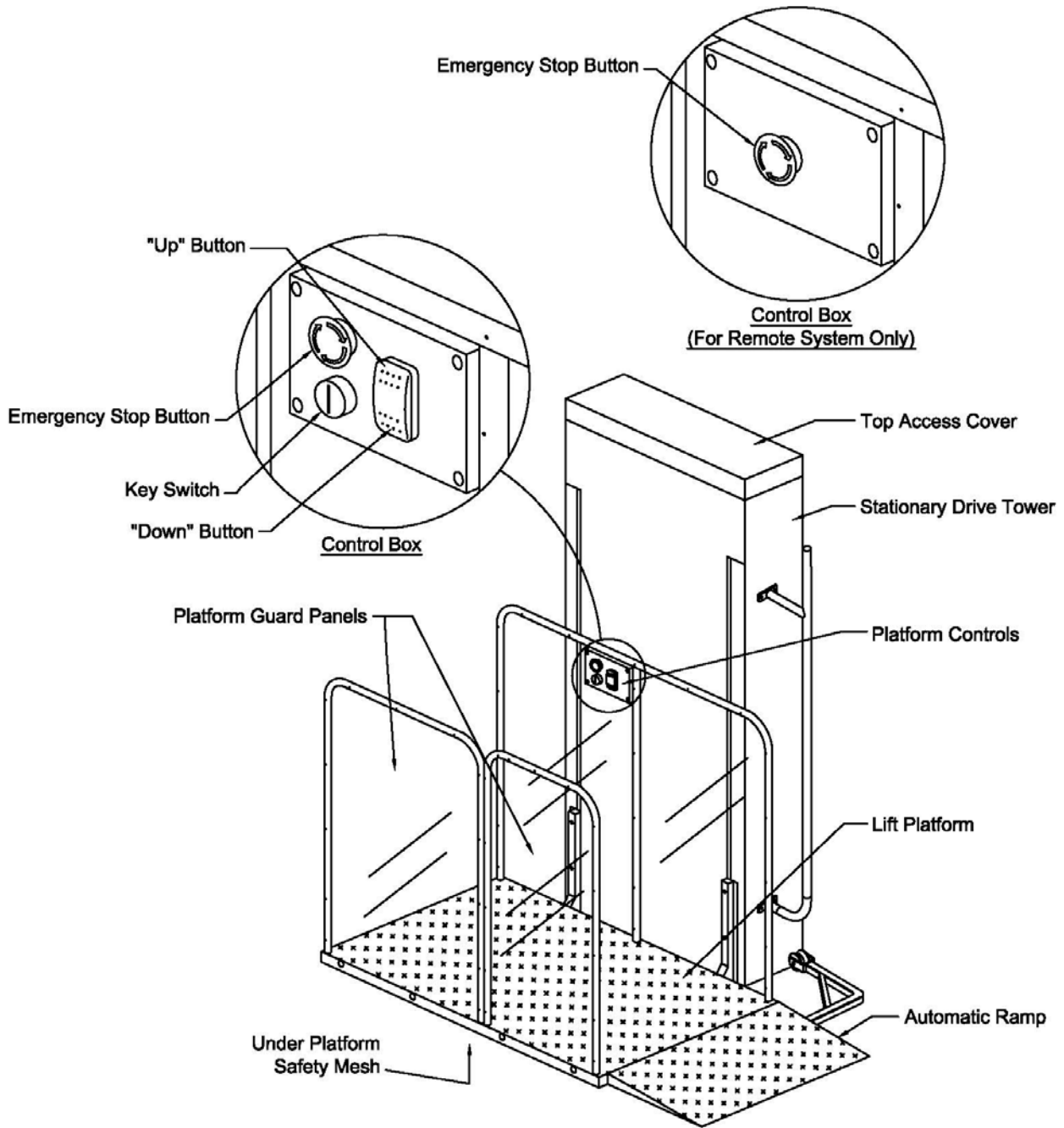
Emergency Stop Button – Located on the platform controls. This button can be pushed at anytime to stop the operation of the lift. Pressing this button also activates an audible alarm.

Automatic Ramp – When the platform is not at the lower landing position, the ramp is automatically raised to act as a stop guard. When the platform approaches the desired landing, the ramp will be automatically deployed.

Platform Safety Mesh – Located under the platform. Connected to the safety PAN are micro sensor switches that will immediately stop the platform if it encounters an obstacle during its downward travel. Note: Upward travel is not disabled when the safety mesh sensor is triggered.

Platform Guard Panels – These panels are located on the end and outer side of the lift to keep the rider securely enclosed within the platform.

Typical Components



Operating Instructions

General

- Whenever possible, distribute weight evenly on the platform.
- Ensure your hands and feet are inside the platform before operation.
- Secure all loose clothing and/or personal articles inside the platform.
- Use extreme caution when operating the lift near children or other pedestrians.
- Do not exceed the maximum capacity of 750 lbs
- Do not bypass any controls or sensors
- Do not use lift to transport freight.
- Do not operate the lift if it has been damaged.

Platform Controls

When the lift is in the designated landing, enter onto the lift platform, ensuring that all loose articles are completely inside the platform area.

Insert the key into the key switch and turn clockwise ($\frac{1}{4}$ turn) to the “on” position. Then press and hold the direction button (“up” ↑ or “down” ↓) in the desired direction of travel. The platform will automatically stop when the desired landing is reached. Releasing the button at any time will stop the platforms movement.

If necessary, it is possible to change directions once the platform is between landings. To do this, simply release the current directional button and then press the other directional button.

Automatic Ramp

The ramp retraction and deployment is automatic and does not require actions from the user. When the platform is not at the lower landing position, the ramp is automatically raised to act as a platform stop/guard. When the platform approaches the desired landing, the ramp is automatically deployed.

Do not enter or exit the platform lift until the automatic ramp has been fully deployed. Do not stop or impede the movement of the ramp while it is in motion.

Emergency Stop Button

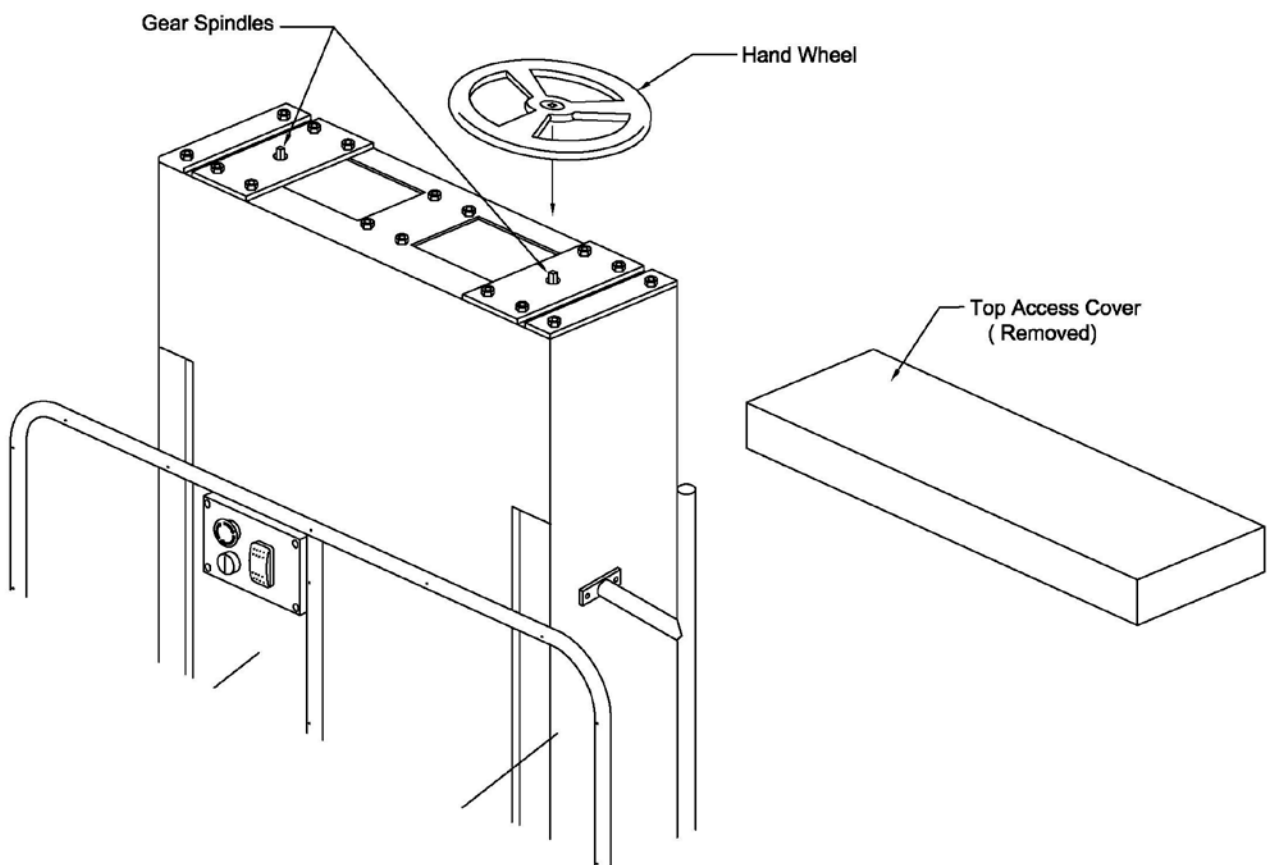
The emergency stop button can be pushed at anytime to stop the operation of the lift. When pressed, all the panel controls become disabled. To reset the button, and return the lift to normal operation, simply turn the button counter-clockwise and the button will ‘pop’ back out to the reset position.

When the button is pressed, it also activates an audible “beeping” alarm. This button can also be used to call for assistance.

Emergency Manual Operation

In the event of a power failure, the platform can be manually lowered using an external hand wheel.

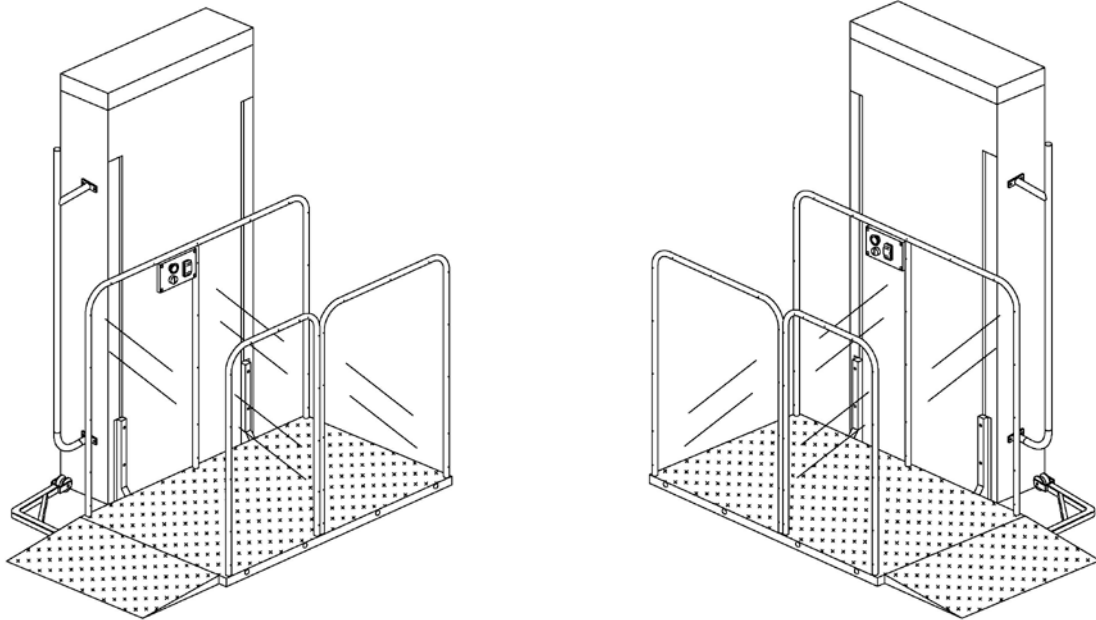
- Unplug the unit from your 110V receptacle or if hard wired, turn off the main power at the main disconnect or breaker.
- Turn the key switch to the off position and remove the key.
Note: The above steps are very important in the event the power is unexpectedly restored.
- Remove the top access cover from the stationary drive tower to expose the protruding dual gear spindles.
- Attach the hand wheel onto any one of the spindles.
- Rotate the hand wheel clockwise to raise the platform and counterclockwise to lower the platform.



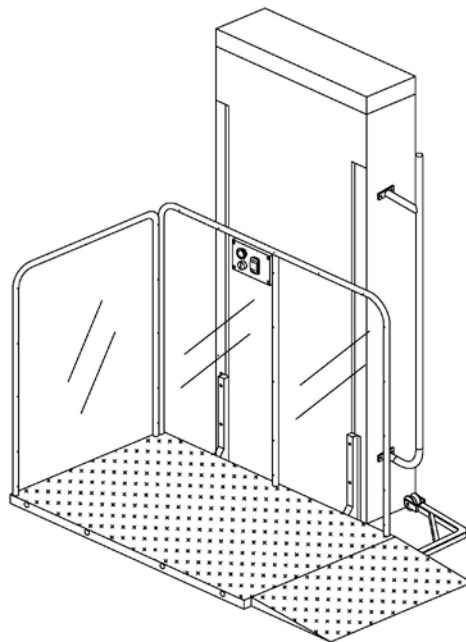
Optional Standard Vertical Lift Configurations

The Standard Vertical Lift has been designed to suit various customer needs and requirements. All these options must be configured by your authorized lift dealer.

1/ The automatic ramp can be located on the left-hand or right-hand side of the platform.



2/ The vertical side panels can be arranged for front exit from the platform.



General Specifications

Rated Load:	750 lbs (340 Kg)
Rated Speed:	3 inches/sec
Power Supply:	110 VAC, 60 Hz, Single Phase, 0.75 kW
Motor:	1 hp, AC (reversible)
Drive System:	Worm gear with tooth belt drive
Operating Controls:	Constant pressure buttons
Surface Material:	Anti-slip surfaces on deck and ramp
Safety Features:	Emergency stop button with audible alarm
Application:	Residential indoor / outdoor use

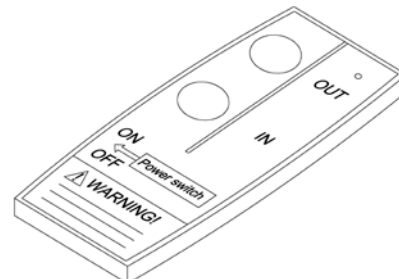
Optional DC Specifications

Rated Load:	750 lbs (340 Kg)
Rated Speed:	3 inches/sec
Power Supply:	2 x 12 V Batteries; 35 A
Motor:	24 VDC, 650-900 W
Drive System:	Worm gear with tooth belt drive
Operating Controls:	Constant pressure buttons
Surface Material:	Anti-slip surfaces on deck and ramp
Safety Features:	Emergency stop button with audible alarm
Application:	Residential indoor / outdoor use

Optional Remote System Controllers



Battery size: 12V/27A



Battery size: 12V/23A

Maintenance

Homeowners are required to inspect the following functions every 2 months:

- a) General operation of the vertical lift.
- b) The operation of the under pan safety sensors.
- c) Emergency stop switch.
- d) Free of debris under vertical lift.
- e) Every six months, we strongly recommend you make an appointment with your authorized dealer to perform all your required maintenance service and repair work.
- f) Once a year, it is mandatory to call your authorized dealer to perform the annual inspection that includes all maintenance and safety inspections and repairs where necessary.

Regular maintenance is essential for keeping your lift in proper operating condition. We strongly recommend that you only use authorized dealers to perform all required maintenance, service and repair work.

List below are some of the items that should be inspected on a regularly schedule basis.

- Tighten all fastening anchors
- Inspect platform and ramp for proper operation
- Lubricate ramp linkages and pivot points
- Inspect and clean vertical travel guides
- Lubricate all rollers and internal linkages
- Clean ball screws and apply new grease
- Grease the block bearings located at each end of the ball screws
- Inspect pulley belts for excessive wear
- Verify proper tension of the belt drives
- Clear excessive or large debris from the underside of the lift platform

Trouble Shooting

A quick check of the operating instructions in this manual may prevent an unnecessary service call. Before calling your authorized dealer for service, refer to the following checklist.

If the lift will not operate:

- Check for a blown fuse, tripped circuit breaker or tripped GFI electrical outlet.
- Check that all interlocks are clear and free from debris
- Check that the emergency stop buttons are not activated
- Check that the key is fully inserted and turned to the 'on' position
- Check for obstructions in the path of the rollers
- If the platform prematurely stops while going down, move the platform back up and check for an obstruction underneath the platform

If the lift will not operate after checking the above items, contact your local authorized dealer for service. When talking to your authorized dealer, please specify your serial number and date of purchase to ensure a proper diagnosis can be determined and original replacement parts can be used.

Limited Warranty

The entire lift assembly is to be free from defects in materials and workmanship under normal use and service for a period of 36 months from the date of installation, reasonable wear and tear excluded. Proof of the date of installation is required to determine the warranty period.

This warranty is not extended to any vertical lift unit which has been subjected to misuse, neglect, vandalism, damage from fire, lightening or water, or used in different manners than those described in the owners manual, nor units repaired or altered by any person other than an authorized dealer.

Please note: 12 month inspections must be adhered to in order for warranty to continue beyond 12 months.

This warranty is limited to the repair and/or replacement of the lift unit only. Transportation and labor charges are not covered. This warranty accepts no liability for any loss or damage resulting from use or misuse of the equipment, whether such damage is direct, indirect or consequential. All other express or implied warranties, statutory or otherwise, are excluded.

VPL-SH1 Vertical Platform Lift Warranty Card

- (PLEASE MAIL THIS PORTION TO DEALER) -

AUTHORIZED DEALER #/ NAME: _____

OWNER NAME/ ADDRESS: _____

INSTALLATION DATE/ INSTALLER: _____

SERIAL #: _____

Comments: Please Check...

Warranty Type: **STANDARD** **EXTENDED WARRANTY**

Product/ Unit: Satisfied _____

Service: Satisfied _____