

Installation Details

Floor Cut Out

Aliyah II

General Information/Requirements:

Before beginning any construction, check the floor and wall locations for any utilities, such as, electrical wiring, fireplace gas lines, A/C ducts, etc.

Hoistway: The hoistway must be designed and built in accordance with "Safety Standard for Platform Lifts and Stairway Chairlifts" or "Safety Code for Elevators and Escalators" and all state/provincial and local codes.

Plumb Runway: Due to close running clearances, owner/agent must ensure that the hoistway are level, plumb ($\pm 1/8"$) and square and in accordance with the dimensions on these drawings.

Minimum Overhead Clearance: Owner/agent must ensure minimum overhead clearance is in compliance with codes.

Construction Site: Owner/agent to provide all masonry, carpentry and drywall work as required and shall patch and make good (including finish painting), all areas where walls/floors may require to be cut, drilled or altered in any way to permit proper installation of the lift.

Dimensions: Contractor/customer to verify all dimensions and report any discrepancies to supplier immediately.

Structural

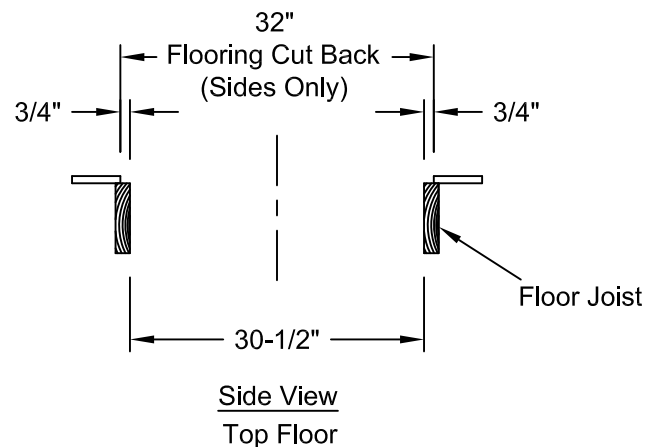
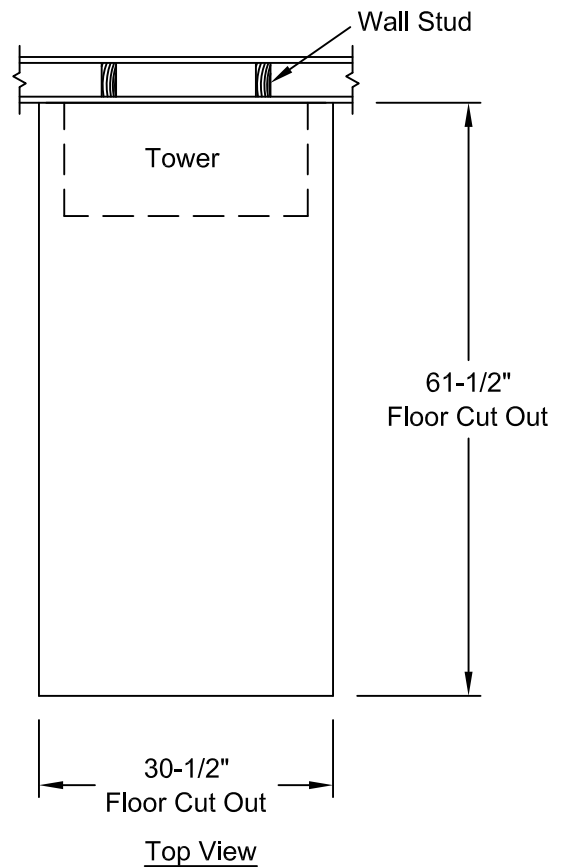
Floor/Support Wall Loads: Structural Engineer to assure that building and hoistway will safely support all loads imposed by the lift equipment.

Tower to be Securely Fastened: The tower must be securely fastened to the floor joist.

Electrical

General: Electrical equipment and wiring to comply with section 38 of CSA C22.1 (Canada) or section 620 of NEC ANSI/NFPA 70 (USA).

Power Supply: 120VAC, 15A, 60Hz.



CODE

This lift is designed, manufactured in accordance with the following standards:
ASME A17.1 Part V 1996-97, NEC 2002 and IBC 2000.
Serenity's responsibility is limited to the design and manufacturing requirements of these codes and excludes requirements relevant to the installation and installation site.



SERENITY HEALTH CARE PRODUCTS Inc.

Improving Lifestyles Through Innovation