

<b>Order #:</b>	<b>Date:</b>
-----------------	--------------

<b>Name:</b>	<b>Phone #:</b>	<b>Email:</b>
--------------	-----------------	---------------

**Bill to:**

<b>Account #:</b>	<b>Company name:</b>
-------------------	----------------------

<b>Street:</b>	<b>Street2:</b>
----------------	-----------------

<b>City:</b>	<b>Province:</b>	<b>Postal:</b>
--------------	------------------	----------------

**Ship to:**

<b>Account #:</b>	<b>Company name:</b>
-------------------	----------------------

<b>Street:</b>	<b>Street2:</b>
----------------	-----------------

<b>City:</b>	<b>Province:</b>	<b>Postal:</b>
--------------	------------------	----------------

<b>Name:</b>	<b>Phone #:</b>	<b>Email:</b>
--------------	-----------------	---------------

<b>Notes:</b>
---------------

**STANDARD EQUIPMENT (Circle size and choose options below)**



- Waterproof upholstery made of nylon mesh
- Adjustable head support
- Adjustable trunk belt
- Independently adjustable leg belts
- Water-resistant adjustable frame equipped with foam covers to avoid scratches on the bathtub
- DRY FLOOR TECH™. In all of our bath products the frame is filled with polyurethane foam which prevents water from getting inside.

**Size baby: \$717**

**Size 0: \$717**



**Size 1: \$882**

**Size 2: \$914**

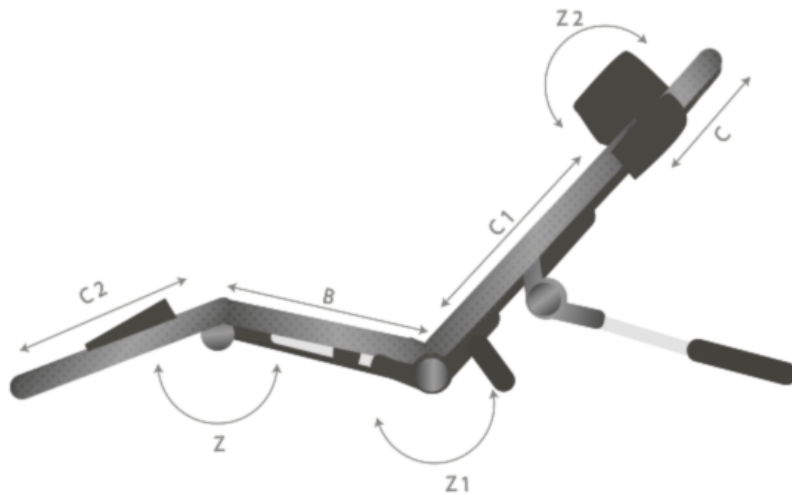
**Size 3: \$951**

**Size 4: \$1,036**

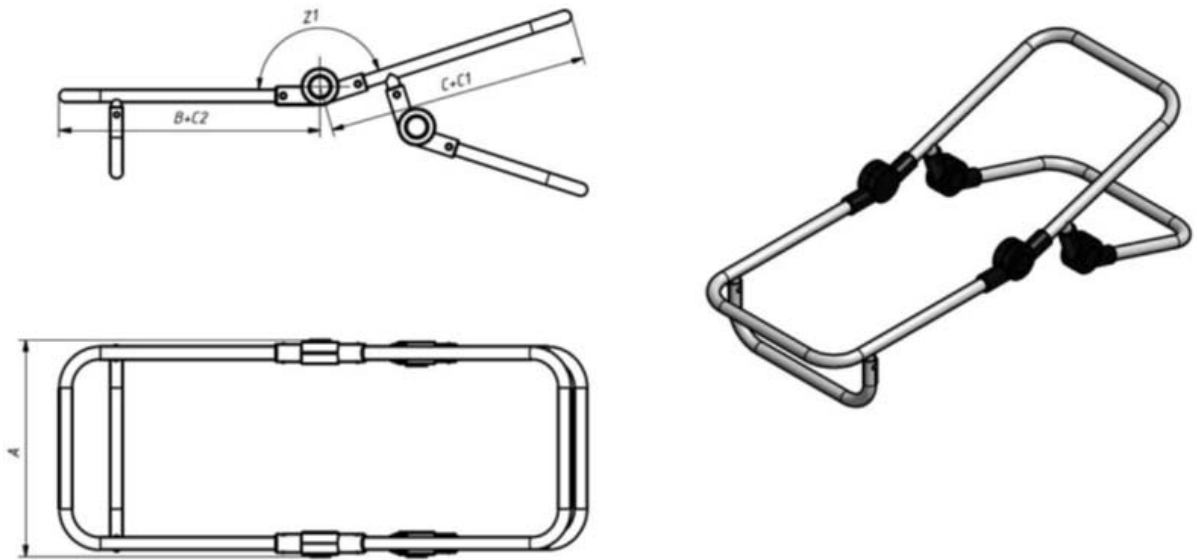
# ACCESSORIES

CATEGORY	SYMBOL	EQUIPMENT	PIECES	QTY
The BodyMap cushion can be used generally or during baths as all BodyMap cushions are waterproof! The use of BodyMap cushion makes stabilization of the patient more efficient during bath/shower.				
BODYMAP POSITIONING	AKL_325	Fixing kit for BodyMap cushion	1	\$206
	AKL_327	BodyMap cushion K/L0 (40x120 cm)	1	\$2,336
		BodyMap cushion K/L1 (40x120 cm)		\$2,336
		BodyMap cushion K/L2 (45x130 cm)		\$2,491
		BodyMap cushion K/L3 (50x145 cm)		\$2,647
		BodyMap cushion K/L4 (55x180 cm)		\$2,803
COMFORT	AKL_804	 AKVO Active waterproof platform for bath chairs - Active waterproof platform for bath devices for disabled children	1	\$951

## SIZE TABLES



## SIZE BABY



Symbol	Measurement	Unit	Size Baby	Size 0	Size 1	Size 2	Size 3	Size 4
A	Product width	[cm]	35	35	40	40	45	50
B	Seat depth	[cm]	-	22	25	28	33	35
C	Headrest height	[cm]	-	19	22	26	30	33
C1	Backrest height	[cm]	-	28	33	37	43	50
C2	Lower leg length	[cm]	-	24	28	31	36	41
B+C2	Seat depth with lower leg length	[cm]	41	46	53	59	69	79
C+C1	Backrest height with backrest height	[cm]	41	47	55	63	73	83
Z	Kąt pochylenia podparcia nóg (względem siedziska)	[°]	-	90 - 180	90 - 180	90 - 180	90 - 180	90 - 180
Z1	Backrest tilt angle (relatively to the seat)	[°]	90 - 180	90 - 180	90 - 180	90 - 180	90 - 180	90 - 180
Z2	Kąt pochylenia podparcia głowy (względem oparcia)	[°]	-	144 - 234	144 - 234	144 - 234	144 - 234	144 - 234
	Max. user weight	[kg]	25	25	30	30	45	60
W	Indicative user height*	[cm]	55 - 75	< 80	< 90	< 100	< 120	< 160

**Note:** Measurement tolerance range is +/- 1 cm / ½ in.

\*The value cannot be main factor for selection of product size.