

Order #:	Date:
-----------------	--------------

Name:	Phone #:	Email:
--------------	-----------------	---------------

Bill to:

Account #:	Company name:
-------------------	----------------------

Street:	Street 2:
----------------	------------------

City:	Province:	Postal:
--------------	------------------	----------------

Ship to:

Account #:	Company name:
-------------------	----------------------



Street:	Street 2:
----------------	------------------

City:	Province:	Postal:
--------------	------------------	----------------

Name:	Phone #:	Email:
--------------	-----------------	---------------

Notes:

STANDARD EQUIPMENT (Circle size below)

	<p>CRAB chair:</p> <ul style="list-style-type: none"> • Medical upholstery • Durable construction • Solid rubber castors 	<p>1 Size: \$879</p>
	<p>CRAB PRO chair:</p> <ul style="list-style-type: none"> • Medical upholstery • Durable construction • Solid rubber castors • Height adjustment 	<p>1 Size: \$1,005</p>



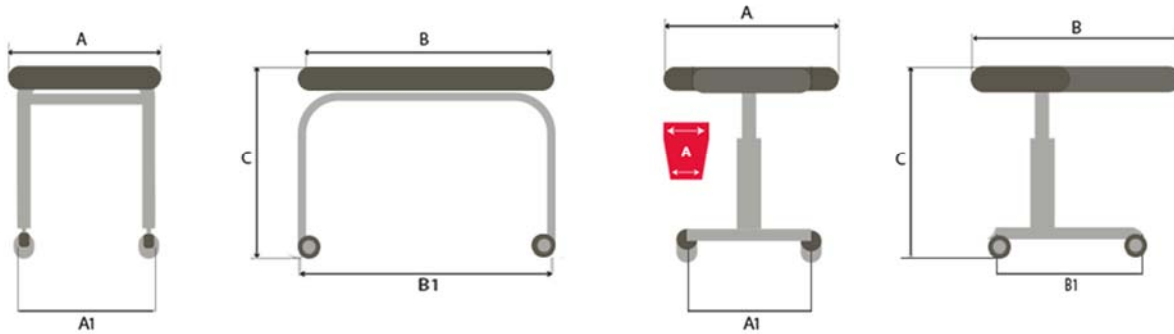
Durable construction gives maximum stability during using the chair.



Solid rubber castors allows easier moving around the patient.



Medical upholstery used in this product is vapor permeable, waterproof and easy to disinfect.



Symbol	Measuerement	Unit	Crab™	Crab Pro™
A	Seat width	[cm]	37	21 / 33
A1	Frame width	[cm]	37	24 / 24
B	Seat length	[cm]	51	64
B1	Frame lenght	[cm]	51	47
C	Height	[cm]	46	38 - 50
	Weight	[kg]	3,5	5
	Max user weight	[kg]	100	100

Note: Measurement tolerance range is +/- 1 cm / ½ in.

COLOURS

MEDICAL UPHOLSTERY - MEDICUS™



WATER RESISTANT



STEAM PERMEABLE



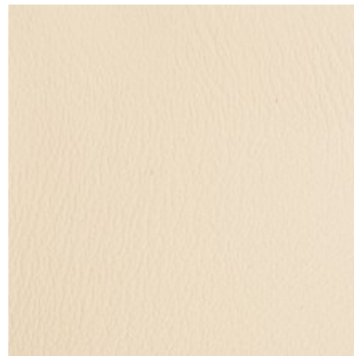
FIRE RETARDANT



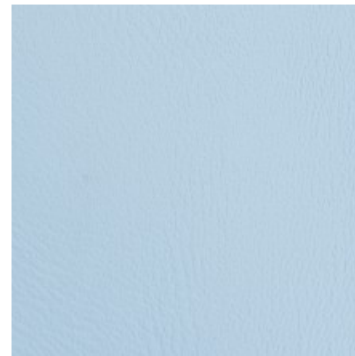
REDUCED ENVIRONMENT
IMPACT



Med Sea
Standard



Med Skin
*Optional



Med Blue
*Optional

Medical upholstery Medicus™ is made of a waterproof material that ensures moisture circulation (vapor permeability). Medicus™ is hypoallergenic (safe for allergy sufferers), prevents angers and bedsores. Upholstery is very durable and easy to clean and disinfect. This makes it perfect for using at home during daily activities such as eating and drinking. Medicus™ meets the requirements for medical devices so it is recommended to use in health care centers.

MEDICAL UPHOLSTERY - EXTREME MED™



PHTHALATE FREE



ANTIMICROBIAL &
ANTIFUNGAL



CR187



STAIN RESISTANT



ABRASION



REDUCED ENVIRONMENT
IMPACT



TROPICAL TEST



Citrus Green
*Optional



Candy
*Optional



Pillarbox
*Optional

Optional colors available for special request. Real upholstery colors may differ from the presented images.

Extreme-Med™ is high advanced medical upholstery. It is vinyl fabric with a lot of certificated, e.g. flammability test CRIB7 and Moist-Heat Resistant Tropical Test. Furthermore, Extreme-Med™ is also abrasion resistant, what is confirmed by Martindale test (500k cycles). The fabric is very durably, flame retardant and can be used in every kind of weather. Upholster is safe for patient: does not contain phthalates, is hypoallergenic, protects against the moulds, bacteria and dermatophytosis. The fabric is very easy to clean and maintain. Using the special PCV layer, material does not absorb liquids and other stains. Extreme-Med™ meets the requirements for medical devices so it is recommended to use in health care centers.