



JOY™

TABLE



USER MANUAL

Our passion - your independence!

Version:

- JOY_001 Cut-out board
- JOY_002 Plain Board
- JOY_003 Tilt Cut-out board
- JOY_004 Tilt Plain board

AKCES[®]MED



CAUTION! Manufacturer takes responsibility for proper usage of the device only when the product was purchased from qualified Akces-Med employee or at specialized medical store!

CAUTION! AKCES-MED Ltd. reserve the right to introduce technical and trading changes in the content of the instruction without warning.

**MEDICAL
DEVICE**
CLASS 1



**WYRÓB
MEDYCZNY**
KLASA 1

Medical product first class according to the Regulation 93/42/EWG of European Parliament and Council regarding medical products. For this product the producer issued relevant declaration of conformity.



Akces-Med Sp. z o.o. Company introduced quality management system ISO 13485 regarding production, sales and service. The system is certified by Det Norske Veritas.

CONTENTS

1. <i>Purpose of the manual</i>	5
2. <i>General construction of the table</i>	6
3. <i>Size table</i>	7
4. <i>Assembly of the board</i>	8
5. <i>Description of table adjustment</i>	11
6. <i>Safety rules</i>	13



INTRODUCTION

Joy™ table is unique accessory to our Kidoo chair but not only. It can be used along with other chairs, school chairs or office chairs. All of this because of the height adjustment.

Wide tabletop provides a lot of possibilities – this is a place to play, learn, to have a meals or to use a computer. The table can be fitted to every chair, because of adjusted height. The table is stable because of firm construction. The tabletop is smooth and easy to maintain.

Before using the product, user is obliged to familiarize himself/herself with user manual.

Remember to read this user manual carefully. You will find not only useful information but also guidelines regarding safe and effective use of the product.

If you have any questions or remarks, do not hesitate to contact with us:

Medical consultant: mobile +48 508 382 509

Akces-MED Sp. z o.o.: ph. +48 17 864 04 77

e-mail: export@akces-med.com

Thank you for purchasing our product.



CAUTION! Before using the product, user is obliged to familiarize himself/herself with user manual. Remember that complying with guidelines is highly important. It assures safety and extends durability as well as aesthetics of the device.

1 THE PURPOSE OF USER MANUAL

The present user manual contains basic information which is essential for proper usage, preparation, maintenance, cleaning and guarantee conditions regarding **JOY™** table.

User manual should be kept in easily accessible place. It is designed for people who look after disabled children, and for both doctors as well as physiotherapists who operate the device.



CAUTION! Before using the product, user is obliged to familiarize himself/herself with user manual.

Remember that complying with guidelines is highly important. It assures safety and extends durability as well as aesthetics of the device

2 INDICATIONS FOR USE

THE JOY™ TABLE CAN BE USED IN SUCH SITUATIONS AS:

- Diagnosing the patient – the possibility of adjusting the **JOY™** Table to the patient's individual needs helps to analyze the clinical picture of the patient, their behavior and reflexes while sitting on a bed, in a car seat, chair or wheelchair.
- Therapy monitoring during the treatment process – the daily use of the **JOY™** Table allows you to monitor the patient's behavior during the rehabilitation process in the same, comparable conditions. It helps to choose appropriate and targeted methods to obtain the best possible results of the therapy.
- Soothing or compensating the effects of injury or handicap – the **JOY™** Table can be successfully used in various situations during everyday therapy, recreation and work and, at the same time, it improves the quality of everyday life. Having meals or doing simple manual activities with the use of the **JOY™** Table becomes much easier. The large surface of the table top makes it possible have all the necessary items within the reach of the patient.

2 GENERAL CONSTRUCTION OF THE TABLE

2.1 Standard equipment:

1. Wide board
2. Frame with adjustable height



Versions:



JOY_001 Cut-out board



JOY_002 Plain Board

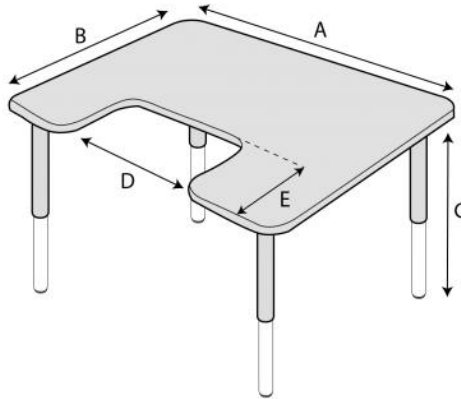


JOY_003 Tilt Cut-out board



JOY_004 Tilt Plain board

3 SIZE TABLE



Symbol	Dimension	Unit	Measurements
A	Width	[cm]	90
B	Depth	[cm]	60
C	Height	[cm]	40 - 70
D	Cut-out width (1)	[cm]	40
E	Cut-out depth (1)	[cm]	20
	Weight	[kg]	11,2
	Max. load (2)	[kg]	50
	Max. load (3)	[kg]	30

(1) For Joy 1, Joy 3

(2) For Joy 1, Joy 2

(3) For Joy 3, Joy 4

NOTE: Measurement tolerance range is +/- 1 cm / 1/2 in.

4 ASSEMBLY OF THE TABLE BOARD

4.1. Components:

1. Adjusting the tilting angle of the board (x2)

2. The hinge plate(x2)

3. Wood screw 4x16 (x12)

4. Conical screw M6x30 (x4)

5. Uderlay/washer 6.4 (x4)

6. M6 nut (x6)

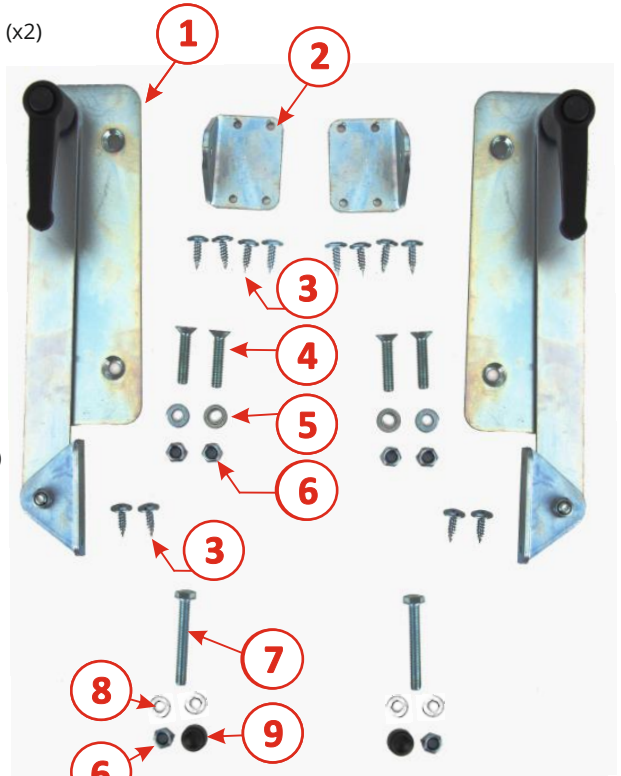
7. Screw with Hexagon head - M6x 40 (x2)

8. Washer/underlay - PA 6.4 (x4)

9. Cap of nut M6 (x2)

10. Frame (x1)

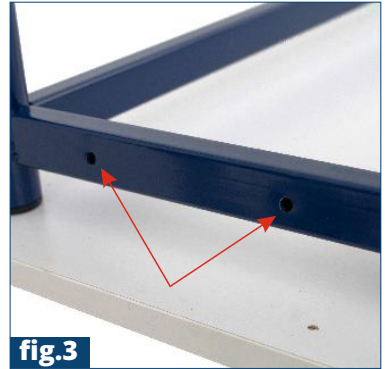
11. Board (x1)



STEP 1

Assembly of the table begins with:

- Fastening the hinge plate (el.2) to the board (fig. 1) with screws (el.3) (fig. 2). Repeat this step on the other side.



- Then adjust the angle of inclination (el. 1) to the frame (fig.3) with screws (el. 4) (fig. 4). Repeat this step on the other side.

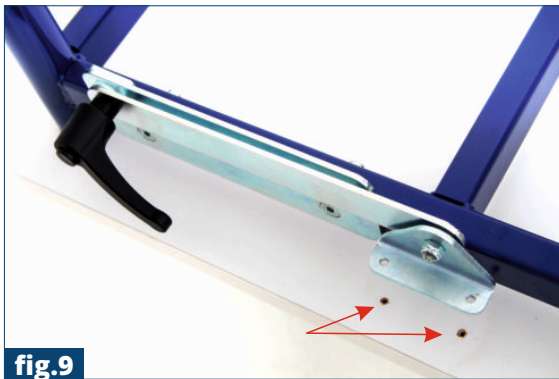


STEP 2

-Then adjust the angle of inclination (el. 1) to the frame (fig.3) with screws (el. 4) (fig. 4). Repeat this step on the other side.



- Next adjust the angle of inclination to the board using the screws (el.3) (fig. 9,10).



5 DESCRIPTION OF TABLE ADJUSTMENT

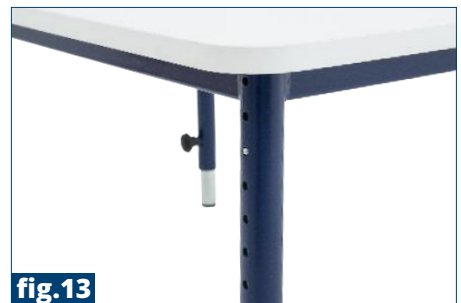
5.1. The height of the table

- The height of the table is adjusted. To do that, there is recommended to turn it upside down.

- To start height adjustment, there is necessary to loosen each knob.

- Next, press the button and place the table leg in the required height.

- The final step is tightened tightly all of the knobs.



CAUTION! Before use it is necessary to make sure that all knobs for adjustments are stable and locked!

5.2. Adjusting the tilt angle of the table

The tilt angle of the board can be changed with the handles located on both sides of the table. To change the tilt angle:

- twist the handles,
- adjust the correct angle of the board
- next tighten the handles.



JOY™ Table can be used with positioning chairs as well as with school chairs.



6 SAFETY RULES



CAUTION! JOY™ table has to be used in compliance with guidelines in this user manual.

1. The product has to be used with compliance to guidelines included in this user manual! Before every using, there is necessary to prepare the patient and the device!
2. Before using the product, it is essential to make sure that there are no damages or different faults which could endanger patient's life. Make sure that all parts are operating correctly and are properly mounted. Moreover, make sure that there are no cracks as well as deformities
3. It is forbidden to use table for different purposes than it is intended to.
4. The table top should be cleaned with soft cloth and publicly available, mild cleaner.
5. Pay your attention during the board tilting. Please do not place the fingers between the board's and table's frame during adjustment.



CAUTION! The product contains small parts which children may swallow.

CAUTION! It is forbidden to make any changes concerning table's structure due to the fact that it is dangerous and it results in losing warranty.

CAUTION! This device can be only used inside the buildings.

CAUTION! The weight of user should not be bigger than maximal weight described on page 7 where you will find information regarding this issue.



PRODUCENT PRZEDMIOTÓW ORTOPEDYCZNYCH



Akces-MED Sp. z o.o.

Jasionka 955B

36-002 Jasionka

tel. (17) 864 04 70

www.akces-med.com

e-mail: export@akces-med.com

Autoryzowany Przedstawiciel



Data wydania: **25.08.2016**

Data ostatniej aktualizacji: **15.11.2018**

Our passion - your independence!