

Mackworth

CP440 Fixed/Portable Ceiling Lift

The CP440 lift is a lifting aid used to transfer clients. The lift makes it possible to move mobility impaired individuals with minimal strain or risk to the caregiver, while providing complete safety, dignity and comfort for the client.

The CP440 lift should be used in conjunction with a suitable track system, such as a Mackworth Portable Gantry System or fixed ceiling track and a moving and handling sling.

The sling should be selected to suit the application and client requirements. It attaches to the lift by means of the carry bar by its straps to hold the individual while the lift, or transfer takes place.

Benefits

- Portable or fixed
- Can be fitted, and moved between any suitable ceiling track or overhead gantry with a compatible trolley set
- Capable of transferring patient of up to 440lb (200kg)
- Unobtrusive, doesn't take up floor space or cause trip hazards
- Move patients with minimal effort whilst maintaining their comfort and dignity
- Can be fitted and removed using QRS reacher



Features

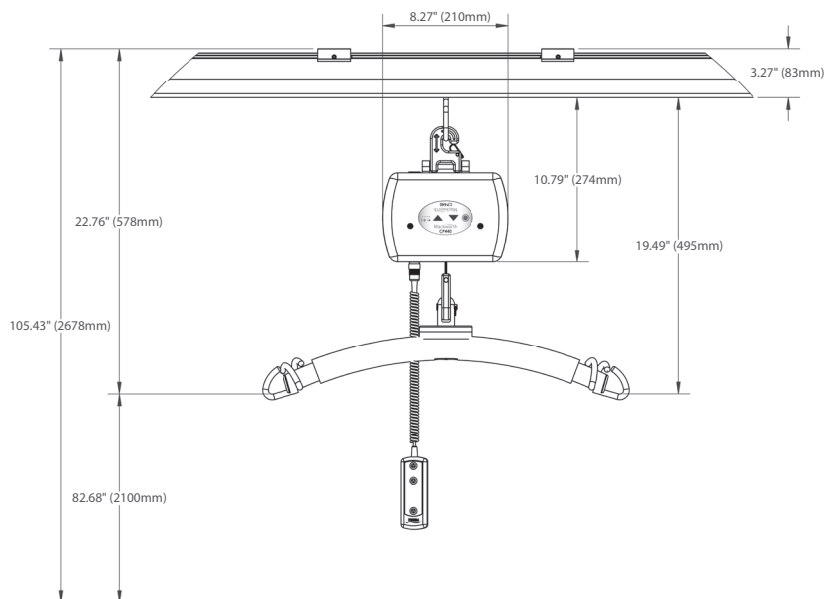
- Compact lightweight aluminium chassis, total unit weight 9.9lb (4.5kg) without a carry bar
- Up, down and emergency lowering controls on both hand controller and unit
- Power switch on rear of unit
- Auto power off after approximately 30 seconds of non-use to save battery
- 50-60 lifts per charge
- Integrated wall dock and charger
- QRS reacher
- QRS carry bar
- Led indicators for:
 - Battery and error status
 - Sleep mode
 - Emergency lower
 - Temperature warnings
 - Lifted weight is over capacity
 - Slack tape error
 - Charger fault

Mackworth

CP440 Fixed/Portable Ceiling Lift

Technical specifications

Max Safe Working Load	440lb (200kg)
Hoist Case	Non Flammable ABS Plastic
Length	8.19" (208mm)
Width	6.97" (177mm)
Height	5.87" (149mm)
Weight (Hoist only)	9.9lb (4.5kg)
Rail Transfer	Manual
Hosting Range	Up to 82.68" (2100mm)
Lifting Speed (unloaded)	1.38"/s (35mm/s)
Lifting Speed (220lb loaded)	0.98"/s (25mm/s)
Charger Input	100- 240V
Charger Output	24V - 1.33 amps
Emergency Stop	Electric
Hand Control	Electric 3 (Button)
Batteries	2 x 12V - 3.3Ah Nimh
In Track Charging	Not Available
Removable from Track	Yes
Duty Cycle	15% use, 85% rest



Product Number: 998538/ Rev: A/ Date: 14/06/2018