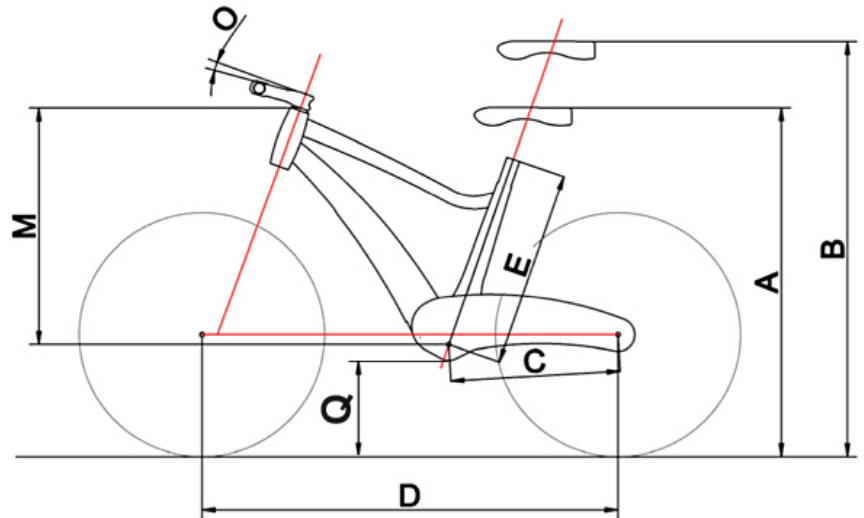
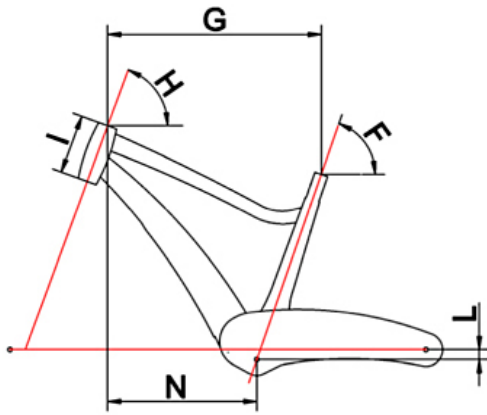


Geometries Crosser



Suggested cyclist height from 165 to 185 cm

A: Minimum height of the saddle from ground up 940 mm

B: Maximum height of the saddle from ground up 1080 mm

C: Cart 455 mm

D: Interaxle spacing 1130 mm

E: Vertical tube 540 mm

F: Vertical tube's angle 71°

G: Tube above 575 mm

H: Steering tube's angle 70°

I: Steering tube 160 mm

L: Difference central movement shaft/back shaft 26,5 mm

M: Vertical central movement shaft/center handlebars stem 640 mm

N: Horizontal central movement shaft/center handlebars stem 400 mm

O: Handlebars connection angle - 7°

P: Angle of handlebars connection rotation 0°

Q: Minimum height from ground up 285 mm

Handlebars stem lenght 120 mm

Handlebars width 700 mm

Pedals lenght 175 mm

Ø drop seat post 31,6 mm

Drop seat post lenght 300 mm

Ø wheel with tyre 700 mm

Wheels dimensions 27,5"