

CE
0120



ARIX FOOT SYSTEMS



JEIL MEDICAL
CORPORATION

ARIX FOOT SYSTEMS

ARIX FOOT Cannulated Screw Systems

3.0 Cannulated Screw & Cannulated Headless Screw System

4.5/6.0 Cannulated Screw System

ARIX FOOT Locking Plate System

2.8/3.5 Locking Plate System



3.0

ARIX Foot Cannulated Screw System

Contents

3.0 Cannulated Screws

3.0 Cannulated Headless Screws

Instruments

Tray Configuration

Reference Chart

3.0 Canulated Screws

Titanium Alloy Material

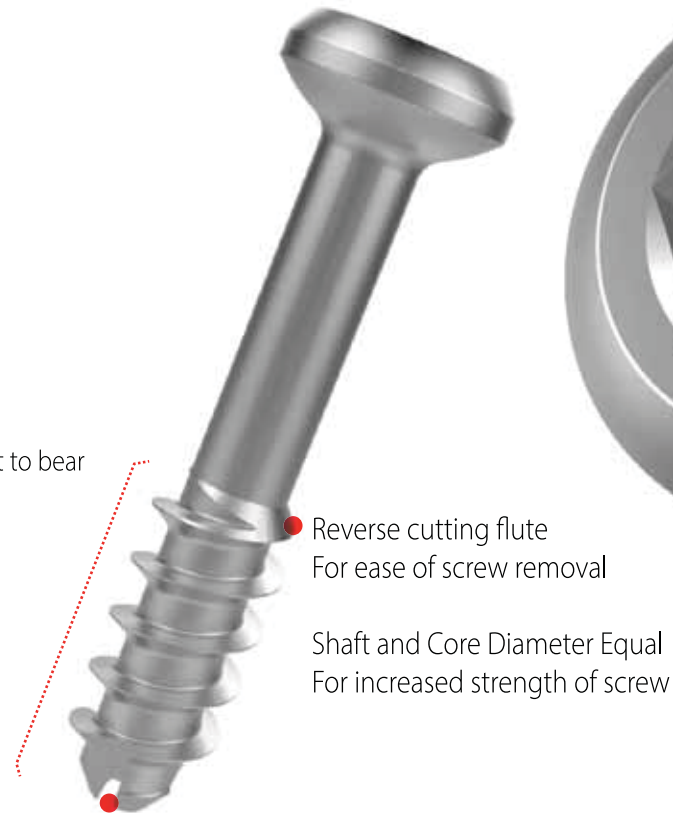
- Increased compatibility with CT and MRI
- Biocompatible, corrosion-resistant and non-toxic in a biological environment

Thread Length Choice

For best fit of distal threads into far bone fragment to bear increased interfragmentary compression.

Self-Tapping Flutes

Reduced OR time by eliminating the need for tapping.



Reverse cutting flute
For ease of screw removal

Shaft and Core Diameter Equal
For increased strength of screw

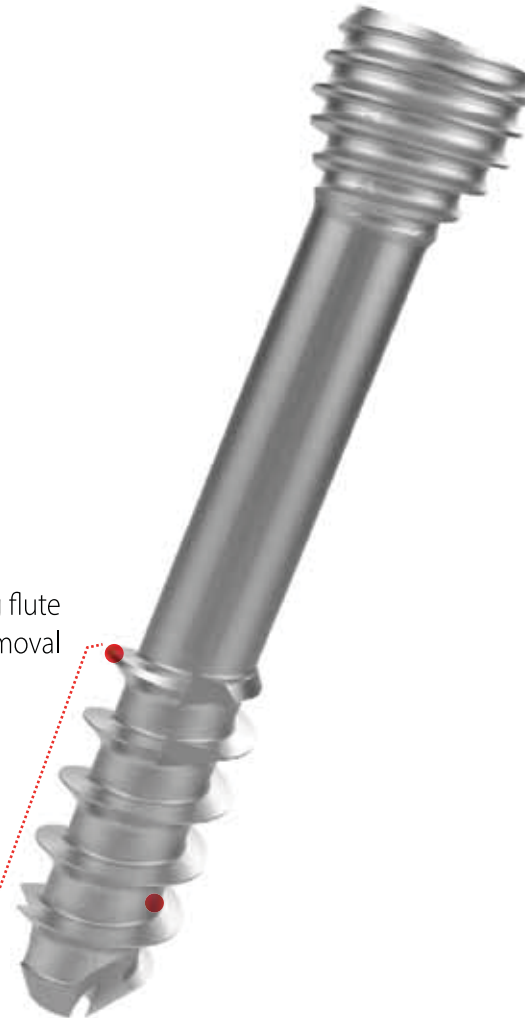
Hexa Drive Recess

- Secure connection between screw and screwdriver for excellent self-retaining
- Increased torque transmission
- Screw head diameter 4.5mm

Lowprofile Screw Head

- Reduced possibility of soft-tissue irritation

3.0 Cannulated Headless Screws



Reverse cutting flute
For ease of screw removal

Thread Length Choice
For best fit of distal threads into far bone fragment to bear increased interfragmentary compression.

Self-Tapping Flutes
Reduced OR time by eliminating the need for tapping.

Titanium Alloy Material

- Increased compatibility with CT and MRI
- Biocompatible, corrosion-resistant and non-toxic in a biological environment

● Hexa Drive Recess

- Secure connection between screw and screwdriver for excellent self-retaining
- Increased torque transmission
- Screw head diameter 3.5mm

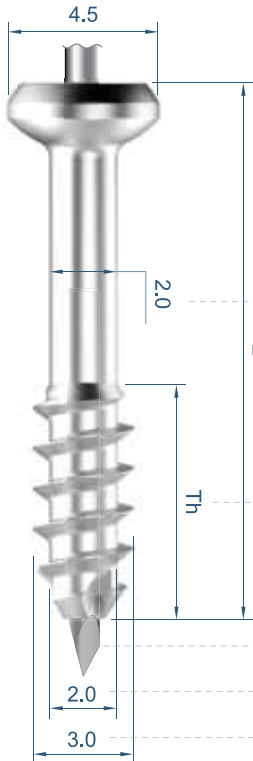
● Cutting Flutes and Double Threads on Screw Head
Facilitate countersinking of the screw head below the bone surface

Identical Pitch of Head and Shaft Threads
for controlled closure and compression of the fracture gap

Shaft and Core Diameter Equal
for increased strength of screw

Ordering Information

3.0 Cannulated Screws



2.0mm Shaft Diameter

Screw Length (L)
- 8~50mm with Short Thread
- 14~50mm with Long Thread

Thread Length (Th)
- Short Thread: 4~8mm
- Long Thread: 6~28mm
(40~56% of the screw length)

Ø1.1mm Cannulation Guide Pin

2.0mm Core Diameter

3.0mm Thread Diameter

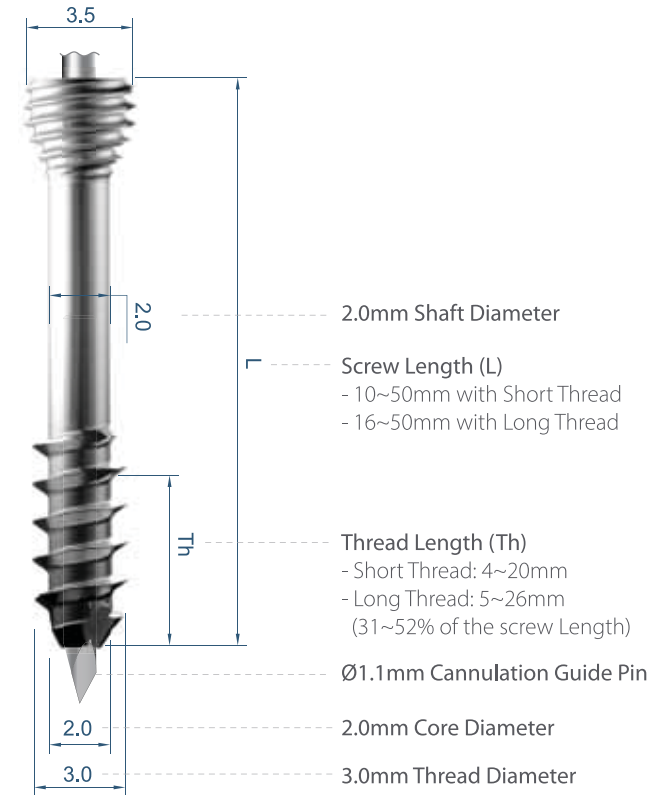
Code	Screw Head Diameter	Thread Diameter	Core Diameter	Thread Length(Th)	Screw Length (L)	Shaft Diameter
30-CS-008	4.5	3.0	2.0	4	8	2.0
30-CS-009				4	9	
30-CS-010				4	10	
30-CS-011				4	11	
30-CS-012				4	12	
30-CS-013				4	13	
30-CS-014				4	14	
30-CS-015				4	15	
30-CS-016				4	16	
30-CS-017				4	17	
30-CS-018				5	18	
30-CS-019				5	19	
30-CS-020				5	20	
30-CS-021				5	21	
30-CS-022				5	22	
30-CS-023				5	23	
30-CS-024				6	24	
30-CS-025				6	25	
30-CS-026				6	26	
30-CS-027				6	27	
30-CS-028	6	28				
30-CS-029	6	29				
30-CS-030	6	30				
30-CS-032	6	32				
30-CS-034	7	34				
30-CS-036	7	36				
30-CS-038	8	38				
30-CS-040	8	40				
30-CS-045	8	45				
30-CS-050	8	50				

Long Thread Screws

Code	Screw Head Diameter	Thread Diameter	Core Diameter	Thread Length(Th)	Screw Length (L)	Shaft Diameter
30-CS-014L	4.5	3.0	2.0	6	14	2.0
30-CS-015L				7	15	
30-CS-016L				7	16	
30-CS-017L				8	17	
30-CS-018L				8	18	
30-CS-019L				9	19	
30-CS-020L				9	20	
30-CS-021L				9	21	
30-CS-022L				10	22	
30-CS-023L				10	23	
30-CS-024L				10	24	
30-CS-025L				10	25	
30-CS-026L				12	26	
30-CS-027L				12	27	
30-CS-028L				12	28	
30-CS-029L				12	29	
30-CS-030L				14	30	
30-CS-032L				14	32	
30-CS-034L				16	34	
30-CS-036L				16	36	
30-CS-038L	18	38				
30-CS-040L	18	40				
30-CS-045L	23	45				
30-CS-050L	28	50				

Code	Screw Head Diameter	Thread Diameter	Core Diameter	Thread Length(Th)	Screw Length (L)	Shaft Diameter
30-CH-010	3.5	3.0	2.0	4	10	2.0
30-CH-011				4	11	
30-CH-012				4	12	
30-CH-013				4	13	
30-CH-014				4	14	
30-CH-015				4	15	
30-CH-016				4	16	
30-CH-017				4	17	
30-CH-018				4	18	
30-CH-019				4	19	
30-CH-020				4	20	
30-CH-021				4	21	
30-CH-022				4	22	
30-CH-023				4	23	
30-CH-024				5	24	
30-CH-025				5	25	
30-CH-026				5	26	
30-CH-027				6	27	
30-CH-028				6	28	
30-CH-029				6	29	
30-CH-030				7	30	
30-CH-032				7	32	
30-CH-034				8	34	
30-CH-036				9	36	
30-CH-038				9	38	
30-CH-040				10	40	
30-CH-045				15	45	
30-CH-050				20	50	

3.0 Cannulated Headless Screws



Long Thread Screws

Code	Screw Head Diameter	Thread Diameter	Core Diameter	Thread Length(Th)	Screw Length (L)	Shaft Diameter
30-CH-016L	3.5	3.0	2.0	5	16	2.0
30-CH-017L				6	17	
30-CH-018L				6	18	
30-CH-019L				7	19	
30-CH-020L				7	20	
30-CH-021L				8	21	
30-CH-022L				8	22	
30-CH-023L				8	23	
30-CH-024L				8	24	
30-CH-025L				8	25	
30-CH-026L				10	26	
30-CH-027L				10	27	
30-CH-028L				10	28	
30-CH-029L				10	29	
30-CH-030L				12	30	
30-CH-032L				12	32	
30-CH-034L				14	34	
30-CH-036L				14	36	
30-CH-038L				16	38	
30-CH-040L				16	40	
30-CH-045L				21	45	
30-CH-050L				26	50	

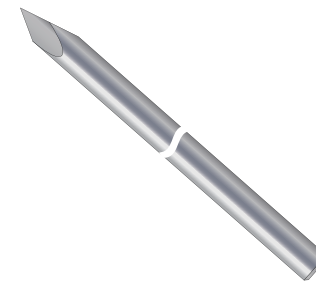
Ordering Information
Instruments of ARIX Foot 3.0
Cannulated Screw &
Cannulated Headless Screw System



111-074
ARIX Foot 3.0 Cannulated Screw System Tray



111-072
Cannulated Countersink Drill Bit



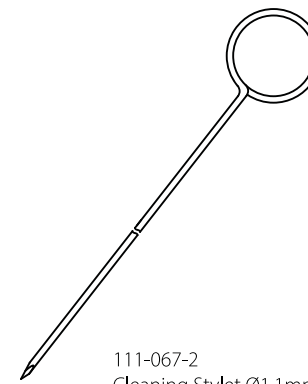
111-068-2
Guide Pin Ø1.1mm for 3.0mm Screws



111-063
Screwdriver Handle



111-064
Screw Holding Forceps



111-067-2
Cleaning Stylet Ø1.1mm



111-057
Double Drill Guide for 3.0mm Screws



111-029
Grasping Forceps



111-061
Depth Gauge for 3.0mm Screws, 0~50mm
Cannulated System Ø3.0



113-HF-603
Cannulated Screwdriver Shaft for 3.0mm Screws



112-30-601
Cannulated Drill Bit Ø2.2mm for 3.0mm Screws

Tray Configuration

ARIX Foot 3.0

Cannulated Screw & Cannulated Headless Screw System

	Code	Description	Set Quantity
1	111-074	ARIX Foot 3.0 Cannulated Screw System Tray	1
2	111-068-2	Guide Pin Ø1.1mm for 3.0mm Screws	5
3	112-30-601	Cannulated Drill Bit Ø2.2mm for 3.0mm Screws	2
4	113-HF-603	Cannulated Screwdriver Shaft for 3.0mm Screws	2
5	111-057	Double Drill Guide for 3.0mm Screws	1
6	111-063	Screwdriver Handle	2
7	111-064	Screw Holding Forceps	1
8	111-061	Depth Gauge for 3.0mm Screws, 0~50mm	1
9	111-067-2	Cleaning Stylet Ø1.1mm	1
10	111-072	Cannulated Countersink Drill Bit	1
11	111-029	Grasping Forceps	1
12	30-CS-XXX	3.0 Cannulated Screw (3 pieces per)	162
13	30-CH-XXX	3.0 Cannulated Headless Screw (3 pieces per)	150

Reference Chart - Cannulated Screws, Guide Pins, Drill Bits

	3.0 Cannulated Screw		3.0 Cannulated Headless Screw	
Head Diameter	Ø4.5mm		Ø3.5mm	
Shaft Diameter	Ø2.0mm		Ø2.0mm	
Core Diameter	Ø2.0mm		Ø2.0mm	
Thread Diameter	Ø3.0mm		Ø3.0mm	
Screw Length Range	8 ~ 50mm	14 ~ 50mm	10 ~ 50mm	16 ~ 50mm
Thread Length Range	4 ~ 8mm	6 ~ 28mm	4 ~ 8mm	5 ~ 26mm
Guide Pin	Ø1.1mm		Ø1.1mm	
Drill Bit	Ø2.2mm		Ø2.2mm	

4.5 & 6.0

ARIX Foot 4.5/6.0 Cannulated Screw System

Contents

4.5 Cannulated Screws

6.0 Cannulated Screws

Instruments

Tray Configuration

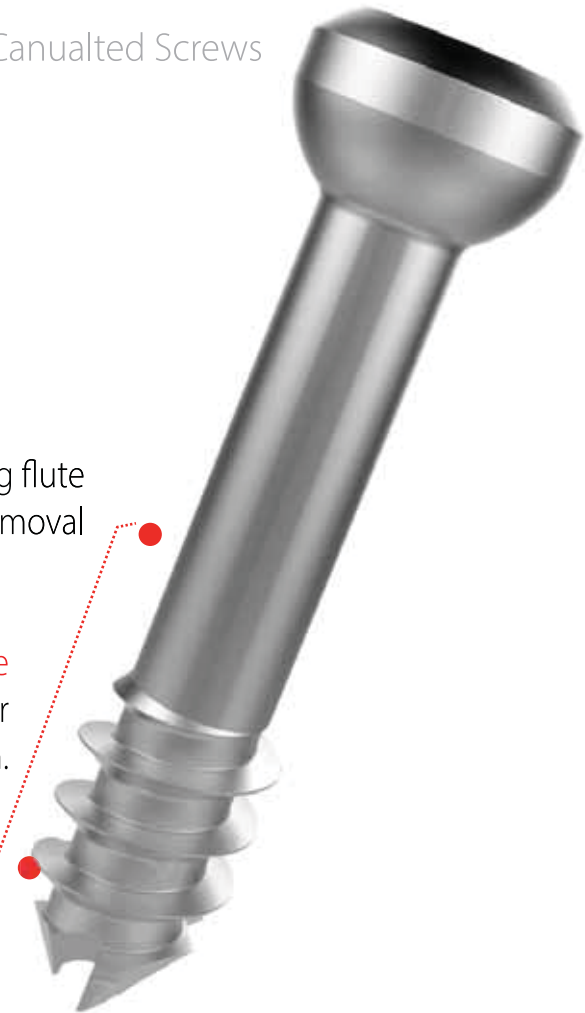
Reference Chart

4.5 & 6.0 Cannulated Screws

Reverse cutting flute
For ease of screw removal

Thread Length Choice
For best fit of distal threads into far bone fragment to bear increased interfragmentary compression.

Self-Tapping Flutes
Reduced OR time by eliminating the need for tapping.



Titanium Alloy Material

- Increased compatibility with CT and MRI
- Biocompatible, corrosion-resistant and non-toxic in a biological environment

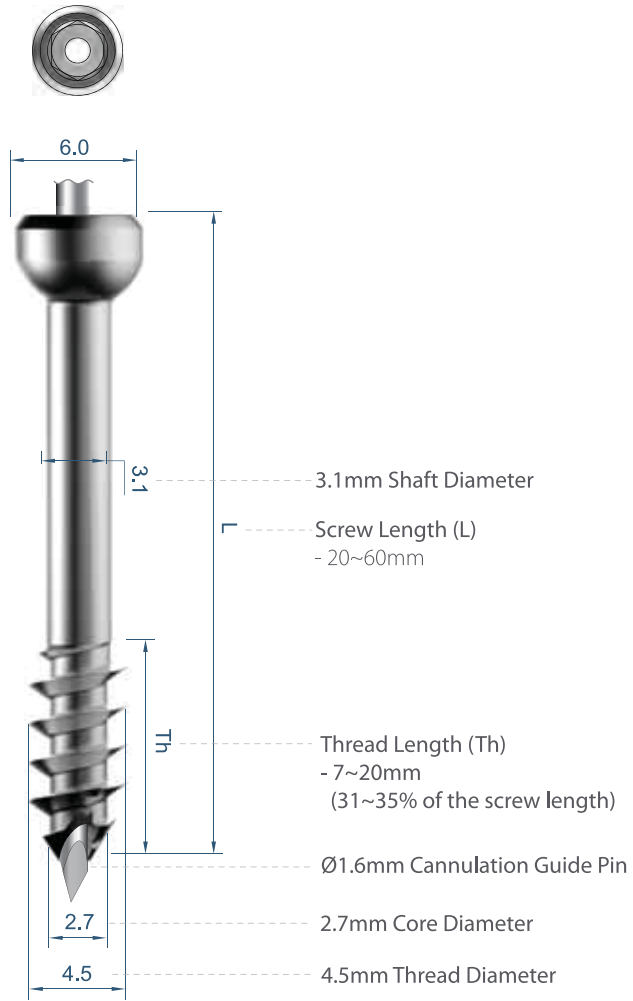


- Hexa Drive Recess

- Secure connection between screw and screwdriver for excellent self-retaining
- Increased torque transmission
- Screw head diameter :
 - 4.5 Cannulated Screw Head diameter 6.0mm
 - 6.0 Cannulated Screw Head diameter 8.0mm

- Low Profile Screw Head
Reduced possibility of soft-tissue irritation

4.5 Cannulated Screws



Code	Screw Head Diameter	Thread Diameter	Core Diameter	Thread Length(Th)	Screw Length (L)	Shaft Diameter
45-CS-020				7	20	
45-CS-022				7	22	
45-CS-024				8	24	
45-CS-026				9	26	
45-CS-028				9	28	
45-CS-030				10	30	
45-CS-032				11	32	
45-CS-034				11	34	
45-CS-036				12	36	
45-CS-038				13	38	
45-CS-040	6.0	4.5	2.7	13	40	3.1
45-CS-042				14	42	
45-CS-044				15	44	
45-CS-046				15	46	
45-CS-048				16	48	
45-CS-050				17	50	
45-CS-052				17	52	
45-CS-054				17	54	
45-CS-056				19	56	
45-CS-060				20	60	

Code	Screw Head Diameter	Thread Diameter	Core Diameter	Thread Length(Th)	Screw Length (L)	Shaft Diameter
60-CS-030				16	30	
60-CS-035				16	35	
60-CS-040				16	40	
60-CS-045				16	45	
60-CS-050				16	50	
60-CS-055	8.0	6.0	4.0	16	55	4.3
60-CS-060				16	60	
60-CS-065				16	65	
60-CS-070				16	70	
60-CS-075				16	75	
60-CS-080				16	80	

Long Thread Screw

Code	Screw Head Diameter	Thread Diameter	Core Diameter	Thread Length(Th)	Screw Length (L)	Shaft Diameter
60-CS-045L				32	45	
60-CS-050L				32	50	
60-CS-055L				32	55	
60-CS-060L	8.0	6.0	4.0	32	60	4.3
60-CS-065L				32	65	
60-CS-070L				32	70	
60-CS-075L				32	75	
60-CS-080L				32	80	

6.0 Cannulated Screws



8.0



- 4.3mm Shaft Diameter
- Screw Length (L)
 - 30~80mm with Short Thread
 - 45~80mm with Long Thread
- Thread Length (Th)
 - Short Thread: 16mm
 - Long Thread: 32mm
- Ø2.0mm Cannulation Guide Pin
- 4.0mm Core Diameter
- 6.0mm Thread Diameter

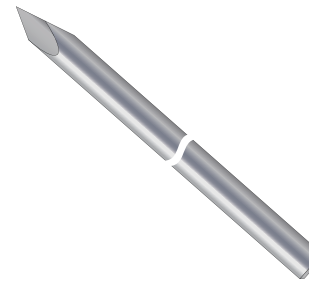
Ordering Information
Instruments of ARIX Foot 4.5/6.0
Cannulated Screw System



111-073
ARIX Foot 4.5/6.0 Cannulated Screw System Tray



111-072
Cannulated Countersink Drill Bit



111-068-3
Guide Pin Ø1.6mm for 4.5mm Screws
111-068-4
Guide Pin Ø2.0mm for 6.0mm Screws



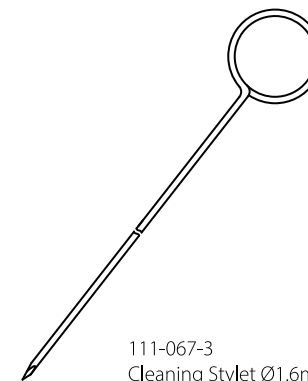
111-069-1
Compression Washer for Ø4,5mm Screws
111-069-2
Compression Washer for Ø6.0mm Screws



111-063
Screwdriver Handle



111-064
Screw Holding Forceps



111-067-3
Cleaning Stylet Ø1.6mm
111-067-4
Cleaning Stylet Ø2.0mm

Ordering Information
Instruments of ARIX Foot 4.5/6.0
Cannulated Screw System



111-058
Double Drill Guide for 4.5mm Screws



111-059
Double Drill Guide for 6.0mm Screws



111-029
Grasping Forceps



111-062
Depth Gauge for 4.5/6.0mm Screws, 0~80mm



112-45-601
Cannulated Drill Bit Ø3.5mm for Ø4.5mm Screws



112-60-601
Cannulated Drill Bit Ø4.8mm for 6.0mm Screws



JEIL 113-HF-604
113-HF-604
Cannulated Screwdriver Shaft for 4.5mm Screws



JEIL 113-HF-605
113-HF-605
Cannulated Screwdriver Shaft for 6.0mm Screws

Tray Configuration

ARIX Foot 4.5/6.0 Cannulated Screw System

	Code	Description	Set Quantity
1	111-073	ARIX Foot 4.5/6.0 Screw System Tray	1
2	111-068-3	Guide Pin Ø1.6mm for 4.5mm Screws	3
3	111-068-4	Guide Pin Ø2.0mm for 6.0mm Screws	3
4	112-45-601	Cannulated Drill Bit Ø3.5mm for 4.5mm Screws	2
5	112-60-601	Cannulated Drill Bit Ø4.8mm for 6.0mm Screws	2
6	113-HF-604	Cannulated Screwdriver Shaft for 4,5mm Screws	2
7	113-HF-605	Cannulated Screwdriver Shaft for 6.0mm Screws	2
8	111-069-1	Compression Washer for 4,5mm Screws	3
9	111-069-2	Compression Washer for 6.0mm Screws	3
10	111-058	Drill Guide for 4.5mm Screws	1
11	111-059	Drill Guide for 6.0mm Screws	1
12	111-063	Screwdriver Handle	2
13	111-064	Screw Holding Forceps	1
14	111-062	Depth Gauge for 4.5/6.0 Screws, 0~80mm	1
15	111-067-3	Cleaning Stylet Ø1.6mm	1
16	111-067-4	Cleaning Stylet Ø2.0mm	1
17	111-072	Cannulated Countersink Drill Bit	1
18	111-029	Grasping Forceps	1
19	45-CS-XXX	4.5 Cannulated Screw (3 pieces Per)	60
20	60-CS-XXX	6.0 Cannulated Screw (3 pieces Per)	57

Reference Chart - 4.5/6.0 Cannulated Screws, Guide Pins, Drill Bits

	4.5 Cannulated Screw	6.0 Cannulated Screw	
Head Diameter	Ø6.0mm	Ø8.0mm	
Shaft Diameter	Ø3.1mm	Ø4.3mm	
Core Diameter	Ø2.7mm	Ø4.0mm	
Thread Diameter	Ø4.5mm	Ø6.0mm	
Screw Length Range	20 ~ 60mm	30 ~ 80mm	45 ~ 80mm
Thread Length Range	7 ~ 20mm	16mm	32mm
Guide Pin	Ø1.6mm	Ø2.0mm	
Drill Bit	Ø3.5mm	Ø4.8mm	

2.8 & 3.5

ARIX Foot 2.8/3.5 Locking Plate System

Screws

- 2.8 Locking Bone Screws
- 2.8 Cortical Bone Screws
- 3.5 Locking Bone Screws
- 3.5 Cortical Bone Screws

Plates

- 2.8 Plates
- 3.5 Calcaneus Plates

Instruments

- Tray Configuration



Comprehensive Locking and Non-Locking System
Each hole of ARIX Foot plates accepts locking and non-locking screws



Variable Angle Locking
Every screw hole in the ARIX Foot Plates except the compression slots allows 10° off-axis screw angulation in all directions.
Locking screws can be angled and locked up to 10° off-axis in each direction for a total range of 20°.
Each plate can accommodate a variety of locking or non-locking screws in various angles for creation of customized, multi directional locked plating constructs.



ARIX Foot plate with rounded edges is designed to ensure low profile fixation to minimize soft tissue irritation. All screws in ARIX Foot system are designed for minimal screw head prominence when inserted at angles up to 10° to reduce the potential for soft tissue irritation.



Many of the ARIX FOOT plates incorporate a compression slot(s) used to assist in compression of fractures or fusions. The act of inserting a ARIX Foot Screw into the oval compression hole creates compression by causing the screw to glide into the compression slot.



Screw head HexDrive recess

- Secure connection between screw and screwdriver for excellent self-retaining
- Increased Torque transmission from the screwdriver to the screw and reduce the potential for screw head stripping.



Locking Bone Screw

- Hexa Drive Recess for secure retention and torque transmission
- Low Profile Screw Head for Less Palpability
- Self-Tapping Flute
- 10° Variable Angle Locking System
- Ø2.8mm Locking Screws for Mid-foot
- Ø3.5mm Locking Screws for Calcaneus Bone
- Titanium Alloy Material



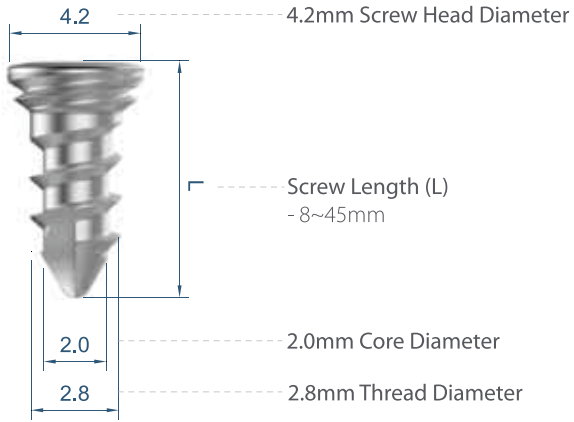
Cortical Bone Screw

- Hexa Drive Recess for secure retention and torque transmission
- Low Profile Screw Head for Less Palpability
- Self-Tapping Flute
- Ø2.8mm Locking Screws for Mid-foot
- Ø3.5mm Locking Screws for Calcaneus Bone
- Titanium Alloy Material

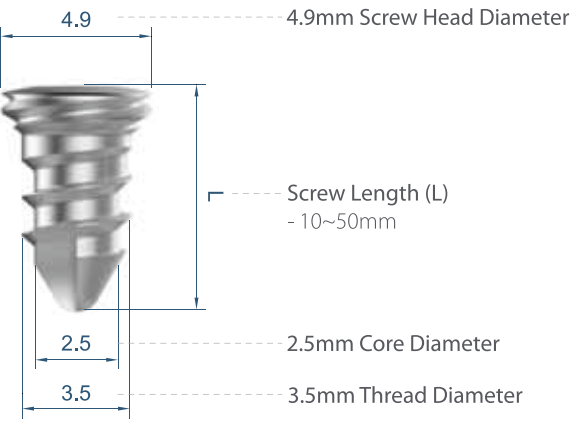
Ordering Information



2.8 Locking Bone Screw



3.5 Locking Bone Screw

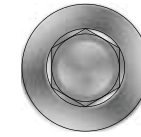


Code	Screw Head Diameter	Core Diameter	Thread Diameter	Screw Length (L)
28L-HF-008				8
28L-HF-010				10
28L-HF-012				12
28L-HF-014				14
28L-HF-016				16
28L-HF-018				18
28L-HF-020				20
28L-HF-022				22
28L-HF-024	4.2	2.0	2.8	24
28L-HF-026				26
28L-HF-028				28
28L-HF-030				30
28L-HF-032				32
28L-HF-034				34
28L-HF-036				36
28L-HF-038				38
28L-HF-040				40
28L-HF-045				45

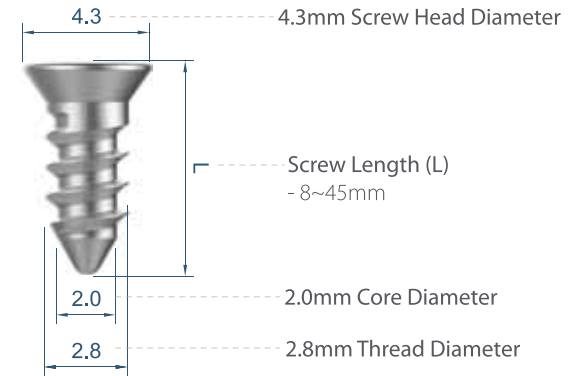
Code	Screw Head Diameter	Core Diameter	Thread Diameter	Screw Length (L)
35L-HF-010				10
35L-HF-012				12
35L-HF-014				14
35L-HF-016				16
35L-HF-018				18
35L-HF-020				20
35L-HF-022				22
35L-HF-024	4.9	2.5	3.5	24
35L-HF-028				28
35L-HF-032				32
35L-HF-036				36
35L-HF-040				40
35L-HF-045				45
35L-HF-050				50

Code	Screw Head Diameter	Core Diameter	Thread Diameter	Screw Length (L)
28-FC-008	4.3	2.0	2.8	8
28-FC-010				10
28-FC-012				12
28-FC-014				14
28-FC-016				16
28-FC-018				18
28-FC-020				20
28-FC-022				22
28-FC-024				24
28-FC-026				26
28-FC-028				28
28-FC-030				30
28-FC-032				32
28-FC-034				34
28-FC-036				36
28-FC-038				38
28-FC-040				40
28-FC-045				45

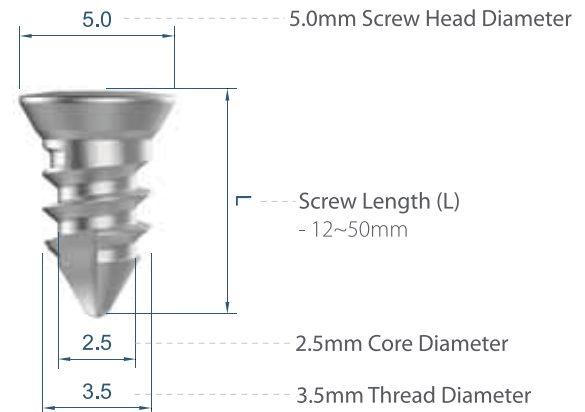
Code	Screw Head Diameter	Core Diameter	Thread Diameter	Screw Length (L)
35-FC-010	5.0	2.5	3.5	10
35-FC-012				12
35-FC-014				14
35-FC-016				16
35-FC-018				18
35-FC-020				20
35-FC-022				22
35-FC-024				24
35-FC-028				28
35-FC-032				32
35-FC-036				36
35-FC-040				40
35-FC-045				45
35-FC-050				50



2.8 Cortical Bone Screw



3.5 Cortical Bone Screw





F28-ST-002

Straight Plate, 2Holes
Blue, 1.6t

2.8mm Double compression Straight Plates

- Fracture of the diaphysis of the 5th metatarsal (Jones fracture)
- Calcaneocuboid fusion
- Rounded edges to reduce the potential for soft tissue irritation
- Pre-contoured plate design
- 1.6mm thickness



F28-ST-102

Straight Plate, 2Holes
Blue, 1.6t



F28-ST-004

Straight Plate, 4Holes
Blue, 1.6t

2.8mm Metatarsal fracture plates

- Designed for use in metatarsal fractures or osteotomies
- TMT fusion, Lateral column lengthening
- Compression slots for compression of fractures
- Rounded edges to reduce the potential for soft tissue irritation
- Pre-contoured plate design
- 1.6mm thickness



F28-ST-005

Straight Plate, 5Holes
Blue, 1.6t



F28-ST-006

Straight Plate, 6Holes
Blue, 1.6t



F28-TP-007

T type plate, 7Holes
Blue, 1.6t



F28-TP-006

T type plate, 6Holes
Blue, 1.6t



F28-GR-007

T type plate, 7Holes
Blue, 1.6t



F28-GR-008

T type plate, 8Holes
Blue, 1.6t



F28-TP-009

T type plate, 9Holes
Blue, 1.6t



2.8mm Metatarsocuneiform plates

- 2nd and 3rd TMT Fusion Plates
- Lisfranc dislocation/fracture/arthrodesis, Lapidus, MTP fusion
- Compression slot to compress the metatarsal and cuneiform
- 1.6mm thickness

2.8mm 1st Metatarsal plates

- Designed for use in metatarsal fractures or osteotomies
- Rounded edges to reduce the potential for soft tissue irritation
- Pre-contoured plate design
- 1.6mm thickness

2.8mm Cuboid fracture plates

- Lisfranc arthrodesis
- Easy bending and contouring plate design for anatomic fit
- Left and right plates
- 1.3mm and 1.6mm thicknesses



F28-HP-010

H type plate, 10Holes
Blue, 1.3t



F28-HL-009

H type plate, 9Holes
Blue, 1.6t



F28-HR-009

H type plate, 9Holes
Blue, 1.6t



F28-HL-109

H type plate, 9Holes
Blue, 1.6t



F28-HR-109

H type plate, 9Holes
Blue, 1.6t



F35-CR-012-13

Small Calcaneus plate, 12Holes
Blue, 1.3t

F35-CR-012-16

Small Calcaneus plate, 12Holes
Blue, 1.6t



F35-CL-012-13

Small Calcaneus plate, 12Holes
Blue, 1.3t

F35-CL-012-16

Small Calcaneus plate, 12Holes
Blue, 1.6t



F35-CR-112-13

Large Calcaneus plate, 12Holes
Blue, 1.3t

F35-CR-112-16

Large Calcaneus plate, 12Holes
Blue, 1.6t



F35-CL-112-13

Large Calcaneus plate, 12Holes
Blue, 1.3t

F35-CL-112-16

Large Calcaneus plate, 12Holes
Blue, 1.6t



F35-CR-009

Calcaneus plate, 9Holes
Blue, 1.6t



F35-CL-009

Calcaneus plate, 9Holes
Blue, 1.6t

3.5mm Calcaneus Fracture Plates

- Easy bending and contouring plate design for anatomic fit
- Compression holes to assist in compression of fractures
- Multiple screw holes to address complex fractures of the calcaneus
 - Temporary pinning hole
 - Left and right plates
- 1.3mm and 1.6mm thickness options

Ordering Information
Instruments of ARIX Foot 2.8 / 3.5
Locking Plate System



111-075
ARIX Foot 2.8/3.5 Locking Plate System Tray



111-070
Drill Guide Sleeve for 2.8mm Screws



111-073
Drill Guide Sleeve for Variable angle 2.8mm Screws



111-071
Drill Guide Sleeve for 3.5mm Screws



111-074
Drill Guide Sleeve for Variable angle 3.5mm Screws



111-063
Screwdriver Handle



111-055
Drill Guide for 2.8mm Screws



111-056
Drill Guide for 3.5 Screws



111-060
Compression Drill Guide for 2.8/3.5 Plates



111-065
Plate Bender, Left



111-065-1
Plate Bender, Right

Plate Bener

Excellent anatomic fit hand grip
Proper size body for plate bending
Grooves for various thickness plates



111-066
Depth Gauge for 2.8/3.5mm Screws



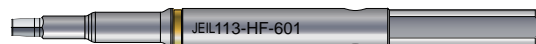
111-029
Grasping Forceps



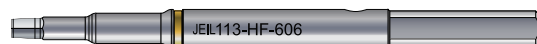
112-28-601-L
Drill Bit for 2.8mm Lag Screw Technique



112-35-601-L
Drill Bit for 3.5mm Lag Screw Technique



113-HF-601
Screwdriver Shaft for 2.8mm Screws



113-HF-606
Screwdriver Shaft for 3.5mm Screws



112-28-601
Drill Bit for 2.8mm Screws



112-35-601
Drill Bit for 3.5mm Screws

Instruments

Code	Description	Set Quantity
111-075	ARIX Foot 2.8, 3.5 Plating System Tray	1
112-28-601	Drill Bit for 2.8mm Screws	2
112-35-601	Drill Bit for 3.5mm Screws	2
112-28-601-L	Drill Bit for 2.8mm Lag Screw Technique	1
112-35-601-L	Drill Bit for 3.5mm Lag Screw Technique	1
111-070	Drill Guide Sleeve for 2.8mm Screws	1
111-071	Drill Guide Sleeve for 3.5mm Screws	1
111-073	Drill Guide Sleeve for Variable angle 2.8mm Screws	1
111-074	Drill Guide Sleeve for Variable angle 3.5mm Screws	1
111-063	Screwdriver Handle	2
111-066	Depth Gauge for 2.8/3.5mm Screws	1
111-065	Plate Bender, Left	1
111-065-1	Plate Bender, Right	1
113-HF-601	Screwdriver Shaft for 2.8mm Screws	1
113-HF-606	Screwdriver Shaft for 3.5mm Screws	1
111-055	Drill Guide for 2.8mm Screws	1
111-056	Drill Guide for 3.5mm Screws	1
111-060	Compression Drill Guide for 2.8/3.5 Plates	1
111-029	Grasping Forceps	1

Implants _ Screws

Code	Description	Set Quantity
28-FC-XXX	2.8mm Cortical Bone Screw	90
28L-HF-XXX	2.8mm Bone Screw	90
35-FC-XXX	3.5mm Cortical Bone Screw	70
35L-HF-XXX	3.5mm Bone Screw	70

Implants _ Plates

Code	Description	Set Quantity
F28-ST-002	Straight Plate, 2 Holes, Blue, 1.6T, Short	3
F28-ST-102	Straight Plate, 2 Holes, Blue, 1.6T, Long	3
F28-ST-004	Straight Plate, 4 Holes, Blue, 1.6T	3
F28-ST-005	Straight Plate, 5 Holes, Blue, 1.6T	3
F28-ST-006	Straight Plate, 6 Holes, Blue, 1.6T	3
F28-TP-006	T Plate, 6 Holes, Blue, 1.6T	3
F28-TP-007	T Plate, 7 Holes, Blue, 1.6T	3
F28-GR-007	Grid Plate, 7 Holes, Blue, 1.6T	3
F28-GR-008	Grid Plate, 8 Holes, Blue, 1.6T	3
F28-GR-009	Grid Plate, 9 Holes, Blue, 1.6T	3
F28-HP-010	H Plate, 10 Holes, Blue, 1.3T	3
F28-HL-009	H Plate, 9 Holes, Blue, 1.3T, Left, Small	3
F28-HR-009	H Plate, 9 Holes, Blue, 1.3T, Right, Small	3
F28-HL-109	H Plate, 9 Holes, Blue, 1.3T, Left, Large	3
F28-HR-109	H Plate, 9 Holes, Blue, 1.3T, Right, Large	3
F35-CL-012(112)-13	Calcaneus Plate, 12 Holes, Blue, 1.3T, Left	2
F35-CR-012(112)-13	Calcaneus Plate, 12 Holes, Blue, 1.3T, Right	2
F35-CL-009	Calcaneus Plate, 9 Holes, Blue, 1.6T, Left	2
F35-CR-009	Calcaneus Plate, 9 Holes, Blue, 1.6T, Right	2



ARIX FOOT

SYSTEMS



Head Office



*www.jeilmed.co.kr
global@jeilmed.co.kr*

*#702 Kolon Science Valley 2nd , 55,
Digital-ro 34(Previously 811, Guro-Dong),
Guro-Gu, Seoul, 152-050, Korea*

*Tel : 82.2.850.3504
Fax : 82.2.850.3537*
