

Customer

Date

Phone

Email

Address

Seat dimensions :

- I : Seat width Small Medium Medium+ Large XLarge
- D : Seat height Low High Ultra high Special, see comment
- A : Wheel size 559 590 622 584
- B : Castors 4 » 5 »
- E : Seat depth cm
- F : Back height cm

Color choice :

- RAL : Frame

Color Choice Components:

- Black: Fork Brake Wheel clamp Foot holder clamp
- Blue: Fork Brake Wheel clamp Foot holder clamp
- Red: Fork Brake Wheel clamp Foot holder clamp

Bucket trim :

- Black White Blue

Accessories : Additional cost :

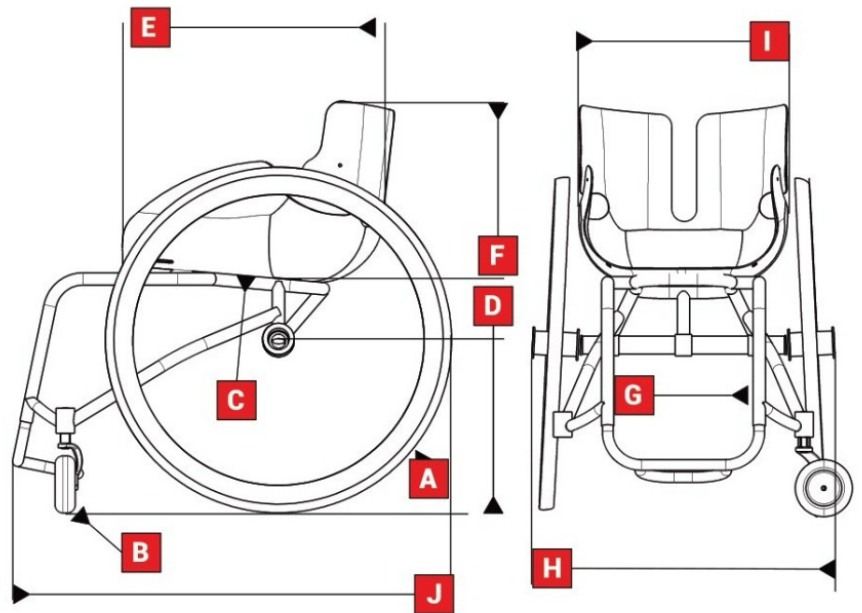
Push handle	<input type="checkbox"/>	\$295
Anti-tip protection	<input type="checkbox"/>	\$250
QR seat	<input type="checkbox"/>	\$650
Friction drive ring	<input type="checkbox"/>	\$250
Foot holder cover	<input type="checkbox"/>	\$175
	<input type="checkbox"/>	

**Tire selection (subject to availability):**

559	<input type="checkbox"/> Schwalbe One	<input type="checkbox"/> Marathon Plus	<input type="checkbox"/> Schwalbe Rightrun gray
590	<input type="checkbox"/> Schwalbe Rightrun Black	<input type="checkbox"/> Marathon Plus	<input type="checkbox"/> Schwalbe Rightrun gray
622	<input type="checkbox"/> Marathon+	<input type="checkbox"/>	
	<input type="checkbox"/> CX Pro		

Måttkod Z-LINE

- A :** Wheel size
- B :** Castors
- C :** Seat angle
- D :** Seat height
- And:** Seat depth
- F :** Back height
- G :** Foot holder width
- H :** Total width
- I :** Seat width
- J :** Total length of seat



Dimensions guide

Model name

Part

D

G

H

I

J

Model name	Part #	D	G	H	I	J
Z-Line SL5	7350000250770	425	220	550	345	780
Z-Line SL6	7350000251012	440	220	560	345	795
Z-Line SH5	7350000251029	440	220	550	345	780
Z-Line SH6	7350000251036	455	220	560	345	795
Z-Line SU6	7350000251210	470	220	560	345	795
Z-Line SU8	7350000251227	485	220	560	345	810
Z-Line ML5	7350000251005	425	240	590	365	780
Z-Line ML6	7350000251043	440	240	590	365	795
Z-Line MH5	7350000251050	440	240	590	365	780
Z-Line MH6	7350000251067	455	240	590	365	795
Z-Line MU6	7350000251234	470	240	590	365	795
Z-Line MU8	7350000251241	485	240	590	365	810
Z-Line M+L5	7350000251258	425	240	605	385	780
Z-Line M+L6	7350000251265	440	240	605	385	795
Z-Line M+H5	7350000251272	440	240	605	385	780
Z-Line M+H6	7350000251289	455	240	605	385	795
Z-Line M+U6	7350000251296	470	240	605	385	795
Z-Line M+U8	7350000251302	485	240	605	385	810
Z-Line LL5	7350000251074	425	260	625	400	780

Z-Line LL6	7350000251081	440	260	625	400	795
Z-Line LH5	7350000251098	440	260	625	400	780
Z-Line LH6	7350000251104	455	260	625	400	795
Z-Line LU6	7350000251319	470	260	625	400	795
Z-Line LU8	7350000251197	485	260	625	400	810
Z-Line XLL5	7350000251333	425	280	655	430	780
Z-Line XLL6	7350000251340	440	280	655	430	795
Z-Line XLH5	7350000251357	440	280	655	430	780
Z-Line XLH6	7350000251364	455	280	655	430	795
Z-Line XLU6	7350000251371	470	280	655	430	795
Z-Line XLU8	7350000251388	485	280	655	430	810