

Customer

Date

Phone

E-mail

Address

Dimensions :

- | | | | | | |
|------------------------|----------------------------------|----------------------------------|------------------------------------|---------------------------------|---------------------------------|
| I : Seat width | <input type="checkbox"/> Small | <input type="checkbox"/> Medium | <input type="checkbox"/> Medium+ | <input type="checkbox"/> Large | <input type="checkbox"/> XLarge |
| D : Seat height | <input type="checkbox"/> Low | <input type="checkbox"/> High | <input type="checkbox"/> Ultrahigh | <input type="checkbox"/> Custom | |
| A : Wheel size | <input type="checkbox"/> 559 25" | <input type="checkbox"/> 590 26" | <input type="checkbox"/> 622 28" | | |
| B : Castor size | <input type="checkbox"/> 4' inch | <input type="checkbox"/> 5" inch | | | |
| E : Seat depth | | | | | |
| F : Back height | | | | | |

Color Options :

- RAL #:** Frame Pushring

Component color :

- | | | | | |
|----------------|-------------------------------|---------------------------------|--------------------------------------|-------------------------------------|
| Black : | <input type="checkbox"/> Fork | <input type="checkbox"/> Brakes | <input type="checkbox"/> Wheel clamp | <input type="checkbox"/> Foot clamp |
| Blue: | <input type="checkbox"/> Fork | <input type="checkbox"/> Brakes | <input type="checkbox"/> Wheel clamp | <input type="checkbox"/> Foot clamp |
| Red : | <input type="checkbox"/> Fork | <input type="checkbox"/> Brakes | <input type="checkbox"/> Wheel clamp | <input type="checkbox"/> Foot clamp |

Trim color :

- Black White Blue

Accessories :

- | | |
|------------------------|--------------------------|
| Push Handle | <input type="checkbox"/> |
| Anti Tip | <input type="checkbox"/> |
| QR Carbon Bucket | <input type="checkbox"/> |
| Push Ring Grip | <input type="checkbox"/> |
| Carbon fiber footplate | <input type="checkbox"/> |



TIARROW USA

270 Cobb Parkway South
Suite 140, #485
Marietta, GA 30060

E-mail : Ryan@tiarrowusa.com
+1(404) 574-1995 USA / +66 93 112 7268 Thai

Tire Selection :

559

590

622

Schwalbe One

Schwalbe Rightrun Gray

Schwalbe Rightrun

Schwalbe Rightrun Gray

Vittorai Zaffiro

Vittoria Rubino control

Vittoria Rubino endurance

Comments :

TIARROW USA

270 Cobb Parkway South
Suite 140, #485

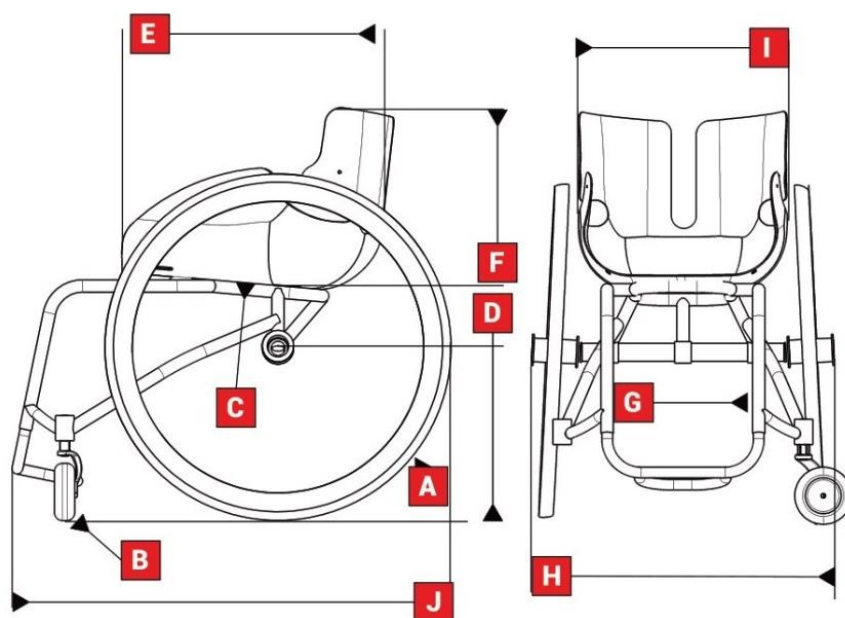
Marietta, GA 30060

E-mail : Ryan@tiarrowusa.com

+1(404) 574-1995 USA / +66 93 112 7268 Thai

Dimension codes Z-LINE

- A :** Wheel size
- B :** Caster size
- C :** Seat angle
- D :** Seat height
- E :** Seat depth
- F :** Back height
- G :** Knee width
- H :** Total chair width
- I :** Seat width
- J :** Overall length



Measurement Guide (inches)

Product code	Article #	D	G	H	I	J
Z-Line SL5	7350000250770	16.3	8.7	21.7	13.6	30.7
Z-Line SL6	7350000251012	16.9	8.7	22.0	13.6	31.3
Z-Line SH5	7350000251029	16.9	8.7	21.7	13.6	30.7
Z-Line SH6	7350000251036	17.5	8.7	22.0	13.6	31.3
Z-Line SU6	7350000251210	18.1	8.7	22.0	13.6	31.3
Z-Line SU8	7350000251227	18.7	8.7	22.0	13.6	31.9
Z-Line ML5	7350000251005	16.3	9.4	23.2	14.4	30.7
Z-Line ML6	7350000251043	16.9	9.4	23.2	14.4	31.3
Z-Line MH5	7350000251050	16.9	9.4	23.2	14.4	30.7
Z-Line MH6	7350000251067	17.5	9.4	23.2	14.4	31.3
Z-Line MU6	7350000251234	18.1	9.4	23.2	14.4	31.3
Z-Line MU8	7350000251241	18.7	9.4	23.2	14.4	31.9
Z-Line M+L5	7350000251258	16.3	9.4	23.8	15.2	30.7
Z-Line M+L6	7350000251265	16.9	9.4	23.8	15.2	31.3
Z-Line M+H5	7350000251272	16.9	9.4	23.8	15.2	30.7
Z-Line M+H6	7350000251289	17.5	9.4	23.8	15.2	31.3
Z-Line M+U6	7350000251296	18.1	9.4	23.8	15.2	31.3
Z-Line M+U8	7350000251302	18.7	9.4	23.8	15.2	31.9
Z-Line LL5	7350000251074	16.3	10.2	24.6	15.8	30.7
Z-Line LL6	7350000251081	16.9	10.2	24.6	15.8	31.3
Z-Line LH5	7350000251098	16.9	10.2	24.6	15.8	30.7
Z-Line LH6	7350000251104	17.5	10.2	24.6	15.8	31.3

TIARROW USA

270 Cobb Parkway South
Suite 140, #485
Marietta, GA 30060

E-mail : Ryan@tiarrowusa.com
+1(404) 574-1995 USA / +66 93 112 7268 Thai

Z-Line LU6	7350000251319	18.1	10.2	24.6	15.8	31.3
Z-Line LU8	7350000251197	18.7	10.2	24.6	15.8	31.9
Z-Line XLL5	7350000251333	16.3	11.0	25.8	16.9	30.7
Z-Line XLL6	7350000251340	16.9	11.0	25.8	16.9	31.3
Z-Line XLH5	7350000251357	16.9	11.0	25.8	16.9	30.7
Z-Line XLH6	7350000251364	17.5	11.0	25.8	16.9	31.3
Z-Line XLU6	7350000251371	18.1	11.0	25.8	16.9	31.3
Z-Line XLU8	7350000251388	18.7	11.0	25.8	16.9	31.9

TIARROW USA

270 Cobb Parkway South
Suite 140, #485
Marietta, GA 30060

E-mail : Ryan@tiarrowusa.com
+1(404) 574-1995 USA / +66 93 112 7268 Thai