

1

2

3

4

5

6

RevNo

Revision note

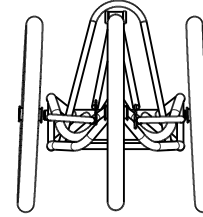
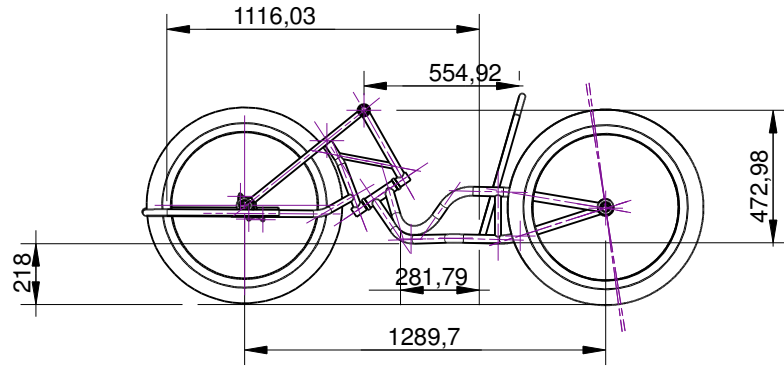
Date

Signature

Checked

A

A

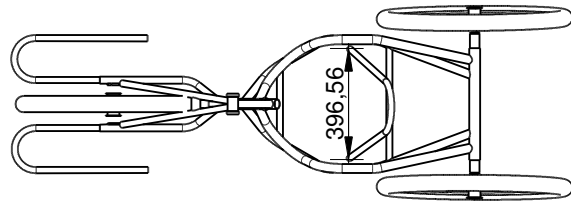


B

B

C

C



D

D

Itemref	Quantity	Title/Name, designation, material, dimension etc			Article No./Reference	
Drawn by		Checked by	Approved by - date	File name	Date	Scale 1:1
				Edition		
				Sheet 1 av 1		

1

2

3

4

5

6